



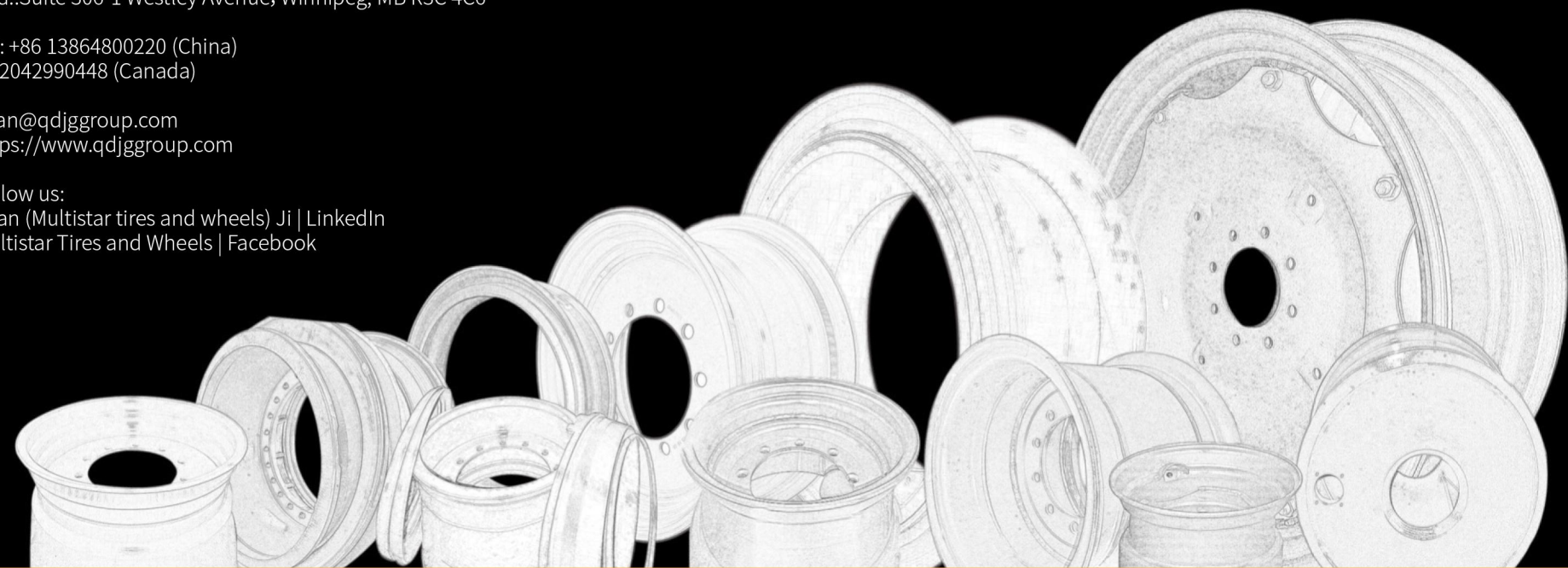
Qingdao J & G International Trading Co., Ltd
Add. :Room 3-B-1004, Hisense Powerise Valley, No. 20, Zhuzhou road, Qingdao, China. 266100.

Multistar International Canada INC.
Add.:Suite 306-1 Westley Avenue, Winnipeg, MB R3C 4C6

Tel: +86 13864800220 (China)
+1 2042990448 (Canada)

dean@qdjgroup.com
<https://www.qdjgroup.com>

Follow us:
Dean (Multistar tires and wheels) Ji | LinkedIn
Multistar Tires and Wheels | Facebook



distributor



Wheels & Rims

2023 Version

Multi-piece OTR wheels and components

Agricultural farm wheels

Commercial truck/bus and trailer wheels

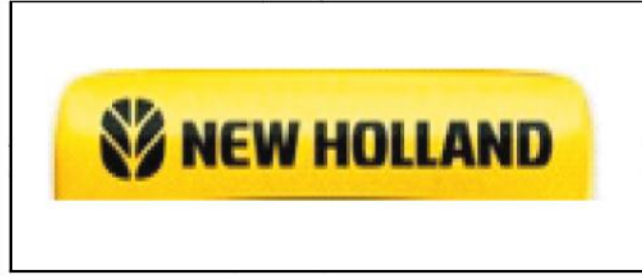
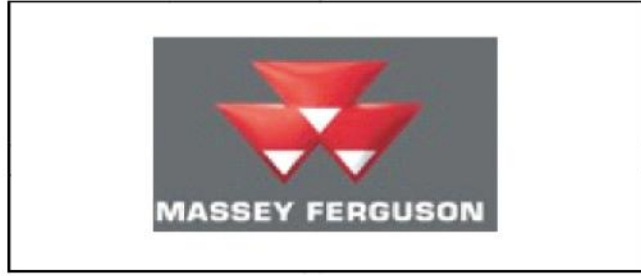
Industrial and forklift wheels

Forged alloy truck wheels

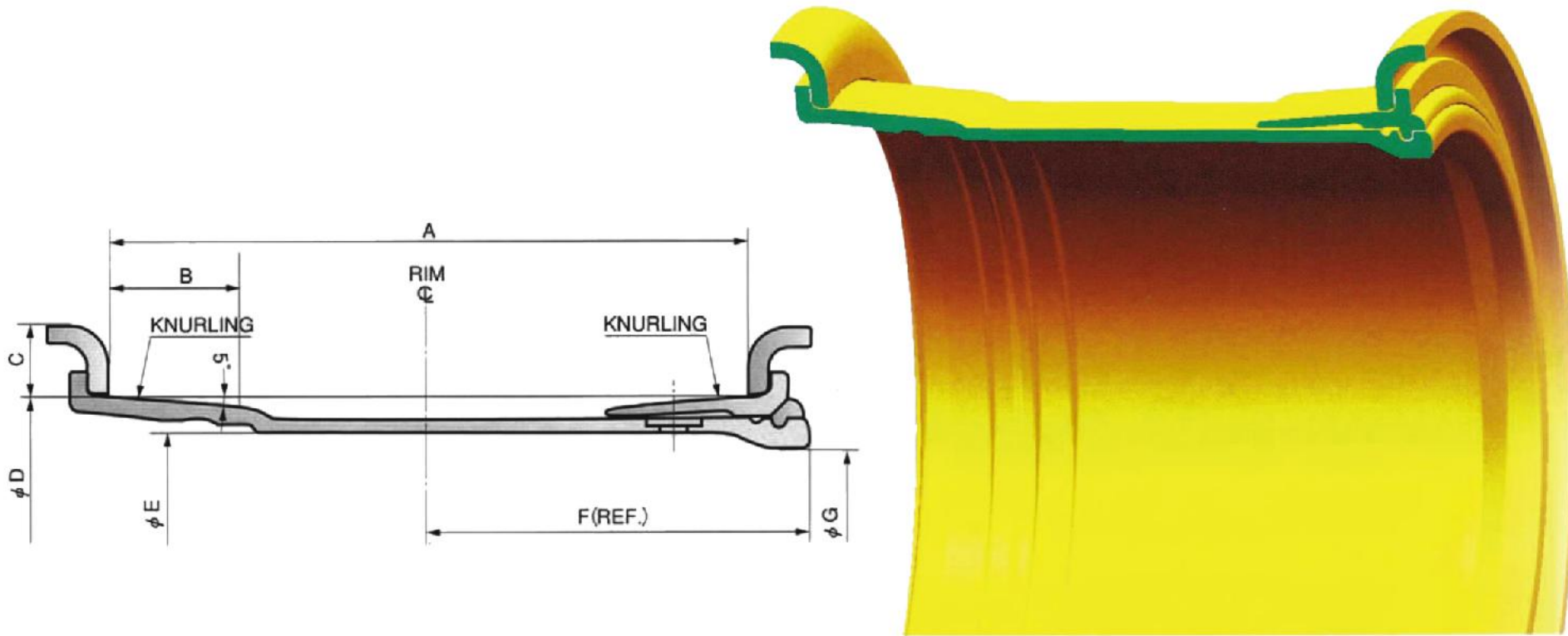
Small Trailer wheels

Special applications wheels

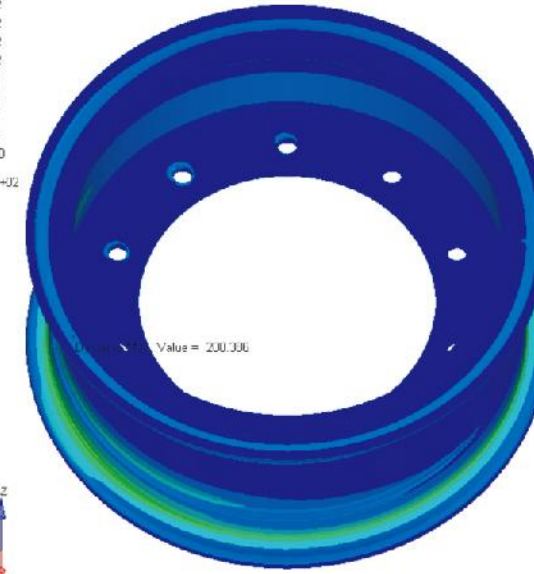




SUPPLY TO GLOBAL MOST RESPECTED "OE" MANUFACTURES

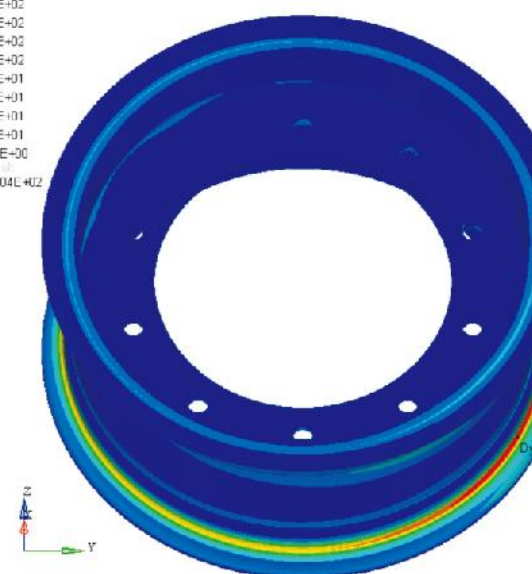


Principal Stress/MPa
 2.004E+02
 1.780E+02
 1.655E+02
 1.331E+02
 1.107E+02
 8.035E+01
 6.035E+01
 4.340E+01
 2.098E+01
 1.448E+00
 Max = 2.004E+02

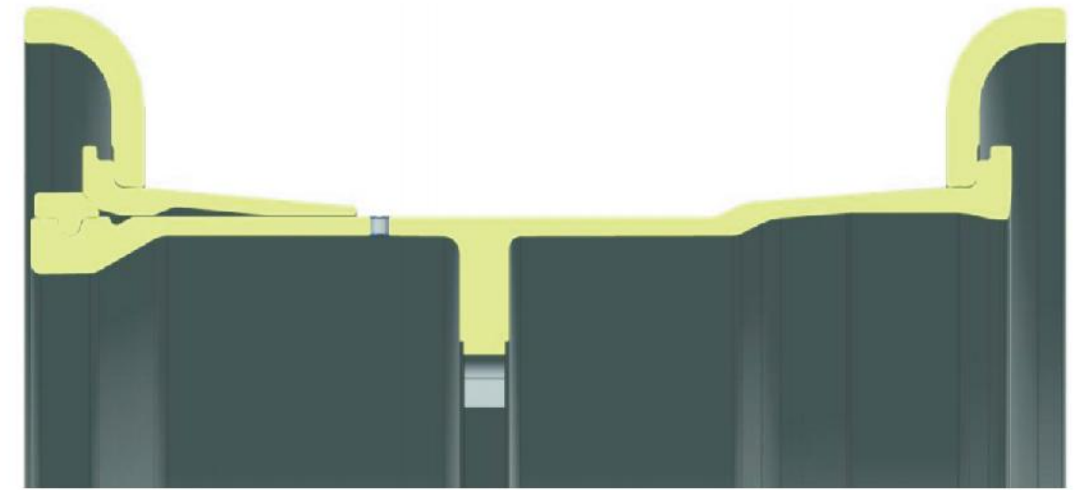


Frontal view

Frame 6
 Principal Stress/MPa
 2.004E+02
 1.780E+02
 1.655E+02
 1.331E+02
 1.107E+02
 8.035E+01
 6.035E+01
 4.340E+01
 2.098E+01
 1.448E+00
 Max = 2.004E+02



Pillar view

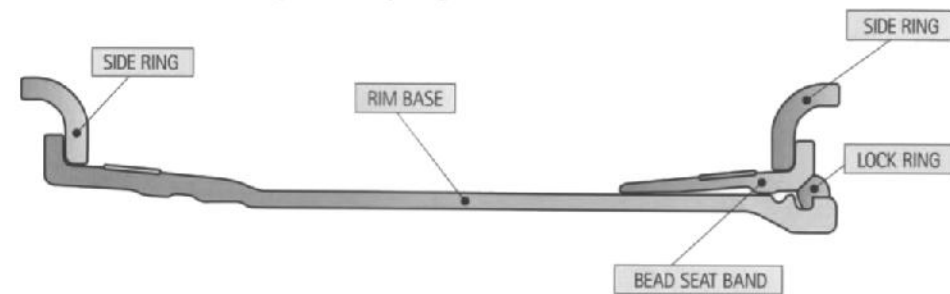




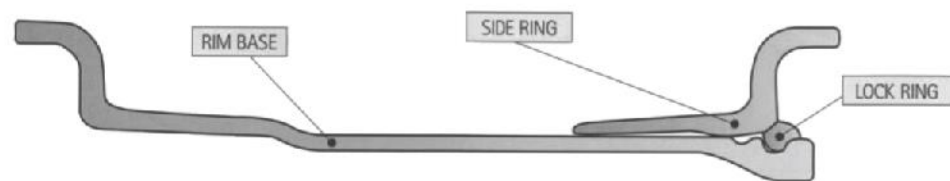
2. RIM structure

Topy has various RIMS available which have different RIM structure for best match with a variety of vehicles.

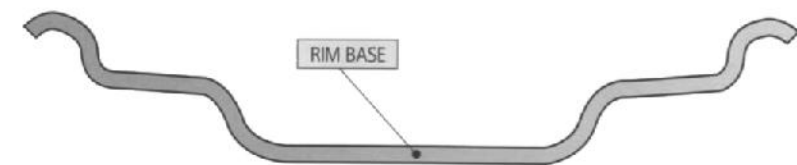
1) 5 piece RIM
Consists of a rim base, a lock ring, two side rings/flanges and a bead seat band



2) 3 piece RIM
Consists of a rim base, a lock ring and a side ring

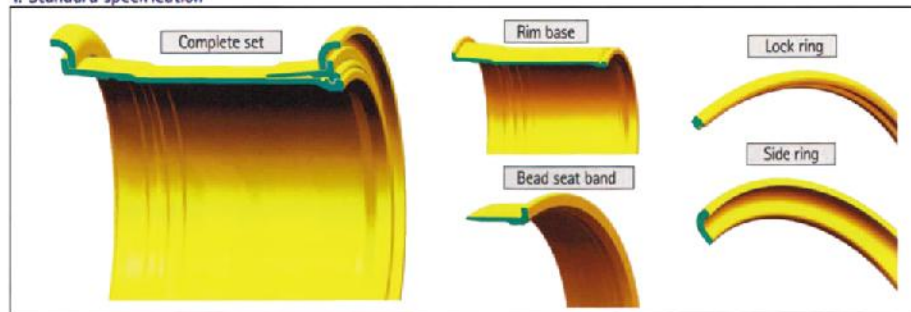


3) 1 piece RIM
Consists of one piece rim base only

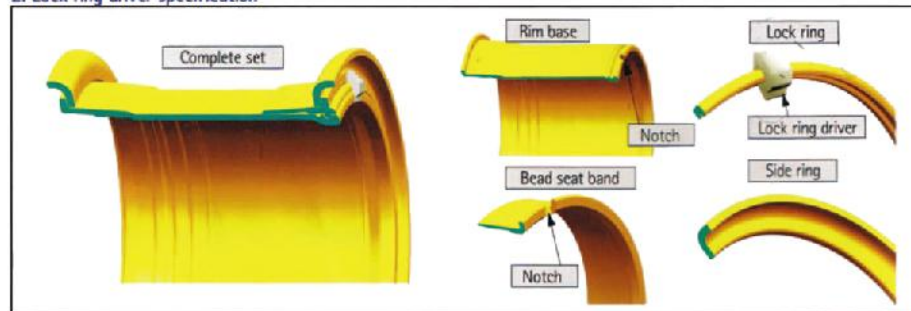


RIMS are generally classified into three different types of rim specification in order to AVOID rim component INDEXING.

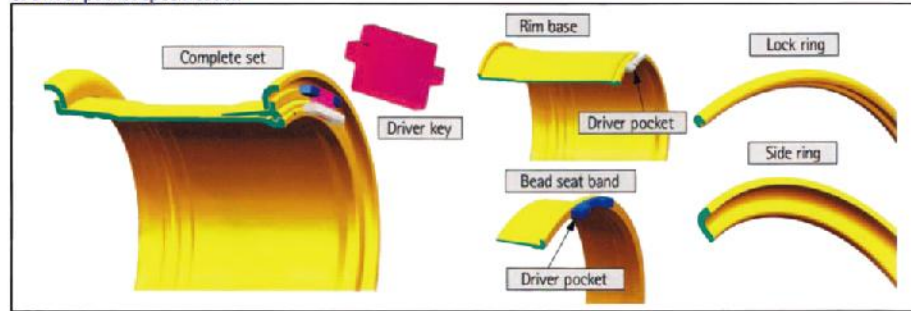
1. Standard specification



2. Lock ring driver specification



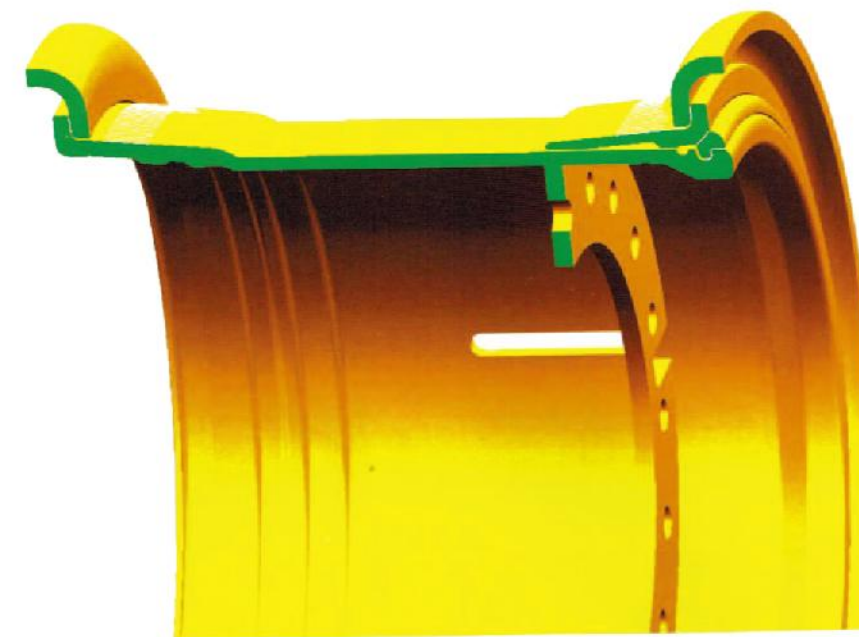
3. Driver pocket specification



1. Non-demountable RIM and demountable RIM

In general classification, there are two type RIMS which is fitted with mounting center disc or which is not fitted with mounting center disc to suit each equipent application. When a RIM is required, please confirm first whether or not the RIM is fitted with the mounting center dise to suit the vehicle.

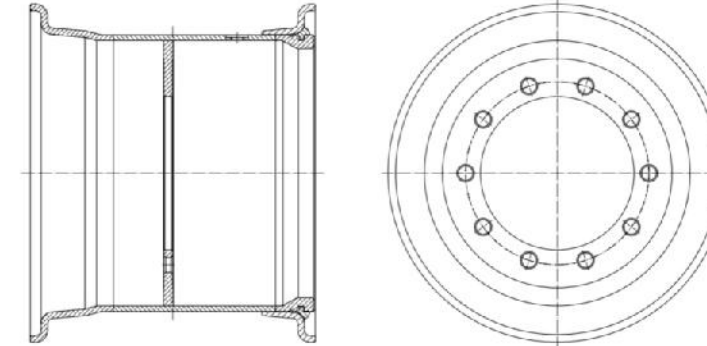
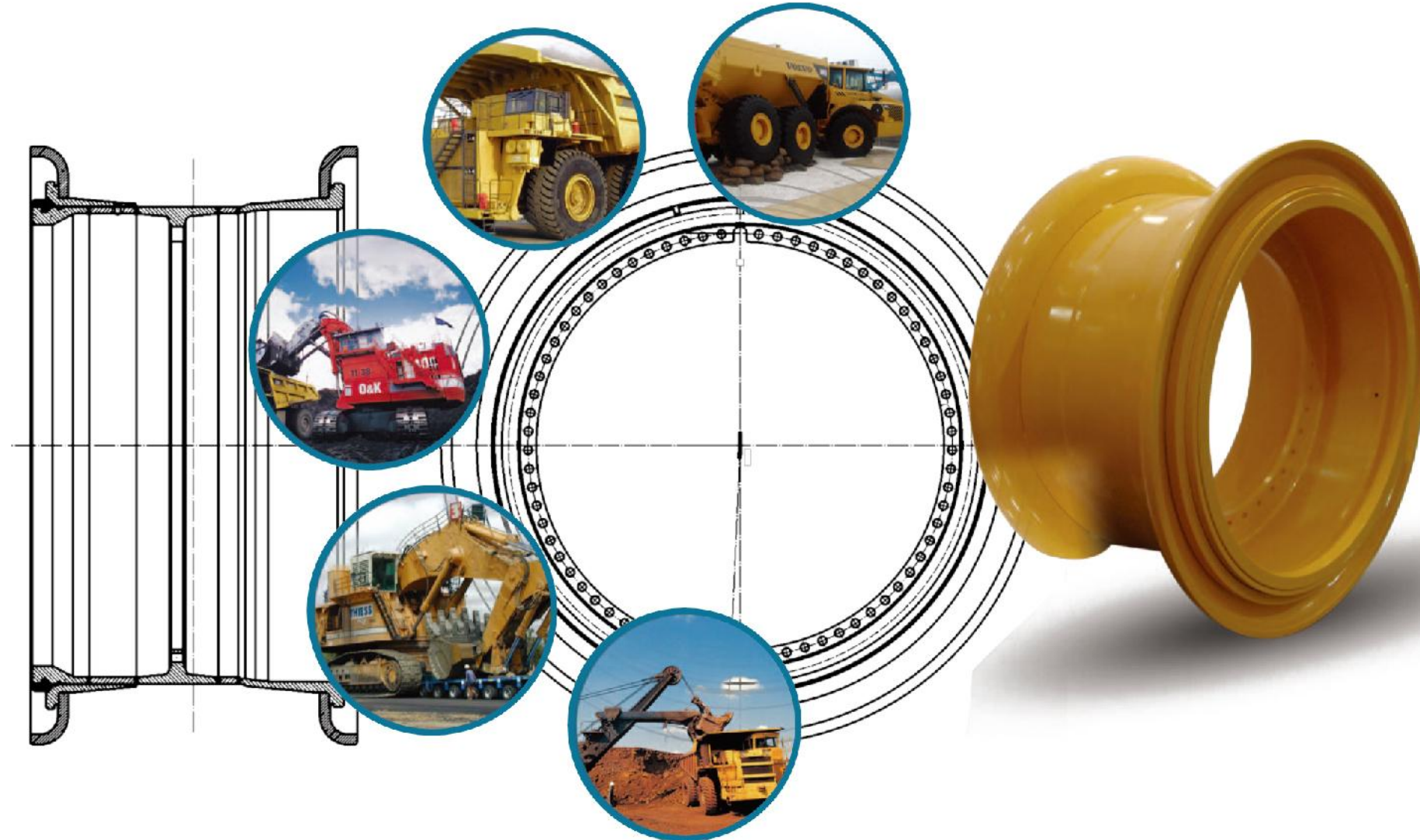
1)RIM fitted with center dise(Non-demountable RIM)



2)RIM not fitted with center dise(Demountable RIM)



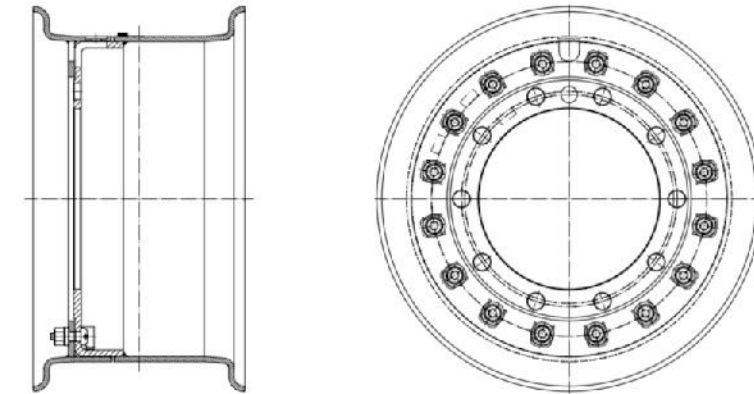
Earthmover/Construction/Off the Road equipment Series(Large Dump Trucks, Graders & Wheel Loaders, Dozers, Trucks & Load Haul Dumps, Tire Rollers & Finishers)



15"
16"
16.5"
17.5"
18"
20"

Dia.	Rim Size	Fitted tyre	Stud Holes		PC Dia.	Center Hole Dia.	Offset/ET.	Thickness		Model No.
			No.	Dia.				Rim	Disc	
15"	15-6.50/1.5	8.25-15	6	17.5	305	275	8.4	16	803401786	
	15-6.50/1.5	8.25-15	6	32.5	250	200	72	12	803401788	
	15-9.75/1.37	12.00-15	10	27	335	281	0	12	803401001	
	15-11.50/1.5	14.50-15	30	16	295	264	147	14	803401002	
	15-11.50/1.5	14.50-15	30	16	295	264	140.5	14	803401003	
	15-11.50/1.5	14.50-15	16	16	288	235	152.5	28	803401004	
	15-11.50/1.5	14.50-15	14	31.5	304.8	241.3	-51	14	803401005	
16"	15-11.50/1.5	14.50-15	38	16	288	235	152.5	28	803401006	
	16-8.00/0.83	11L-16	8	20	203.2	152.5	50	10	803401007	
	16-8.00/0.83	11L-16	8	17	203.2	152.5	42	15	803401008	
	16.5"	16.5-8.25/0.5	10-16.5	8	20	275	221	35	10	803401009
		16.5-9.75/0.5	12-16.5NHS	8	20	275	221	35	10	803401010
		16.5-9.75/0.5	12-16.5NHS	8	20	275	221	30	10	803401011
		16.5-9.75/0.5	12-16.5NHS	8	18	200	150	45.5	12	803401012
		16.5-9.75/0.5	12-16.5	8	22	275	221	20	10	803401013
		16.5-9.75/0.5	12-16.5	8	22	275	221	-20	10	803401014
		16.5-9.75/0.5	12-16.5	8	22	275	221	0	10	803401015
		16.5-9.75/0.5	12-16.5	8	20	275	221	10	10	803401016
		16.5-9.75/0.5	12-16.5NHS	8	22	200	150	45.5	10	803401017
		16.5-9.75/0.5	12-16.5	8	20	275	221.5	35	10	803401018
		16.5-9.75/0.5	12-16.5	6	18	152	112	65	10	803401019
16.5-9.75/0.7		12-16.5	8	19	275	22.5	-80	11	803401020	
17.5"	17.5-10.50/0.5	14-17.5NHS	8	20	275	221	82	12	803401021	
	18"	18-9.00/1.0	12.5/80-18	8	20	275	221	82	12	803401022
		18-9.00/1.0	12.5/80-18	8	16.5	203.2	152.5	-40	12	803401023
20"	18-9.00/1.0	12.5/80-18	8	20	275	222	35	10	803401024	
	20-7.00T	9.00-20	10	26	335	281	0	10	803401025	
	20-7.50/1.7	10.00-20	10	27	335	281	151	14	803401026	
	20-7.5/1.7	10.00-20	10	26	335	281	163	16	803401027	
	20-7.5/1.7	TUBELEE	10	26	335	281	163	16	803401028	
	20-7.50/1.7	10.00-20	10	26	335	281	-165	16	803401029	
	20-8.0/1.7	11.00-20	10	27	335	281	-176	16	803401030	
	20-8.0/1.7	11.00-20			WITHOUT DISC	A=28, C=483			803401031	
	20-8.0/2.0	12.00-20	10	27	335	281	-165	16	803401032	
	20-8.5/1.7	12.00-20	8	18	320	280	-32.5	18	803401033	
	20-8.5/1.7	DOUBLE		18	350	320	0	19	803401034	
	20-8.5/1.7	DOUBLE		M16-7H	280	240	-30	19	803401035	
	20-8.5/1.7	12.00-20	10	26	335	320	-32.5	16	803401036	
	20-8.5/1.7	12.00-20	20	18	350	280	-32.5	18	803401037	
20-8.5/1.7	12.00-20	12	M16-7H	280	240	-32.5	18	803401038		
20-8.5/1.7	12.00-20	10	26	335	281	170	16	803401039		
20-8.5/1.7	TUBELEE	10	26	335	281	170	16	803401040		
20-8.5/1.7	12.00-20	10	26	335	281	160	18	803401041		
20-8.5/1.7	12.00-20	10	23	335	281	87	16	803401042		
20-8.5/1.7	12.00R20	10	23	335	281	176	16	803401043		
20-8.5/1.7	12.00R20	10	20.5	511.2	460	198	16	803401044		

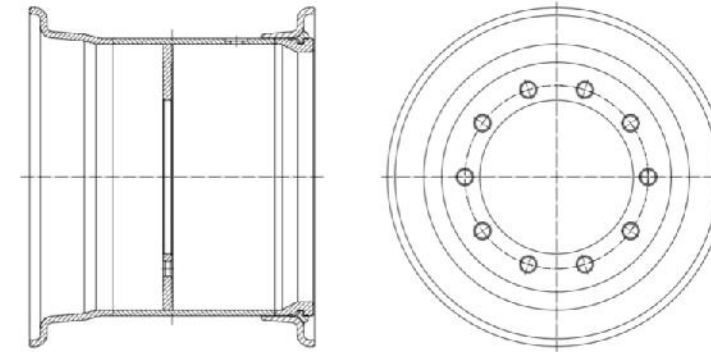
Earthmover/Construction/Off the Road equipment Series(Large Dump Trucks, Graders & Wheel Loaders, Dozers, Trucks & Load Haul Dumps, Tire Rollers & Finishers)



20"

Dia.	Rim Size	Fitted tyre	Stud Holes		PC Dia.	Center Hole Dia.	Offset/ET.	Thickness		Model No.
			No.	Dia.				Rim	Disc	
20"	20-8.5/1.7	12.00R20	10	26	335	281	188	18	803401045	
	20-8.5/1.7	12.00R20	10	26	335	281	82	15	803401046	
20-8.5/1.7	12.00R20	10	26	335	281	-32.5	16	803401047		
20-8.5/1.7	12.00R20	16	24	370	320	-32.5	16	803401048		
20-8.5/1.7	SOLID TYRE	21	18	402	362	-100	15	803401049		
20-8.5/1.7	12.00R20	10	24	335	281	200	17	803401050		
20-8.5/1.7	12.00R20	10	26	335	281	188	18	803401051		
20-9.00/1.7	13.00-20	10	22	335	280.8	10.5	18	803401052		
20-10.00/2.0	14.00-20	24	20	375	330	61	20	803401053		
20-10.00/2.0	14.00-20	10	26	335	281	192	14	803401054		
20-10.00/1.7	14.00-20	10	26	335	281	209.5	16	803401055		
20-10.00/1.7	14.00-20	10	26	335	282	209.5	18	803401056		
20-10.00/1.7	14.00-20	8	22	409	350	-85	15	803401057		
20-10.00/1.7	14.00-20	8	22	409	350	85	14	803401058		
20-10.00/1.7	14.00-20	10	26	335	281	120	14	803401059		
20-10.00/1.7	14.00R20	10	22	335	281	-225	16	803401060		
20-10.00/1.7	14.00-20	20	26	335	281	170	16	803401061		
20-10.00/1.7	14.00R20	10	26	335	281	216	14	803401062		
20-10.00/1.7	14.00R20	10	26	335	281	99	16	803401063		
20-10.00/1.7	14.00R20	8	22	410	350	-92	15	803401064		
20-10.00/1.7	14.00R20	8	21	420	358	103.5	39	803401065		
20-10.00/1.88	SOLID TYRE	20	17	305	280	-36	16	803401066		
20-10.00/1.88	SOLID TYRE	16	21	335	280	22	16	803401067		
20-10.00/2.0	14.00-20	10	27	335	281	85.5	16	803401068		
20-10.00/2.0	14.00-20	24	20	375	330	61	20	803401069		
20-11.00/1.67	12.5-20	10	26	335	281	81	20	803401070		
20-11.00/1.7	SOLID TYRE	10	34	223			20	803401071		
20-11.25/1.7	16.00-20	8	27	275	221	0	14	803401072		
20-12.00/2.0	15.5-20	10	26	335	281	58	15	803401073		
20-12.00/2.0	15.5-20	12	23.5	336	333	142.5	16	803401074		
20-12.00/2.0	15.5-20	10	27	335	281	142.5	16	803401075		
20-12.00/2.0	15.5-20	10	26	335	281	130.5	15	803401076		
20-12.00/2.0	16.00-20	10	24	381	281	160	12	803401077		
20-12.00/2.0	16.00-20				333	99	12	803401078		
20-12.00/2.0	16.00-20				334	99	12	803401079		
20-12.00/2.0	15.5-20	10	26	335	281	20		803401080		
20-12.00/2.0	15.5-20	10	26	335	281	85.5	15	803401081		
20-13.00/1.0	16/70-20	8	26	335	265	-86	12	803401082		
20-13.00/1.0	16/70-20			WITHOUT DISC	A=35,B=436			803401083		
20-13.00/1.0	16/70-20	10	26	335	265	13	20	803401084		
20-13.00/1.0	16/70-20	10	26	335	265	40	20	803401085		
20-13.00/1.0	16/70-20	8	20	414	374	45	12	803401086		
20-13.00/1.0	16/70-20	8	20.5	380	315	7	12	803401087		
20-13.00/1.0	16/70-20	10	26	335	281	45	15	803401088		
20-13.00/1.0	16/70-20	10	26	335	281	-60	15	803401089		
20-13.00/1.5	16/70-20	10	26	335	281		15	803401090		

Earthmover/Construction/Off the Road equipment Series(Large Dump Trucks, Graders & Wheel Loaders, Dozers, Trucks & Load Haul Dumps, Tire Rollers & Finishers)

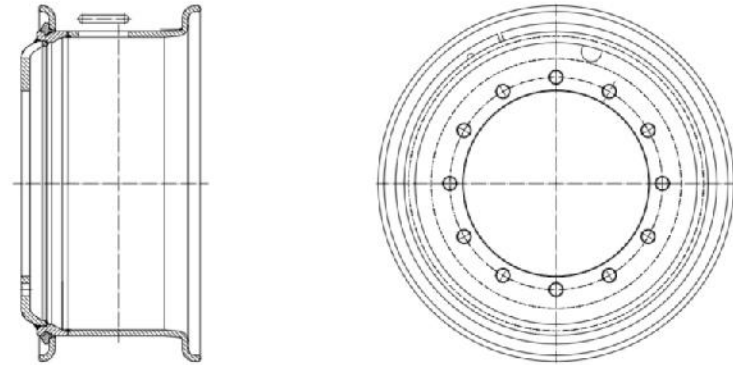


20"

21"
22"
23"
24"

Dia.	Rim Size	Fitted tyre	Stud Holes		PC Dia.	Center Hole Dia.	Offset/ET.	Thickness		Model No.
			No.	Dia.				Rim	Disc	
20"	20-13.00/1.7	16/70-20	6	21.5	275	221	0	12	803401091	
	20-13.00/1.7	16/70-20	8	21.5	275	221	0	12	803401092	
	20-14.00/1.67	17.5-20							803401093	
	20-14.00/2.0	17.5-20	16	22	400	350	12	38	803401094	
	20-15.00/1.0	500/70-508	16	22	400	350		20	803401095	
	20-15.00/1.7	18L-20	24	25	422	370	-23.5	20	803401096	
21"	20-15.30/2.0	500/70-508	10	26	335	281	127	14	803401097	
	21-11.25/2.0	16.00-20	10	27	335	280.5	141	12	803401098	
	21-11.25/2.0	16.00-20	10	24	420				803401099	
	21-11.25/2.0	16.00-20	10	27	420	365		16	803401100	
	21-11.25/2.0	16.00-20	10	27	335	280.5	141	12	803401101	
	21-11.25/2.0	16.00-20	15	24	420				803401102	
	21-11.25/2.0	16.00-20	15	27	420	365		16	803401103	
	21-13.00/1.7		10	27	335	281	0	15	803401784	
	21-17.00/2.0	20.00-21	10	27	335	281	0	15	803401104	
	21-18.00/1.5	24.00R21	10	26	335	281	-56.5	15	803401105	
	21-18.00/1.5	24.00R21	10	26	335	281	-136	15	803401106	
	21-18.00/1.5	24.00R21	10	26	335	281	60	16	803401107	
	21-18.00/1.5	24.00R21	8	30	420			16	803401108	
	21-18.00/1.7	24.00-21	10	27	335	281	0	16	803401109	
	21-18.00/1.7	24.00-21	10	26	335	281	0	15	803401110	
22"	22-8.50/1.0		10	24	350	420	29.3	16	803401787	
	22-17.00/2.0		10	27	335	281	0	15	803401783	
23"	22-17.00/2.0		6	21.5	205	161	75	15	803401785	
	23-9.25/1.75		10	22	44.5	400.5	68.5	15	803401111	
	23-9.25/1.75		18	21	419.1	368	65	25	803401112	
	23-11.00/1.5				WITHOUT DISC	A=35,B=517,C=530			803401113	
	23-11.00/1.5	14.00-23	8	22	409	351	87	15	803401114	
	23-11.00/1.5	14.00-23	24	20	375	330	60	21	803401115	
	23-11.00/1.5	14.00-23	18	22	419.1	302	105	25	803401116	
	23-18.00/2.0	24.00-23	10	26	335	281	0	15	803401117	
24"	24-8.00/1.7	13.00-24	12	22	275	221.5	-100	20	803401118	
	24-8.00/1.7	12.00-24	10	24	285.75	228.85	190	16	803401119	
	24-8.50/1.7	12.00-24	12	26.5	425	371	163	18	803401120	
	24-8.50/1.7	12.00-24	10	26	335	281	173	18	803401121	
	24-8.50/1.7	12.00-24	12	26	425	371	173	18	803401122	
	24-8.50/1.7	12.00-24	10	25	335	280	188	18	803401123	
	24-8.50/1.7	12.00-24	19	27	336	282	-30.1	18	803401124	
	24-8.50/1.7	12.00-24	12	24	522	461	0	16	803401125	
	24-8.50/1.7	12.00-24	12	26.5	425	373	178	18	803401126	
	24-8.50/1.7	12.00-24	12	26.5	425	371	175	18	803401127	
	24-8.50/1.7	12.00-24	10	26	335	281	175	18	803401128	
	24-8.50/1.7	12.00-24	10	26	335	281	180	16	803401129	
	24-8.50/1.7	12.00-24	10	26	335	281	158	18	803401130	
	24-8.50/1.7	12.00-24	10	26	427	280	158	16	803401131	
	24-8.50/1.7	12.00-24	19	17.5	533.6	498	-23	16	803401132	

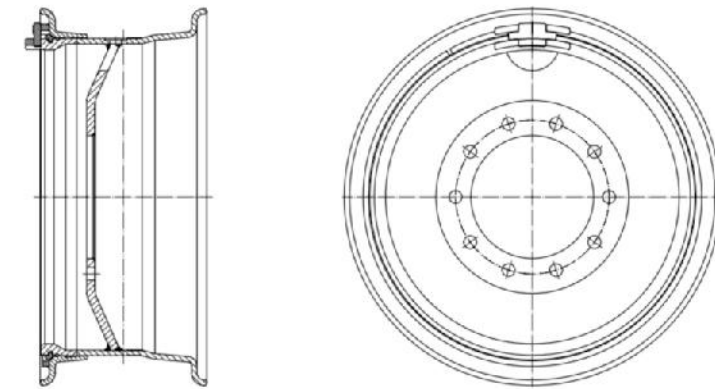
Earthmover/Construction/Off the Road equipment Series(Large Dump Trucks, Graders & Wheel Loaders, Dozers, Trucks & Load Haul Dumps, Tire Rollers & Finishers)



24"

Dia.	Rim Size	Fitted tyre	Stud Holes		PC Dia.	Center Hole Dia.	Offset/ET.	Thickness		Model No.
			No.	Dia.				Rim	Disc	
24"	24-8.50/1.7	12.00-24	10	26	335	281	169	16	16	803401133
	24-8.50/1.7	12.00-24	10	27	335	281	190	16	16	803401134
	24-8.50/1.7	12.00-24	10	26	335	281	-200	16	16	803401135
	24-8.50/1.7	12.00-24	10	26	335	281	-176	16	16	803401136
	24-8.50/1.7	12.00-24	10	26	425	371	-191	16	16	803401137
	24-8.50/1.7	12.00-24	24	26	425	371	172.5	16	16	803401136
	24-8.50/1.7	12.00-24	12	26	425	371	50	18	18	803401139
	24-8.50/1.7	12.00-24	10	24	335	281	-50	20	20	803401140
	24-8.50/1.7	12.00-24			WITHOUT DISC A=35,B=536C=565					803401141
	24-8.50/1.7	12.00-24	12	26	425	371	187	14	14	803401142
	24-8.50/1.7	12.00-24	12	26.5	425	371	172	18	18	803401143
	24-8.50/1.7	12.00-24	12	26	425	371	178	18	18	803401144
	24-8.50/1.7	12.00-24	10	26	335	281	184	16	16	803401145
	24-8.50/1.7	12.00-24			WITHOUT DISC A=30,B=540,C=569					803401146
	24-8.50/1.7	12.00-24	10	26	335	281	172	16	16	803401147
	24-8.50/1.7	12.00-24	3	13	430					803401148
	24-8.50/1.7	12.00-24	10	26	335	281	185	16	16	803401149
	24-8.50/1.7	12.00-24	12	22	490	430	19	15	15	803401150
	24-8.50/1.7	12.00-24	10	20	480	420	-5	15	15	803401151
	24-8.50/1.7	12.00-24	12	24	455	400	14	14	14	803401152
	24-8.50/1.7	12.00-24	12	23	460	400	-88	20	20	803401153
	24-8.50/1.7	12.00-24	10	26	335	281	192.5	20	20	803401154
	24-8.50/1.7	12.00-24	19	17.5	533.4	498.5	8.5	16	16	803401155
	24-8.50/1.7	12.00-24	10	27	335	281	177.5	12	12	803401156
	24-10.00/1.7	14.00-24	12	26.5	425	371	224	18	18	803401157
	24-10.00/1.7	14.00-24	12	24	285.75	228.85	86	15	15	803401158
	24-10.00/1.7	14.00-24	10	26	335	281	230	16	16	803401159
	24-10.00/1.7	14.00-24	12	24	522	461	20	16	16	803401160
	24-10.00/1.7	14.00-24	12	25	425	370	44	18	18	803401161
	24-10.00/1.7	14.00-24	12	25	425	370	80	18	18	803401162
	24-10.00/1.7	14.00-24	12	26.5	425	371	207	18	18	803401163
	24-10.00/1.7	14.00-24	12	26.5	425	371	225	18	18	803401164
	24-10.00/1.7	14.00-24	12	26.5	425	371	216	18	18	803401165
	24-10.00/1.7	14.00-24	12	36.5	345	291	57	15	15	803401166
	24-10.00/1.7	14.00-24	12	26.5	425	371	217.5	18	18	803401167
	24-10.00/1.7	14.00-24	10	26	335	281	127	15	15	803401168
	24-10.00/1.7	14.00-24	10	25	285	229	27	15	15	803401169
	24-10.00/1.7	14.00-24	8	24	275	222	-30	15	15	803401170
	24-10.00/1.7	14.00-24	12	26	425	371	199	20	20	803401171
	24-10.00/1.7	14.00-24	20	22	350	280	-48	16	16	803401172
	24-10.00/1.7	14.00-24	19	17.5	539	501.5	-45.5	15	15	803401173
	24-10.00/1.7	14.00-24	12	26.5	425	371	199	18	18	803401174
	24-10.00/1.7	14.00-24	10	27	335	281	199	18	18	803401175
	24-10.00/1.7	14.00-24	10	24	335	281	40	15	15	803401176
	24-10.00/1.7	14.00-24	12	24	425	370	67.5	15	15	803401177
	24-10.00/1.7	14.00-24			WITHOUT DISC A=28,B=546,C=587					803401178

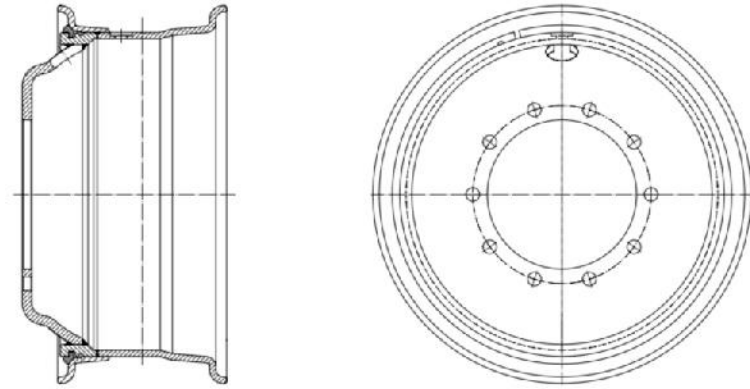
Earthmover/Construction/Off the Road equipment Series(Large Dump Trucks, Graders & Wheel Loaders, Dozers, Trucks & Load Haul Dumps, Tire Rollers & Finishers)



24"

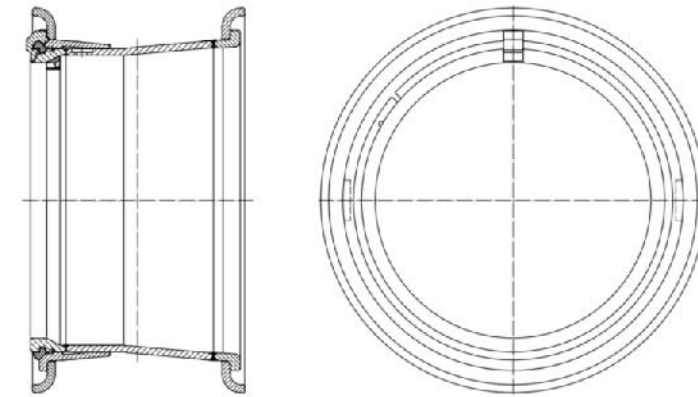
Dia.	Rim Size	Fitted tyre	Stud Holes		PC Dia.	Center Hole Dia.	Offset/ET.	Thickness		Model No.
			No.	Dia.				Rim	Disc	
24"	24-10.00/1.7	14.00-24	10	22	480	420	0	15	15	803401179
	24-10.00/1.7	14.00-24			WITHOUT	STUDE HOLES 1550		14	14	803401180
	24-10.00/1.7	14.00-24	10	27	335	281	199	18	18	803401181
	24-10.00/1.7	14.00-24	10	26	335	281	225	16	16	803401182
	24-10.00/1.7	14.00-24	10	23	335	281	140	18	18	803401183
	24-10.00/1.7	14.00-24			WITHOUT	DISC A=32,B=530				803401184
	24-10.00/1.7	14.00-24	10	26	335	281	199	18	18	803401185
	24-10.00/1.7	14.00-24	10	26	335	280	199	18	18	803401186
	24-10.00/1.7	14.00-24	20	20	510	454	26	18	18	803401187
	24-10.00/1.7	14.00-24	12	26.5	425	371	199	18	18	803401188
	24-10.00/2.0	14.00-24			WITHOUT	DISC A=25,B=552,C=585				803401189
	24-10.00VA	14.00-24	12	26	495	448	144.4	18	18	803401190
	24-10.00/2.0	14.00-24	12	26.5	425	371	-224.5	18	18	803401191
	24-10.00/2.0	14.00-24	12	26	425	371	195	18	18	803401192
	24-10.00/2.0	14.00-24			WITHOUT	DISC A=35,B=560,C=587				803401193
	24-10.00/2.0	14.00-24	14	20.6	304.8	241	13.4	16	16	803401194
	24-10.00/2.0	14.00-24			WITHOUT	DISC A=35,B=540				803401195
	24-10.00/2.0	14.00-24	12	27	425	371	-42.5	16	16	803401196
	24-10.00/2.0	14.00-24			WITHOUT	DISC A=25,B=545,C=585				803401197
	24-10.00/2.0	14.00-24	12	26.5	425	371	8	18	18	803401198
	24-10.00/2.0	14.00-24	12	26	425	371	204	18	18	803401199
	24-10.00/1.7	14.00-24	18	22	419.1	302	105	18	18	803401200
	24-10.00/2.0	14.00-24	12	26	425	371	-216	18	18	803401201
	24-10.00/2.0	14.00-24	12	27	425	371	-8	18	18	803401202
	24-10.00/2.0	14.00-24			WITHOUT	DISC A=28,B=544,C=584				803401203
	24-10.00/2.0	14.00-24	12	26.5	425	371	224.5	18	18	803401204
	24-10.00/2.0	14.00-24	12	26	425	371	50	16	16	803401205
	24-10.00/2.0	14.00-24			WITHOUT	DISC A=20,B=557,C=585				803401206
	24-10.00/2.0	14.00-24	12	23.5	425	371	135	20	20	803401207
	24-10.00VA	14.00-24	19	17.5	533.4	498.5	14	14	14	803401208
	24-10.00VA	14.00-24	12	24	520	465	18	14	14	803401209
	24-10.00/2.0	14.00-24	12	23	425	371	-42.5	16	16	803401210
	24-10.00VA	14.00-24	19	17.5	533.4	498	-15	14	14	803401211
	24-10.00/2.0	14.00-24			WITHOUT	DISC A=46,B=557,C=583				803401212
	24-11.25/2.0	16.00-24	10	22	350	281	0	15	15	803401213
	24-11.25/2.0	16.00-24	20	26	335	281	0	16	16	803401214
	24-15.00/1.0	17.5-24	10	23	335	218	27	12	12	803401215
	24-15.00/1.0	17.5-24	6	18	345	120	16	10	10	803401216
	24-15.00/1.0	17.5-24	6	17		165				803401217
	24-16.00/1.1	19.5-24	10	23	335	281	48.5	15	15	803401218
	24-16.00/1.1	19.5-24	10	23	335	281	33	15	15	803401219
	24-16.00/1.1	19.5-24	10	24	335	281	83	15	15	803401220
	24-16.00/1.7	54*21-24	10	24	335	281		15	15	803401221

Earthmover/Construction/Off the Road equipment Series(Large Dump Trucks, Graders & Wheel Loaders, Dozers, Trucks & Load Haul Dumps, Tire Rollers & Finishers)



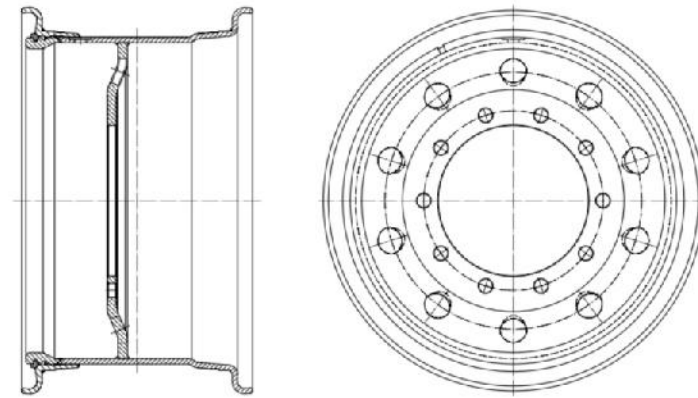
Dia.	Rim Size	Fitted tyre	Stud Holes		PC Dia.	Center Hole Dia.	Offset/ET.	Thickness		Model No.
			No.	Dia.				Rim	Disc	
25"	25-8.50/1.3	13.00-25	10	24	335	281	-10	16		803401222
	25-9.50/1.7	14.00R25	10	27	335	281	61	15		803401223
	25-9.50/1.7	14.00R25	9	40	490					803401224
	25-9.50/1.7	14.00R25	10	27	335	281	51	15		803401225
	25-9.50/1.7	14.00R25	9	40	490					803401226
	25-9.50/1.7	14.00R25	10	26	335	281	206	16		803401227
	25-9.50/1.7	14.00R25	10	26	335	281	205	16		803401228
	25-9.50/1.7	14.00R25	10	26	335	281	215	16		803401229
	25-9.50/1.7	14.00R25	10	23	335	281	41	15		803401230
	25-9.50/1.7	14.00R25	9	40	490					803401231
	25-9.50/1.7	14.00R25	10	27	335	281	2.5	16		803401232
	25-9.50/1.7	14.00R25	9	40	490					803401233
	25-9.50/1.7	14.00R25	10	27	335	281	11	16		803401234
	25-9.50/1.7	14.00R25	9	40	490					803401235
	25-9.50/1.7	14.00R25	10	26	335	281	25	15		803401236
	25-10.00/1.5	14.00-25			WITHOUT	DISC A=30,B=556				803401237
	25-10.00/1.5	14.00-25	10	24	335	281	55	16		803401238
	25-10.00/1.5	14.00-25	10	26	335	281	225	16		803401239
	25-10.00/1.5	14.00-25	10	24	335	281	80	15		803401240
	25-11.00/1.7	16.00-25	10	26	335	281	110	15		803401241
	25-11.00/1.7	16.00-25	9	50	470					803401242
	25-11.00/1.7	16.00-25	12	24	425	371	75	20		803401243
	25-11.25/2.0	16.00-25	16	22	495	445	154	21		803401244
	25-11.25/2.0	16.00-25	12	32.5	485	42.8	0	22		803401245
	25-11.25/2.0	16.00-25	10	32.5	0	335	281.8	22		803401246
	25-11.25/2.0	16.00-25	12	26.5	425	371	-20	20		803401247
	25-11.25/2.0	16.00-25	10	24	335	281	-188	20		803401248
	25-11.25/2.0	16.00-25			WITHOUT	DISC A=35,B=546,C=574				803401249
	25-11.25/2.0	16.00-25	12	26.5	425	371	86	24		803401250
	25-11.25/2.0	16.00-25			WITHOUT	DISC A=31,B=546,C=574				803401251
	25-11.25/2.0	16.00-25	20	24	310	260	45	20		803401252
	25-11.25/2.0	16.00-25	10	24	335	281	20	16		803401253
	25-11.25/2.0	16.00-25	12	26.5	425	371	83	20		803401254
	25-11.25/2.0	16.00-25	20	20	510	457	5	18		803401255
	25-11.25/2.0	16.00-25	12	26.5	425	371	83	18		803401256
	25-11.25/2.0	16.00-25	12	26.5	425	371	102	24		803401257
	25-11.25/2.0	16.00-25	12	27	425	371	18	16		803401258
	25-11.25/2.0	16.00-25	12	26	425	371	55	24		803401259
	25-11.25/2.0	16.00-25			WITHOUT	DISC A=32,B=546,C=574.5				803401260
	25-11.25/2.0	16.00-25	10	24	335	281	80	24		803401261
	25-11.25/2.0	16.00-25	12	26.5	425	371	83	18		803401262
	25-11.25/2.0	16.00-25			WITHOUT	DISC A=40,B=546,C=575				803401263
	25-11.25/2.0	16.00-25	12	23	445	415	108	25		803401264
	25-11.25/2.0	16.00-25			WITHOUT	DISC A=32,B=546,C=575				803401265
	25-11.25/2.0	16.00-25	10	26.5	425	371	136	18		803401266
	25-11.00/1.7	14.00-25	10	26	335	281	95	15		803401267

Earthmover/Construction/Off the Road equipment Series(Large Dump Trucks, Graders & Wheel Loaders, Dozers, Trucks & Load Haul Dumps, Tire Rollers & Finishers)



Dia.	Rim Size	Fitted tyre	Stud Holes		PC Dia.	Center Hole Dia.	Offset/ET.	Thickness		Model No.
			No.	Dia.				Rim	Disc	
25"	25-11.00/1.7		9	50	470					803401268
	25-11.00/1.7				WITHOUT	DISC A=230,B=560				803401269
	25-11.00/1.7		10	26	335	281	110	15		803401270
	25-11.00/1.7		9	50	470					803401271
	25-11.00/1.7		10	27	335	281	86	16		803401272
	25-11.00/1.7		9	40	490					803401273
	25-11.25/2.0				16.00-25 WITHOUT	DISC A=32,B=546,C=575				803401274
	25-11.25/2.0	16.00-25	12	26	425	371	37	16		803401275
	25-11.25/2.0	16.00-25	10	27	480	405	49	15		803401276
	25-11.25/2.0	16.00-25	12	24	425	371	86	18		803401277
	25-11.25/2.0	16.00-25	12	24	425	370	65	18		803401278
	25-11.25/2.0	16.00-25	10	24	335	281	20	18		803401279
	25-11.25/2.0	16.00-25	16	22	495	445	154	18		803401280
	25-11.25/2.0	16.00-25	12	32.5	485	42.8	0	18		803401281
	25-11.25/2.0	16.00-25	10	32.5	335	281.8	0	18		803401282
	25-11.25/2.0	16.00-25	12	26.5	425	371	86	18		803401283
	25-11.25/2.0	16.00-25	12	26.5	425	290	102	18		803401284
	25-11.25/2.0	16.00-25	10	26	400	350	47	18		803401285
	25-11.25/2.0	16.00-25	16	22	481	373	-93	18		803401286
	25-11.25/2.0	16.00-25	12	27	425	371	18	18		803401287
	25-11.25/2.0	16.00-25	12	26	425	371	55	18		803401288
	25-11.25/2.0	16.00-25	12	26	425	371	70	18		803401289
	25-11.25/2.0	16.00-25	10	24	335	281	78	18		803401290
	25-11.25/2.0	16.00-25	10	24	440	335	80	18		803401291
	25-11.25/2.0	16.00-25	17	20	350	265	159	18		803401292
	25-11.25/2.0	16.00-25	12	29	491	283	-16	18		803401293
	25-11.25/2.0	16.00-25	12	24	512	456	0	20		803401294
	25-12.00/1.3	15.5-25			WITHOUT	DISC A=35,B=556				803401295
	25-13.00/2.5	18.00-25			DOUBLE	DISC A=414,B=240				803401296
	25-13.00/2.5	18.00-25			DOUBLE	DISC A=414,B=240				803401297
	25-13.00/2.5	18.00-25			DOUBLE	DISC A=406,B=217				803401298
	25-13.00/2.5	18.00-25			DOUBLE	DISC A=406,B=217				803401299
	25-13.00/2.5	18.00-25			DOUBLE	DISC A=401,B=180				803401300
	25-13.00/2.5	18.00-25			DOUBLE	DISC A=401,B=180				803401301
	25-13.00/2.5	18.00-25			WITHOUT	DISC A=15,B=520,C=576				803401302
	25-13.00/2.5	18.00-25	10	31	480	430	65	15		803401303
	25-13.00/2.5	18.00-25	10	31	480	430	59	16		803401304
	25-13.00/2.5	18.00-25			WITHOUT	DISC A=32,B=546,C=574.5				803401305
	25-13.00/2.5	18.00-25	12	30.2	422.28	370	123.5	18		803401306
	25-13.00/2.5	18.00-25			DOUBLE	DISC A=401,B=108				803401307
	25-13.00/2.5	18.00-25			DOUBLE	DISC A=414,B=240				803401308
	25-13.00/2.5	18.00-25			WITHOUT	DISC A=35,B=548,C=574.5				803401309
	25-13.00/2.5	18.00-25			WITHOUT	DISC A=35,B=548,C=574.5				803401310
	25-13.00/2.5	18.00-25	10	23	480	420	106	16		803401311
	25-13.00/2.5	18.00-25			WITHOUT	DISC A=40,B=546,C=574.5				803401312
	25-13.00/2.5	18.00-25			DOUBLE	DISC A=390,B=245				803401313

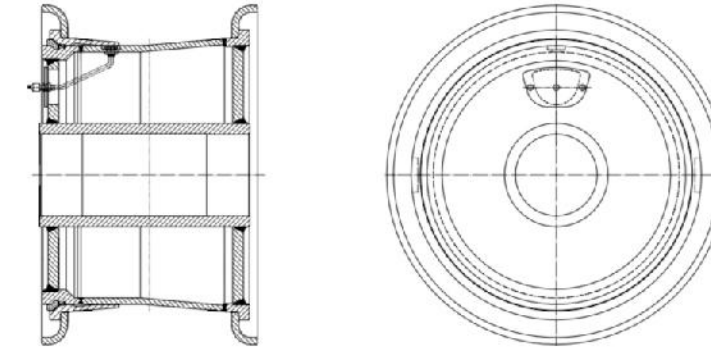
Earthmover/Construction/Off the Road equipment Series(Large Dump Trucks, Graders & Wheel Loaders, Dozers, Trucks & Load Haul Dumps, Tire Rollers & Finishers)



25"

Dia.	Rim Size	Fitted tyre	Stud Holes		PC Dia.	Center Hole Dia.	Offset/ET.	Thickness		Model No.
			No.	Dia.				Rim	Disc	
25"	25-13.00/2.5	18.00-25			DOUBLE	DISC A=405,B=240				803401314
	25-13.00/2.5	18.00-25			DOUBLE	DISC A=406,B=250				803401315
	25-13.00/2.5	18.00-25			DOUBLE	DISC A=406,B=217				803401316
	25-13.00/2.5	18.00-25			DOUBLE	DISC A=401,B=190				803401317
	25-13.00/2.5	18.00-25			WITHOUT	DISC A=32,B=546,C=574.5				803401318
	25-13.00/2.5	18.00-25			WITHOUT	DISC A=15,B=520,C=576				803401319
	25-13.00/2.5	18.00-25	23	21.5	501.7	444.75	-11	18		803401320
	25-13.00/2.5	18.00-25	19	21	511	460	33	18		803401321
	25-13.00/2.5	18.00-25	16	22	400	350	-11	22		803401322
	25-13.00/2.5	18.00-25			DOUBLE	DISC A=414,B=240				803401323
	25-13.00/2.5	18.00-25			DOUBLE	DISC A=401,B=240				803401324
	25-13.00/2.5	18.00-25			DOUBLE	DISC A=405,B=178				803401325
	25-13.00/2.5	18.00-25			DOUBLE	DISC A=360,B=240				803401326
	25-13.00/2.5	18.00-25			DOUBLE	DISC A=391,B=240				803401327
	25-13.00/2.5	18.00-25			DOUBLE	DISC A=398,B=240				803401328
	25-13.00/2.5	18.00-25			DOUBLE	DISC A=406,B=250				803401329
	25-13.00/2.5	18.00-25			DOUBLE	DISC A=320,B=260				803401330
	25-13.00/2.5	18.00-25			WITHOUT	DISC A=34,B=546,C=574.5				803401331
	25-13.00/2.5	18.00-25			DOUBLE	DISC A=345,B=180				803401332
	25-13.00/2.5	18.00-25			DOUBLE	DISC A=341.2,B=240				803401333
	25-13.00/2.5	18.00-25			WITHOUT	DISC A=32,B=546,C=576				803401334
	25-13.00/2.5	18.00-25			WITHOUT	DISC A=31,B=546,C=583				803401335
	25-13.00/2.5	18.00-25	19	20.5	511.2	459	22	16		803401336
	25-13.00/2.5	18.00-25	12	26	500	449	48	16		803401337
	25-13.00/2.5	18.00-25	19	20.5	511	458.8	18	18		803401338
	25-13.00/2.5	18.00-25	12	26	335	281	30	16		803401339
	25-14.00/1.5	17.5-25	10	27	480	405		15		803401340
	25-14.00/2.0	17.5-25	10	27	480	405	97	15		803401341
	25-14.00/2.0	17.5-25	12	24	404	352	12	12		803401342
	25-14.00/2.0	17.5-25	10	26	335	281	40	14		803401343
	25-14.00/2.0	17.5-25	8	20.5	414	374	69	12		803401344
	25-14.00/2.0	17.5-25	12	21.5	450	394	35.5	12		803401345
	25-14.00/2.0	17.5-25	10	24	335	281	38	15		803401346
	25-14.00/2.0	17.5-25	10	26	335	281	38	18		803401347
	25-14.00/2.0	17.5-25	19	21	511	459	11	22		803401348
	25-14.00/2.0	17.5-25	10	26	414	357	35.5	20		803401349
25-14.00/2.0	17.5-25	10	27	414	357	35.5	15		803401350	
25-14.00/1.5	17.5-25			WITHOUT	DISC A=35,B=556				803401351	
25-14.00/2.0	17.5-25			WITHOUT	DISC A=35,B=556				803401352	
25-14.00/2.0	17.5-25	19	21	511.18	462	0	16		803401353	
25-14.00/1.5	17.5-25	3	20						803401354	
25-14.00/2.0	17.5-25	10	26	335	281	0	14		803401355	
25-14.00/1.5	17.5-25	24	21	501	453	14	15		803401356	
25-14.00/1.5	17.5-25	23	20.6	501.65	445	13.3	15		803401357	
25-14.00/1.5	17.5-25	16	20	400	360	55	15		803401358	
25-14.00/1.5	17.5-25	16	20	400	360	55	12		803401359	

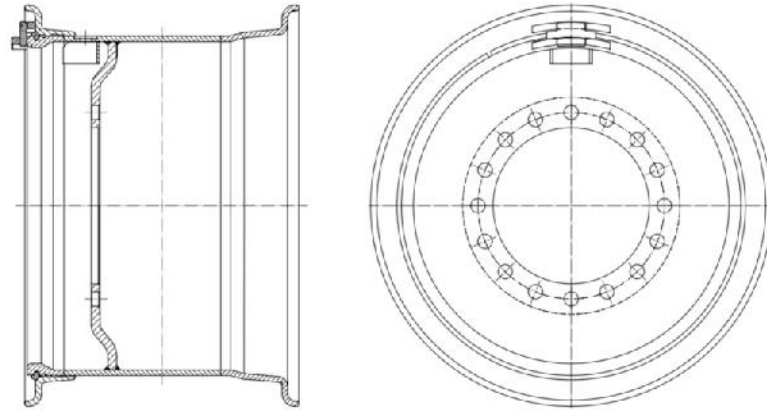
Earthmover/Construction/Off the Road equipment Series(Large Dump Trucks, Graders & Wheel Loaders, Dozers, Trucks & Load Haul Dumps, Tire Rollers & Finishers)



25"

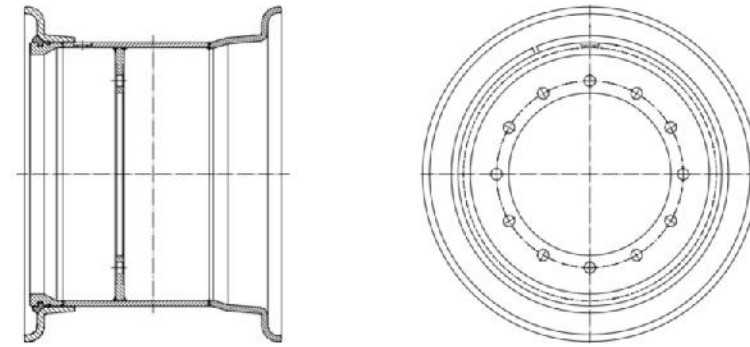
Dia.	Rim Size	Fitted tyre	Stud Holes		PC Dia.	Center Hole Dia.	Offset/ET.	Thickness		Model No.
			No.	Dia.				Rim	Disc	
25"	25-14.00/1.5	17.5-25	10	22.5	425	372	48	16		803401360
	25-14.00/1.5	17.5-25	14	21.5	304.8	241.4	0	16		803401361
	25-14.00/1.5	17.5-25	12	26	425	371	0	15		803401362
	25-14.00/1.5	17.5-25	10	24	285.75	228.85	198	16		803401363
	25-14.00/1.5	17.5-25	12	27	425	372	145	12		803401364
	25-14.00/2.0	17.5-25	19	20.5	511	459	0	18		803401365
	25-14.00/1.5	17.5-25	20	22	410	371	-61	16		803401366
	25-14.00/1.5	17.5-25	12	21.5	450	394	-14.5	16		803401367
	25-14.00/1.5	17.5-25	20	20.5	511	458	56	18		803401368
	25-14.00/2.0	17.5-25	19	21	511.18	462	72	32		803401369
	25-14.00/1.5	17.5-25	3	20						803401370
	25-14.00/1.5	17.5-25	16	26	250	202	0	14		803401371
	25-14.00/1.5	17.5-25			WITHOUT	DISC A=35,B=560				803401372
	25-14.00/2.0	17.5-25	12	21.5	450	394	35.5	14		803401373
	25-14.00/1.5	SOLID TYRE	12	26	245	191	-87.5	16		803401374
	25-14.00/1.5	SOLID TYRE			WITHOUT	DISC A=40,B=546,C=575				803401375
	25-14.00/1.5	SOLID TYRE	12	26	210	156.5	0	16		803401376
	25-14.00/2.0	17.5-25	132	24	404	352	13	15		803401377
	25-14.00/2.5	17.5-25	19	20.5	511.2	459	7.5	18		803401378
	25-15.00/3.0	21.00-25			DOUBLE	DISC A=462,B=240				803401379
	25-15.00/3.0	21.00-25			DOUBLE	DISC A=462,B=240				803401380
	25-15.00/3.0	21.00-25			DOUBLE	DISC A=452,B=290				803401381
	25-15.00/3.0	21.00-25			DOUBLE	DISC A=452,B=290				803401382
	25-15.00/3.0	21.00-25			WITHOUT	DISC A=35,B=546,C=574				803401383
	25-15.00/3.0	21.00-25			DOUBLE	DISC A=452,B=240				803401384
	25-15.00/3.0	21.00-25	20	26	500	449	84	18		803401385
	25-15.00/3.0	21.00-25	12	30.2	422.28	370	123.5	18		803401386
	25-15.00/3.0	21.00-25			DOUBLE	DISC A=464,B=240				803401387
	25-15.00/3.0	21.00-25			DOUBLE	DISC A=452,B=240				803401388
	25-15.00/3.0	21.00-25			DOUBLE	DISC A=452,B=210				803401389
	25-15.00/3.0	21.00-25			DOUBLE	DISC A=461,B=240				803401390
	25-15.00/3.0	21.00-25			DOUBLE	DISC A=452,B=210				803401391
	25-15.00/3.0	21.00-25			DOUBLE	DISC A=452,B=190				803401392
	25-15.00/3.0	21.00-25			DOUBLE	DISC A=460,B=200				803401393
	25-15.00/3.0	21.00-25			DOUBLE	DISC A=464,B=240				803401394
	25-15.00/3.0	21.00-25			DOUBLE	DISC A=452,B=200				803401395
	25-15.00/3.0	21.00-25			DOUBLE	DISC A=462,B=240				803401396
	25-15.00/3.0	21.00-25	24	26	425	371	0	20		803401397
	25-15.00/3.0	21.00-25			DOUBLE	DISC A=392,B=190				803401398
	25-17.00/1.7	20.5-25	10	27	480	405	49	15		803401399
	25-17.00/2.0	20.5-25	10	27	480	405	49	15		803401400
	25-17.00/2.0	20.5-25	10	27	480	405	0	15		803401401
25-17.00/2.0	20.5-25	12	24	425	370	57.5	14		803401402	
25-17.00/2.0	20.5-25	12	21.5	520	448.5	110	15		803401403	
25-17.00/2.0	20.5-25	12	24	480	420	57.5	15		803401404	
25-17.00/2.0	20.5-25	12	22	404	352	40	15		803401405	

Earthmover/Construction/Off the Road equipment Series(Large Dump Trucks, Graders & Wheel Loaders, Dozers, Trucks & Load Haul Dumps, Tire Rollers & Finishers)



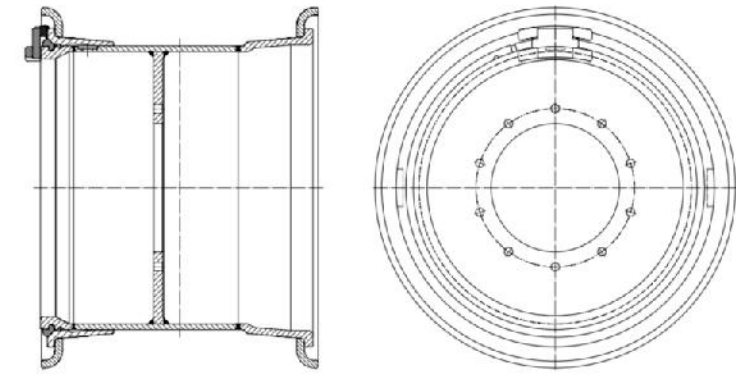
Dia.	Rim Size	Fitted tyre	Stud Holes		PC Dia.	Center Hole Dia.	Offset/ET.	Thickness		Model No.
			No.	Dia.				Rim	Disc	
25"	25-17.00/2.0	20.5-25	10	22	480	405	100	15		803401406
	25-17.00/2.0	20.5-25	12	22	396	345	42	15		803401407
	25-17.00/2.0	20.5-25	12	27	425	371	85	15		803401408
	25-17.00/2.0	20.5-25	10	27	480	420	15	15		803401409
	25-17.00/2.0	20.5-25	12	21.5	520	448	39	15		803401410
	25-17.00/2.0	20.5-25	12	16	490	444	12	15		803401411
	25-17.00/2.0	20.5-25	12	24	480	430	30	15		803401412
	25-17.00/2.0	20.5-25	10	27	414	357	5.5	15		803401413
	25-17.00/2.0	20.5-25	12	24	425	370	80	15		803401414
	25-17.00/2.0	20.5-25	10	22	480	405	123	15		803401415
	25-17.00/2.0	20.5-25			WITHOUT	DISC A=35,B=555,				803401416
	25-17.00/2.0	20.5-25	10	27	335	281	0	20		803401417
	25-17.00/2.0	20.5-25	12	24	404	352	35.5	14		803401418
	25-17.00/2.0	20.5-25	12	24	480	435	30	15		803401419
	25-17.00/2.0	20.5-25	12		404	352	60.5	14		803401420
	25-17.00/1.7	20.5-25			WITHOUT	DISC A=35,B=556,				803401421
	25-17.00/2.0	20.5-25			WITHOUT	DISC A=35,B=556,				803401422
	25-17.00/2.0	20.5-25	12	24	480	435	30	15		803401423
	25-17.00/2.0	20.5-25	12	24	480	435	62.5	15		803401424
	25-17.00/2.0	20.5-25	12	20	513	467	0	15		803401425
	25-17.00/2.0	20.5-25	19	21	511.18	462	15.5	16		803401426
	25-17.00/2.0	20.5-25	12	21.5	520	465	49	15		803401427
	25-17.00/2.0	20.5-25	12	24	425	370	57.5	15		803401428
	25-17.00/2.0	20.5-25			WITHOUT	DISC A=30,B=556,C=582				803401429
	25-17.00/2.0	SOLID TYRE	15	26	254	191	0	19		803401430
	25-17.00/2.0	SOLID TYRE			WITHOUT	DISC A=30,B=556,C=582				803401431
	25-17.00/2.0	20.5-25	20	21.5	525	472	0	15		803401432
	25-17.00/2.0	SOLID TYRE	16	26	275	222	13	19		803401433
	25-17.00/2.0	20.5-25	12	24	480	435	45	15		803401434
	25-17.00/2.0	SOLID TYRE			WITHOUT	DISC A=45,B=546,C=574				803401435
	25-17.00/2.0	SOLID TYRE			WITHOUT	DISC A=35,B=554,C=590				803401436
	25-17.00/2.0	20.5-25	12	26.5	245	190	45	18		803401437
	25-17.00/2.0	20.5-25			WITHOUT	DISC A=40,B=546,C=575				803401438
	25-17.00/2.0	20.5-25			WITHOUT	DISC A=40,B=546,C=575				803401439
	25-17.00/2.0	20.5-25	12	21.5	520	448.5	110	15		803401440
	25-17.00/2.0	20.5-25	10	27	335	281	-40	20		803401441
25-17.00/2.0	20.5-25	12	24	425	370	79	15		803401442	
25-17.00/2.0	SOLID TYRE	24	26	425	371	19	32		803401443	
25-17.00/1.7	20.5-25	15	26	254	191	87.5	19		803401444	
25-17.00/1.7	20.5-25	19	26	501	448.2	40	20		803401445	
25-17.00/1.7	20.5-25	10	25.4	335	281	59	20		803401446	
25-17.00/1.7	20.5-25	10	22	335	281	95	20		803401447	
25-17.00/1.7	20.5-25	12	22	335	281	110	20		803401448	
25-17.00/1.7	20.5-25	19	26	500	448.2	-17	20		803401449	
25-17.00/1.7	20.5-25	12	26	245	191	-87.5	20		803401450	
25-17.00/2.0	SOLID TYRE	15	26	254	191	0	19		803401451	

Earthmover/Construction/Off the Road equipment Series(Large Dump Trucks, Graders & Wheel Loaders, Dozers, Trucks & Load Haul Dumps, Tire Rollers & Finishers)



Dia.	Rim Size	Fitted tyre	Stud Holes		PC Dia.	Center Hole Dia.	Offset/ET.	Thickness		Model No.
			No.	Dia.				Rim	Disc	
25"	25-17.00/2.0	20.5-25	12	23	520	448.5	110	20		803401452
	25-17.00/2.0	20.5-25	19	24	500	448.5	-45	20		803401453
	25-17.00/1.7	20.5-25	15	26	254	191	0	19		803401454
	25-17.00/2.0	20.5-25	12	24	480	435	45	15		803401455
	25-17.00/2.0	SOLID TYRE	12	26.5	245	191	-87.5	19		803401456
	25-17.00/2.0	SOLID TYRE			WITHOUT	DISC A=40,B=546,C=575				803401457
	25-17.00/2.0		20	18.5	534	500	-23.5	15		803401458
	25-17.00/2.0	SOLID TYRE	18	26	320	266	-40	19		803401459
	25-17.00/2.0	20.5-25	24	23	500	449	23.5	19		803401460
	25-17.00/2.0	20.5-25			WITHOUT	DISC A=40,B=546,C=575				803401461
	25-17.00/1.7	20.5-25	15	26	254	191	35	18		803401462
	25-17.00/2.0	20.5-25	19	26	500	448	0	15		803401463
	25-17.00/1.7	20.5-25			WITHOUT	DISC A=3,B=556,C=589				803401464
	25-17.00/1.7	20.5-25	12	23	425	371	84.5	13		803401465
	25-17.00/2.0	20.5-25			WITHOUT	DISC A=32,B=556,C=586				803401466
	25-17.00/1.7	20.5-25	16	26	425	370	0	15		803401467
	25-17.00/1.7	20.5-25	12	27	425	371	10	15		803401468
	25-17.00/1.7	20.5-25	12	23	425	371	0	13		803401469
	25-17.00/1.7	20.5-25	16	26	250	202	174	16		803401470
	25-17.00/1.7	20.5-25	10	30	285.75	228.85	0	16		803401471
	25-17.00/1.7	20.5-25	12	23	425	371	26.4	16		803401472
	25-17.00/2.0	20.5-25	10	24	225	175.8	80	15		803401473
	25-17.00/2.0	20.5-25	12	24	425	371	28	15		803401474
	25-17.00/2.0	20.5-25	10	24	225	175.8	82	20		803401475
	25-17.00/2.0	20.5-25	12	27	520	448.5	110	20		803401476
	25-17.00/2.0	20.5-25	16	25	280	220	260	21		803401477
	25-17.00/2.0	20.5-25	10	27	335	281	40	20		803401478
	25-17.00/2.0	20.5-25	12	27	425	371	0	14		803401479
	25-17.00/2.0	20.5-25	12	24	480	435	57.5	20		803401480
	25-17.00/2.0	20.5-25	12	27	425	375	30	18		803401481
	25-17.00/2.0	20.5-25	12	24	425	370	28	18		803401482
	25-17.00/2.0	20.5-25	12	23	425	371	28	20		803401483
	25-17.00/2.0	23.5R25	19	26	500	448.2	40	20		803401484
	25-19.50/2.5	23.50-25	16	24	522	472	70	20		803401485
	25-19.50/2.5	23.50-25	20	24	425	371	-12.5	25		803401486
	25-19.50/2.5	23.50-25	20	24	425	371	32.5	25		803401487
25-19.50/2.5	23.5R25	24	24	425	371	-20	22		803401488	
25-19.50/2.5	23.5-25	12	21.5	520	465	49	15		803401489	
25-19.50/2.5	23.5-25	10	27	480	405	49	15		803401490	
25-19.50/2.5	23.5-25	10	27	480	405	50.5	15		803401491	
25-19.50/2.5	23.5-25	12	27	425	370	-5	15		803401492	
25-19.50/2.5	23.5-25	10	24	480	420	4.5	15		803401493	
25-19.50/2.5	23.5-25	12	27	425	371	-50	15		803401494	
25-19.50/2.5	23.5-25	10	27	480	420	0	15		803401495	
25-19.50/2.5	23.5-25	10	27	480	420	4	15		803401496	
25-19.50/2.5	23.5-25	10	27	480	420	4.5	15		803401497	

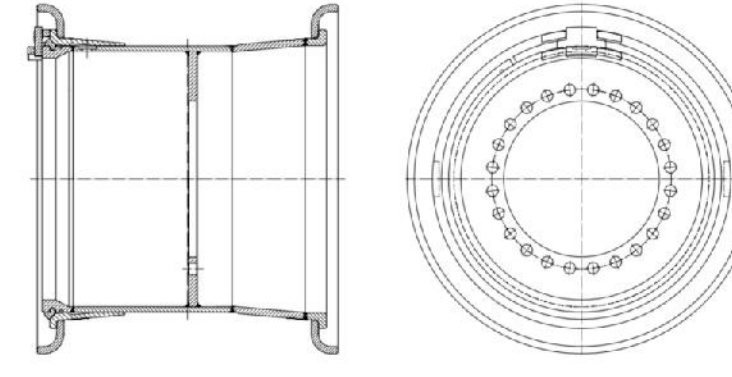
Earthmover/Construction/Off the Road equipment Series(Large Dump Trucks, Graders & Wheel Loaders, Dozers, Trucks & Load Haul Dumps, Tire Rollers & Finishers)



25"

Dia.	Rim Size	Fitted tyre	Stud Holes		PC Dia.	Center Hole Dia.	Offset/ET.	Thickness		Model No.
			No.	Dia.				Rim	Disc	
25"	25-19.50/2.5	23.5-25	19	27	500	449	150	15	803401498	
	25-19.50/2.5	23.5-25	12	27	425	370	13	15	803401499	
	25-19.50/2.5	23.5-25	20	21.5	525	427	-94.5	18	803401500	
	25-19.50/2.5	23.5-25	10	21	480	420	1.5	15	803401501	
	25-19.50/2.5	23.5-25	20	21.5	525	472.5	116	18	803401502	
	25-19.50/2.5	23.5-25	12	24	512	467	-4	16	803401503	
	25-19.50/2.5	23.5-25	18	24	324	270	-63.5	16	803401504	
	25-19.50/2.5	23.5-25	10	27	480	420	4	15	803401505	
	25-19.50/2.5	23.5-25	12	21.5	520	465	49	15	803401506	
	25-19.50/2.5	23.5-25	12	21.5	520	448	106	15	803401507	
	25-19.50/2.5	23.5-25			WITHOUT	DISC A=30,B=560			803401508	
	25-19.50/2.5	23.5-25	12	21.5	520	465	5.5	15	803401509	
	25-19.50/2.5	23.5-25	20	21.5	525	472	60	20	803401510	
	25-19.50/2.5	23.5-25	12	24	425	371	13	15	803401511	
	25-19.50/2.5	23.5-25	12	27	425	371	13	16	803401512	
	25-19.50/2.5	23.5-25	12	24	425	371	-5	15	803401513	
	25-19.50/2.5	23.5-25	16	26	425	370.2	40	15	803401514	
	25-19.50/2.5	23.5-25	18	26	320	266	-40	19	803401515	
	25-19.50/2.5	23.5-25	21	26	355	301	-100	19	803401516	
	25-19.50/2.5	23.5-25			WITHOUT	DISC A=40,B=546,C=575			803401517	
	25-19.50/2.5	23.5-25	12	24	425	370	67.5	15	803401518	
	25-19.50/2.5	23.5-25	12	27	425	370	5	15	803401519	
	25-19.50/2.5	23.5-25	10	27	335	281	-75	20	803401520	
	25-19.50/2.5	23.5-25			WITHOUT	DISC A=40,B=546,C=574.6			803401521	
	25-19.50/2.5	23.5-25	10	26	335	281	0	20	803401522	
	25-19.50/2.5	23.5-25	16	23	480	435	17.5	22	803401523	
	25-19.50/2.5	23.5-25			WITHOUT	DISC A=50,B=546,C=575			803401524	
	25-19.50/2.5	23.5-25	20	21.5	525	472	60	20	803401525	
	25-19.50/2.5	23.5-25	20	21.5	525	472.5	116	18	803401526	
	25-19.50/2.5	23.5-25	10	25	335	281	-40	20	803401527	
	25-19.50/2.5	SOLID TYRE	18	26	320	266	-40	19	803401528	
	25-19.50/2.5	23.5R25	8	32	203.2	140	71.5	16	803401529	
	25-19.50/2.5	23.5R25	10	27	480	420	275	14	803401530	
	25-19.50/2.5	23.5-25	10	27	480	420	49	16	803401531	
	25-19.50/2.5	SOLID TYRE	21	26	355	301	-60	19	803401532	
	25-19.50/2.5	SOLID TYRE			WITHOUT	DISC A=40,B=546,C=575			803401533	
	25-19.50/2.5	23.5-25	12	27	425	371	58	15	803401534	
	25-19.50/2.5	23.5-25			WITHOUT	DISC A=50,B=546,C=575			803401535	
	25-19.50/2.5	23.5-25	19	26	500	448.5	0	20	803401536	
	25-19.50/2.5	23.5-25	12	26	475	420.8	5	20	803401537	
	25-19.50/2.5	23.5-25	12	24	425	371	67.5	20	803401538	
	25-19.50/2.5	23.5-25	12	27	425	370	-5	20	803401539	
	25-19.50/2.5	23.5-25	20	27	425	371	116	20	803401540	
	25-19.50/2.5	23.5-25	12	21.6	425	371	-5	20	803401541	
	25-19.50/2.5	23.5-25	12	22.5	425	373	34.6	22	803401542	
25-19.50/2.5	23.5-25	12	25	425	370	-61	22	803401543		

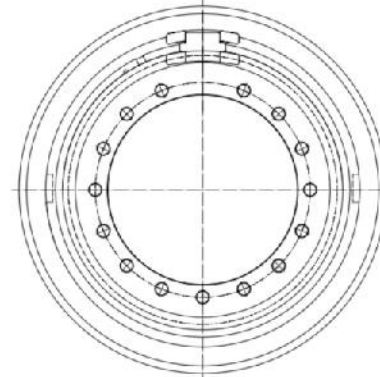
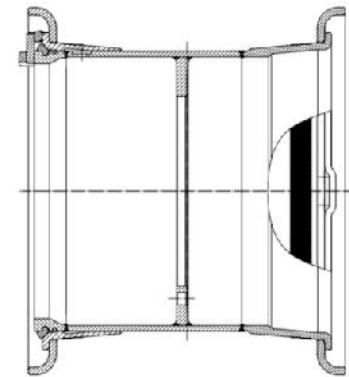
Earthmover/Construction/Off the Road equipment Series(Large Dump Trucks, Graders & Wheel Loaders, Dozers, Trucks & Load Haul Dumps, Tire Rollers & Finishers)



25"

Dia.	Rim Size	Fitted tyre	Stud Holes		PC Dia.	Center Hole Dia.	Offset/ET.	Thickness		Model No.
			No.	Dia.				Rim	Disc	
25"	25-19.50/2.5	23.5-25	14	20	310	262	27.5	20	803401544	
	25-19.50/2.5	23.5R25	16	26	425	370.2	-8.5	20	803401545	
	25-19.50/2.5	23.5R25	12	27	425	372	13	20	803401546	
	25-19.50/2.5	23.5R25	10	27	335	281	-50	25	803401547	
	25-19.50/2.5	23.5R25	10	27	335	281	0	22	803401548	
	25-19.50/2.5	23.5R25	10	27	335	281	-40	20	803401549	
	25-19.50/2.5	23.5R25	20	26	425	370.2	0	20	803401550	
	25-19.50/2.5	23.5R25	16	24	501.65	445	10	20	803401551	
	25-19.50/2.5	23.5R25	18	26	425	370.2	90	20	803401552	
	25-19.50/2.5	23.5R25	12	27	520	465	49	20	803401553	
	25-19.50/2.5	23.5R25	12	27	425	372.2	75	20	803401554	
	25-19.50/2.5	23.5R25	12	27	425	371	106	20	803401555	
	25-19.50/2.5	23.5R25	10	27	500	440	4	20	803401556	
	25-19.50/2.5	23.5R25	11	24	525	475	142	20	803401557	
	25-19.50/2.5	23.5R25	12	24	482.6	416.4	60	20	803401558	
	25-19.50/2.5	23.5R25	19	26	500	448.2	38	20	803401559	
	25-19.50/2.5	23.5-25	12	27	425	371	-45	14	803401560	
	25-19.50/2.5	23.5-25	19	24	500	449	-45	16	803401561	
	25-19.50/2.5	23.5-25	12	26	425	372	90	16	803401562	
	25-19.50/2.5	23.5-25	20	26	310	262	0	22	803401563	
	25-19.50/2.5	SOLID TYRE	20	26	310	262	0	19	803401564	
	25-19.50/2.5	23.5-25	12	26	381	325	40	20	803401565	
	25-22.00/1.84	26.50-26			WITHOUT	DISC A=60,B=552,C=568			803401566	
	25-22.00/1.84	26.50-25	24	22	422	370	20	38	803401567	
	25-22.00/1.84	26.50-25	20	21	511.18	462	-98.8	24	803401568	
	25-22.00/1.84	26.50-25	20	32	394	371.5	15	25	803401569	
	25-22.00/1.84	26.50-25	20	23	511.18	462	-92.8	24	803401570	
	25-22.00/1.84	48x2500-25.1	20	30	394	300	-4	24	803401571	
	25-22.00/1.84	26.50-25	24	22	422	370	20	38	803401572	
	25-22.00/1.84	26.50-25	20	21	511.18	462	-98.8	24	803401573	
	25-22.00/1.84	26.50-25	20	32	394	371.5	15	25	803401574	
	25-22.00/1.84	26.50-25	20	23	511.18	462	-92.8	24	803401575	
	25-22.00/1.84	48x2500-25	20	23	511.18	462	68.8	24	803401576	
	25-22.00/3.0	26.50-25	32	20	508	432	289	25	803401577	
	25-22.00/3.0	26.50-25	20	24	425	371	-12.5	25	803401578	
	25-22.00/3.0	26.50-25	20	22	410	370	-15	30	803401579	
	25-22.00/3.0	26.50-25	20	22	410	370	-12.5	22	803401580	
	25-22.00/3.0	26.50-25	30	23	425	370	-61	22	803401581	
	25-22.00/3.0	26.50-25	20	26	425	370.5	40	20	803401582	
	25-22.00/3.0	26.50-25	12	26	425	371	0	20	803401583	
	25-22.00/3.0	26.50-25	15	26	460.4	406.4	16	25	803401584	
	25-22.00/3.0	26.50-25	12	26.5	425	370	0	20	803401585	
	25-22.00/3.0	26.50-25	10	27	335	281	0	20	803401586	
	25-22.00/3.0	26.50-25	12	24	500	440	-16	20	803401587	
	25-22.00/3.0	26.50-25	20	26	375	327	0	22	803401588	
25-22.00/3.0	26.50-25	20	26	375	327	34	22	803401589		

Earthmover/Construction/Off the Road equipment Series(Large Dump Trucks, Graders & Wheel Loaders, Dozers, Trucks & Load Haul Dumps, Tire Rollers & Finishers)

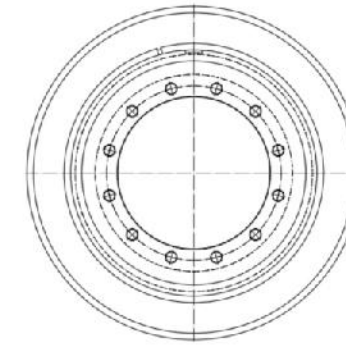
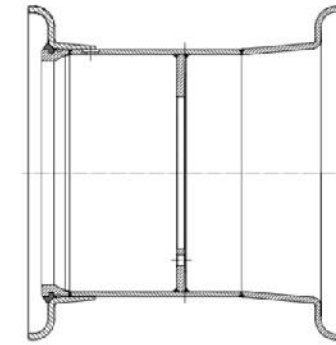


Dia.	Rim Size	Fitted tyre	Stud Holes		PC Dia.	Center Hole Dia.	Offset/EI.	Thickness		Model No.
			No.	Dia.				Rim	Disc	
25"	25-22.00/3.0	26.50-25	20	24	425	370.2	22	20	20	803401690
	25-22.00/3.0	26.50-25	16	22	400	350	-11	22	22	803401691
	25-22.00/3.0	26.50-25	20	24	425	370	-11	25	25	803401692
	25-22.00/3.0	26.50-25	12	26	381	325	0	20	20	803401693
	25-22.00/3.0	26.50-25	10	26	335	281	0	20	20	803401694
	25-22.00/3.0	26.50-25	24	21	455	411	-12.5	25	25	803401695
	25-22.00/3.0	26.50-25	24	22	455	410	-14	28	28	803401696
	25-22.00/3.0	26.50-25	20	22	425	370	-14	25	25	803401697
	25-22.00/3.0	26.50-25	20	24	425	371	-12.5	25	25	803401698
	25-22.00/3.0	26.50-25	32	20	508	432	289	25	25	803401699
	25-22.00/3.0	26.50-25	20	24	425	371	-12.5	25	25	803401700
	25-22.00/3.0	26.50-25	20	22	410	370	-15	30	30	803401601
	25-22.00/3.0	26.50-25	16	22	400	350	-11	22	22	803401602
	25-22.00/3.0	26.50-25	20	24	425	370	-11	25	25	803401603
	25-22.00/3.0	26.50-25	12	26	381	325	0	20	20	803401604
	25-22.00/3.0	26.50-25	10	26	335	281	0	20	20	803401605
	25-22.00/3.0	26.50-25	24	21	455	411	-12.5	25	25	803401606
	25-22.00/3.0	26.50-25	24	22	455	410	-14	28	28	803401607
	25-22.00/3.0	26.50-25	20	22	425	370	-14	25	25	803401608
	25-22.00/3.0	26.50-25	20	24	425	371	-12.5	25	25	803401609
	25-22.00/3.0	26.5-25	20	21.5	525	472.5	116	18	18	803401610
	25-22.00/3.0	26.5-25			WITHOUT DISC	A=40,B=546				803401611
	25-22.00/3.0	26.5-25	16	27	480	420	25	15	15	803401612
	25-22.00/3.0	26.5-25	27	21	495	455	64	15	15	803401613
	25-22.00/3.0	26.5-25	24	21	515	475	54.5	14	14	803401614
	25-22.00/3.0	26.5-25	10	26	335	281	10	20	20	803401615
	25-22.00/3.0	26.5-25	19	23.5	500	448.5	130	18	18	803401616
	25-22.00/3.0	26.5-25			WITHOUT DISC	A=50,B=544				803401617
	25-22.00/3.0	SOLID TYRE	24	26	406	351	-55	19	19	803401618
	25-22.00/3.0	26.5-25	25	23	495	456	-54.5	20	20	803401619
	25-22.00/3.0	26.5-25			WITHOUT DISC	A=40,B=546,C=575				803401620
	25-22.00/3.0	26.5-25			WITHOUT DISC	A=40,B=546,C=574.6				803401621
	25-22.00/3.0	26.5-25			WITHOUT DISC	A=50,B=544,				803401622
	25-22.00/3.0	26.5-25			WITHOUT DISC	A=40,B=546,C=574				803401623
	25-22.00/3.0	26.5-25	19	24	500	448	62.5	18	18	803401625
	25-22.00/3.0	SOLID TYRE	16	23	480	435	-50	18	18	803401626
	25-22.00/3.0	26.5-25	20	21	375	327	0	19	19	803401627
	25-22.00/3.0	26.5-25	19	24	500	448.5	117	20	20	803401628
	25-22.00/3.0	26.5-25	12	23	425	370	-61	20	20	803401629
	25-24.00/2.5	750/66R25	12	27	425	372.2	115	20	20	803401630
25-24.00/2.5	29.5-25			WITHOUT DISC					803401631	
25-24.00/3.0	29.5-25			WITHOUT DISC					803401632	
25-25.00/3.5	29.5-25			WITHOUT DISC	A=40,B=546,C=574.6				803401633	
25-25.00/3.5	29.5-25	20	21.5	512	448	206	25	25	803401634	
25-25.00/3.5	29.5-25	19	27	500	448	206	25	25	803401635	



25"

Earthmover/Construction/Off the Road equipment Series(Large Dump Trucks, Graders & Wheel Loaders, Dozers, Trucks & Load Haul Dumps, Tire Rollers & Finishers)



Dia.	Rim Size	Fitted tyre	Stud Holes		PC Dia.	Center Hole Dia.	Offset/EI.	Thickness		Model No.	
			No.	Dia.				Rim	Disc		
25"	25-25.00/3.5	29.5-25	13	21	515	475	42.5	14	14	803401636	
	25-25.00/3.5	29.5-25	10	26	335	281	51	20	20	803401637	
	25-25.00/3.5	29.5-25	30	25	500	450	161	25	25	803401638	
	25-25.00/3.5	29.5-25			WITHOUT DISC	A=50,B=544,C=572				803401639	
	25-25.00/3.5	29.5-25			WITHOUT DISC	A=35,B=546,C=574.5				803401640	
	25-25.00/3.5	29.5-25	19	27	500	451.5	54	16	16	803401641	
	25-25.00/3.5	29.5-25			WITHOUT DISC	A=40,B=546,C=572				803401642	
	25-25.00/3.5	29.5R25	23	24	422.3	369	31	20	20	803401643	
	25-25.00/3.5	29.5-25			WITHOUT DISC	A=32,B=546,C=574.6				803401644	
	25-25.00/3.5	29.5-25			WITHOUT DISC	A=40,B=546,C=574.6				803401645	
	25-25.00/3.5	SOLID TYRE	26	26	485	430	313	32	32	803401646	
	25-25.00/3.5	29.5-25	26	26	485	430.5	308.26	34	34	803401647	
	25-25.00/3.5	29.5-25	21	26	487	440	36.4	28	28	803401648	
	25-25.00/3.5	29.5-25	23	24	482.6	430	103	16	16	803401649	
	25-25.00/3.5	29.5-25	23	26	500	448.2	80	20	20	803401650	
	25-25.00/3.5	29.5-25			WITHOUT DISC	A=35,B=546,C=574				803401651	
	25-36.00/1.5	66x44.00-25	12	27	425	371	85	20	20	803401652	
	25-36.00/1.5	66x44.00-25			WITHOUT DISC	A=432,B=889,C=89				803401653	
	26"	26-16.00/1.1	18.4-26	10	27	335	281	83	20	20	803401654
		26-20.00/1.1	23.1-26	8	24	335	281	67.5	20	20	803401655
26-20.00/1.1		23.1-26	12	24	480	435	24.5	20	20	803401656	
26-20.00/1.1		23.1-26	12	26	425	370.2	35	20	20	803401657	
26-20.00/1.1		23.1-26	12	27	425	371	26	14	14	803401658	
26-20.00/1.1		23.1-26	12	24	425	370	67.5	15	15	803401659	
26-20.00/1.1		23.1-26	8	22	275	220.8	0	15	15	803401660	
26-20.00/1.1		23.1-26	8	24	203.2	152.3	0	15	15	803401661	
26-20.00/1.1		23.1-26	12	24	404	352	68.5	15	15	803401662	
26-20.00/1.1		23.1-26	10	24	335	281	39.5	15	15	803401663	
26-20.00/1.1		23.1-26	12	24	480	436	50	15	15	803401664	
26-20.00/1.1		23.1-26	12	25	480	436	60	14	14	803401665	
26-20.00/1.1		23.1-26	12	24	404	352	35.5	15	15	803401666	
26-20.00/1.1		23.1-26	INNER RIM 12	22	525	480		12	12	803401667	
26-20.00/1.1		23.1-26	OUTER RIM 12	22	525	480	67.5	16	16	803401668	
26-20.00/1.1		23.1-26	OUTER RIM 12	24	425	370				803401669	
27"		27-21.50/2.4	57*25-27/50	24	23	500	449	38	32	32	803401670
		27-23.50/2.5	57x25-27	24	24	500	449	107	32	32	803401671
	27-23.50/2.5	57*25-27/50	20	18	533	500	67	14	14	803401672	
	27-23.50/2.5	57*25-27/50	24	24	500	449	-112.2	32	32	803401673	
	27-23.50/2.5	57*25-27/50	24	24	500	449	89	32	32	803401674	
	27-23.50/2.5	57*25-27/50	24	24	500	449	-121	32	32	803401675	
	27-23.50/2.5	57*25-27/50	33	22	508	432	-254	31	31	803401676	
	27-24.50/2.4	26.00-27	33	22	508	432	215.6	32	32	803401677	
	27-26.50/2.5	57*28-27/50	33	22	508	432	225.5	32	32	803401678	

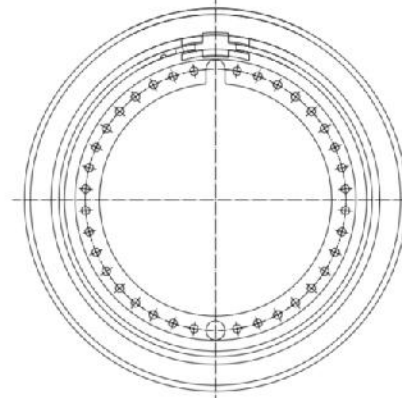
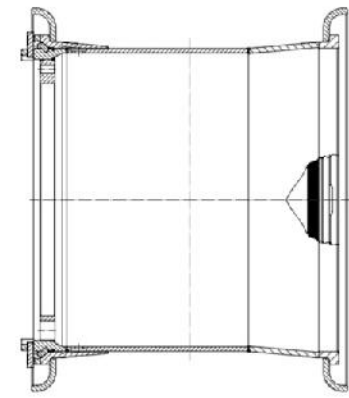


25"

26"

27"

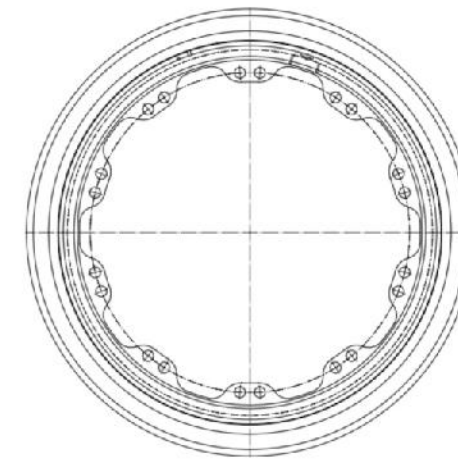
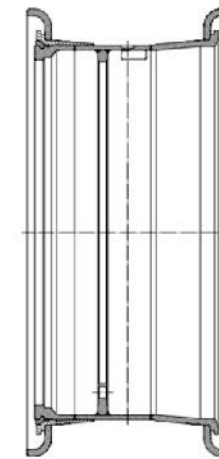
Earthmover/Construction/Off the Road equipment Series(Large Dump Trucks, Graders & Wheel Loaders, Dozers, Trucks & Load Haul Dumps, Tire Rollers & Finishers)



Dia.	Rim Size	Fitted tyre	Stud Holes		PC Dia.	Center Hole Dia.	Offset/ET.	Thickness		Model No.
			No.	Dia.				Rim	Disc	
28"	28-15.00/1.0	16.9-28	10	24	335	281	83		32	803401679
	28-15.00/1.0	16.9-28	10	24	335	281	-40		32	803401680
29"	29-17.00/3.5	24.00-29			DOUBLE DISC A=520,B=290					803401681
	29-17.00/3.5	24.00-29			WITHOUT DISC A=40,B=648					803401682
29"	29-17.00/3.5	24.00-29			WITHOUT DISC A=510,B=240					803401683
	29-24.00/3.0	776/65R29								803401684
29"	29-24.00/3.5	776/65R29			WITHOUT DISC A=40,B=648,C=672					803401685
	29-24.00/3.5	776/65R29	19	27	500	451.5	117.8		18	803401686
29"	29-25.00/3.5	29.5R29	36	22	598	558	26		36	803401687
	29-25.00/3.5	29.5R29	36	22	585	517	317.7		36	803401688
29"	29-25.00/3.5	29.5R29			WITHOUT DISC A=40,B=648,C=674					803401689
	32"	32-27.00/3.5	30.5L-35	16	23	480	435	100	32	803401690
33"	33-13.00/2.5	18.00-33	16	22	480	420	100		22	803401691
	33-13.00/2.5	18.00-33	12	22	480	420	458		22	803401692
33"	33-13.00/2.5	18.00-33	(WITH)WITHOUT		DISC A=32.5,B=546		178		33	803401693
	33-13.00/2.5	18.00-33	16	22	400	350	-11		22	803401694
33"	33-13.00/2.5	18.00-33			WITHOUT DISC A=35,B=747,C=776					803401695
	33-13.00/2.5	18.00-33			WITHOUT DISC A=15,B=723,C=775					803401696
33"	33-13.00/2.5	18.00-33	WITH (WITHOUT)		A=16,B=520		176		55	803401697
	33-13.00/2.5	18.00-33	12	28	595	547	130		35	803401698
33"	33-13.00/2.5	18.00-33			WITHOUT DISC A=35,B=732,C=775					803401699
	33-13.00/2.5	18.00-33			WITHOUT DISC A=45,B=749,C=773					803401700
33"	33-13.00/2.5	18.00-33	WITH (WITHOUT)		A=28,B=520		179		52	803401701
	33-13.00/2.5	18.00-33	12	36	660	600	141		32	803401702
33"	33-13.00/2.5	18.00-33	12	35	660	600	145		27	803401703
	33-13.00/2.5	18.00-33			WITHOUT DISC A=45,B=749,C=775					803401704
33"	33-13.00/2.5	18.00-33	12	34	640	570	139.6		36	803401705
	33-13.00/2.5	18.00-33	12	36	660.4	599.9	137		36	803401706
33"	33-13.00/2.5	18.00-33	12	36	660.4	599.9	50.8		25	803401707
	33-26.00/1.14	30.5L-32	16	22	480	420	-25		32	803401708
33"	33-28.00/3.5	35/65-33	40	21	704	660	5		38	803401709
	33-28.00/3.5	35/65-33	31	26	551	500	262		25	803401710
33"	33-28.00/3.5	35/65-33	31	26	695.33	616	254.6		40	803401711
	33-28.00/3.5	35/65-33	31	24	695.33	616	254.5		40	803401712
33"	33-28.00/3.5	35/65-33	38	26	693	617	360		40	803401713
	33-28.00/3.5	35/65-33	38	26	693	617	347		40	803401714
33"	33-28.00/3.5	35/65-33			WITHOUT DISC A=45,B=740,C=777.8					803401715
	33-28.00/3.5	35/65-33			WITHOUT DISC A=45,B=740,C=775					803401716
33"	33-28.00/3.5	35/65-33			WITHOUT DISC A=45,B=740,C=773.5					803401717
	33-28.00/3.5	35/65-33	40	20.5	704.86	660	9.5		32	803401718
33"	33-28.00/3.5	35/65-33	38	26	693	617	306		40	803401719



28"
29"
32"
33"



Earthmover/Construction/Off the Road equipment Series(Large Dump Trucks, Graders & Wheel Loaders, Dozers, Trucks & Load Haul Dumps, Tire Rollers & Finishers)

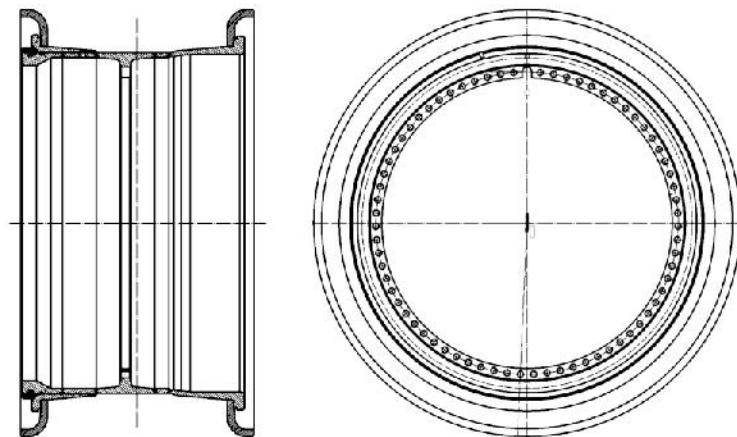


Dia.	Rim Size	Fitted tyre	Stud Holes		PC Dia.	Center Hole Dia.	Offset/ET.	Thickness		Model No.
			No.	Dia.				Rim	Disc	
34"	34-14.00/1.3		19	21	511.18	462	27		25	803401720
	34-14.00/1.3		24	20	375	330	135		26	803401721
34"	34-16.00/1.5	53X18-34	20	21	511.8	462	60		25	803401722
	34-16.00/1.5	53X18-34	19	21	511.8	462	60		32	803401723
35"	35-15.00/3.0	21.00-35	14	36	704.85	644.7	180		32	803401724
	35-15.00/3.0	21.00-35	20	26	500	449	84		32	803401725
35"	35-15.00/3.0	21.00-35			WITHOUT DISC A=25,B=774,C=824					803401726
	35-15.00/3.0	21.00-35			WITHOUT DISC A=25,B=784,C=827					803401727
35"	35-15.00/3.0	21.00-35			DOUBLE DISC A=467,B=290					803401728
	35-15.00/3.0	21.00-35			WITHOUT DISC A=464B=240					803401729
35"	35-15.00/3.0	21.00-35			WITHOUT DISC A=466B=360					803401730
	35-15.00/3.0	21.00-35			DOUBLE DISC A=463,B=375					803401731
35"	35-15.00/3.0	21.00-35	14	36	704.85	644.7	44.8		26	803401732
	35-15.00/3.0	21.00-35	12	32	710	659	110.5		35	803401733
35"	35-15.00/3.0	21.00-35	16	22	400	350	-11		22	803401734
	35-15.00/3.0	21.00-35			WITHOUT DISC A=35,B=800,C=828					803401735
35"	35-17.00/3.5	21.00-35	12	32	710	659	156		35	803401736
	35-17.00/3.5	24.00-35	14	36	704.85	644.7	134		32	803401737
35"	35-17.00/3.5	24.00-35	14	36	704.85	644.7	122.69		32	803401738
	35-17.00/3.5	24.00-35	20	26	480	430	0		32	803401739
35"	35-17.00/3.5	24.00-35			WITHOUT DISC A=25,B=784,C=827					803401740
	35-17.00/3.5	24.00-35			WITHOUT DISC A=45,B=795,C=825					803401741
35"	35-17.00/3.5	24.00-35			WITHOUT DISC A=40,B=782,C=820					803401742
	35-17.00/3.5	24.00-35			WITHOUT DISC A=40,B=795,C=827					803401743
35"	35-17.00/3.5	24.00-35			WITHOUT DISC A=45,B=759,C=827					803401744
	35-17.00/3.5	24.00-35			WITHOUT DISC A=45,B=800,C=825					803401745
35"	35-22.00/3.5	SOLID TYRE	23	24	483	431	268		20	803401746
	35-22.00/3.5	SOLID TYRE	20	25.4	375	327	-26.4		32	803401747
35"	35-22.00/3.5	24.00-25	14	36	500	644.7	124.5		32	803401748
	35-22.00/3.5	SOLID TYRE	24	25.4	704.86	449	-123		32	803401749
35"	35-22.00/3.5	SOLID TYRE	14	25.4	304.5	241.3	111.3		32	803401750
	35-22.00/3.5	SOLID TYRE			WITHOUT DISC A=40,B=495,C=826					803401751
45"	45-36.00/4.5	45/65R45			WITHOUT DISC					803401752
	45-36.00/4.5	45/65R45	53	21	950	850	50		50	803401753
49"	49-17.00/3.5	24.00-49			DOUBLE DISC A=425,B=430					803401754
	49-17.00/3.5	24.00-49			DOUBLE DISC A=425,B=430					803401755
49"	49-19.50/4.0	27.00-49			WITHOUT DISC A=20,B=1120,C=1184					803401756
	49-19.50/4.0	27.00-49	36	20.6	500	460	15		35	803401757
49"	49-19.50/4.0	27.00-49	20	36	1035	975	52.6		30	803401758
	49-19.50/4.0	27.00-49	20	36	1035	975	32.7		32	803401759
49"	49-19.50/4.0	27.00-49	20	36	1035	975	67.5		32	803401760
	49-19.50/4.0	31/90R49								803401761



34"
35"
45"
49"

Earthmover/Construction/Off the Road equipment Series(Large Dump Trucks, Graders & Wheel Loaders, Dozers, Trucks & Load Haul Dumps, Tire Rollers & Finishers)



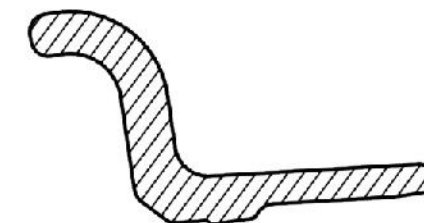
Dia.	Rim Size	Fitted tyre	Stud Holes		PC Dia.	Center Hole Dia.	Offset/ET.	Thickness		Model No.
			No.	Dia.				Rim	Disc	
51"	51-22.00/3.0	SOLID TYRE	36	20.6	597.66	558.2	0		35	803401762
	51-24.00/5.0	33.00R51	45	27	1123	1074	338		38	803401763
	51-24.00/5.0	33.00R51			WITHOUT	DISC				803401764
57"	51-28.00/4.5	SOLID TYRE	38	26	693	617	405		40	803401765
	57-27.00/6.0	37.00R57			WITHOUT	DISC				803401766
	57-29.00/6.0	40.00R57, 37.00R57			WITHOUT	DISC				803401767
63"	57-29.00/6.0	40.00R57, 46/90R57			WITHOUT	DISC A=58.53B=1301C=1365				803401768
	57-29.00/6.0	40.00R57, 46/90R57	38	26	693	617	27.8		38	803401769
	57-29.00/6.0	37.00R57	38	26	693	617	37.9		38	803401770
	57-29.00/6.0	40.00R57, 46/90R57	53	27.5	1123	1073.5	396		38	803401771
	57-32.00/6.0	46/90R57								803401772
	57-32.00/6.5	50/90R57								803401773
	57-34.00/5.0	50/80-57								803401774
	57-36.00/6.0	50/80-57								803401775
	57-44.00/6.0	49.5-57, 50/80-57								803401776
	57-47.00/6.0	58/85R57								803401777
63"	57-47.00/6.0	60/80R57								803401778
	63-36.00/5.0	53/80R63			WITHOUT	DISC A=88,B=1430.4,C=1498.6				803401779
	63-36.00/5.0	53/80R63								803401780
	63-41.00/5.0	55/80R63	54	39	1376	1310	657		62	803401781
	63-44.00/5.0	58/80R63	54	39	1376	1310	657		62	803401782



51"
57"
63"

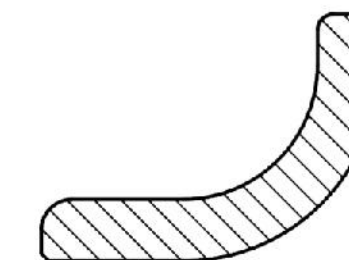
Wheel & Rim Components

Side Ring

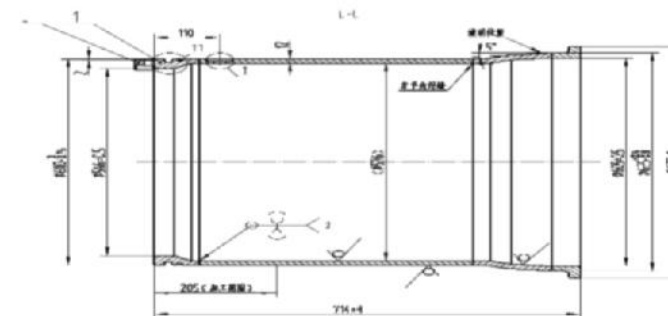


Flanges (Side Ring) - 3PC

Rim Diam	Flange Size	PART NO.
24"	F24"/1.4	F8024
	F24"/1.7	F1024
25"	F25"/1.5	F8525
	F25"/1.5	F1025
	F25"/1.3	F1225
	F25"/1.7	F2517



Rim Base

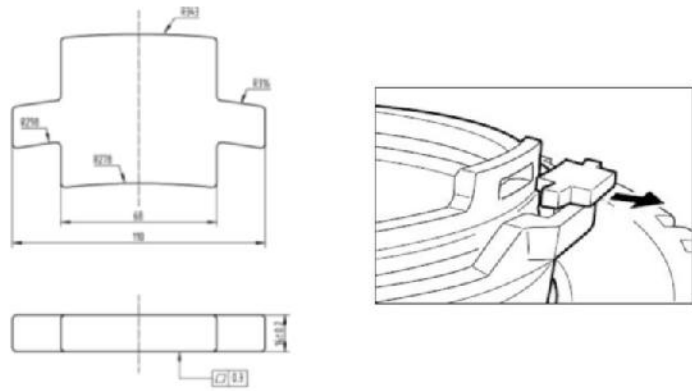


Flanges (Side Ring) - 5PC

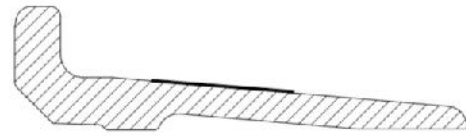
Rim Diam	Side Ring Size	PART NO.
25"	S25"/1.5	S1525
	S25"/2.0	S2025
	S25"/2.5	S2525
	S25"/3.0	S3025
29"	S25"/3.5	S3525
	S29"/3.0	S3029
33"	S29"/3.5	S3529
	S33"/2.5	S2533
	S33"/3.5	S3533
35"	S33"/4.0	S4033
	S33"/4.5	S4533
	S35"/3.0	S3035
39"	S35"/3.5	S3535
	S35"/4.0	S4035
45"	S39"/4.0	S4039
	S39"/4.5	S4539
49"	S45"/4.5	S4545
	S49"/3.5	S3549
51"	S49"/4.0	S4049
	S51"/4.5	S4551
57"	S51"/5.0	S5051
	S57"/5.0	S5057
	S57"/6.0	S6057
63"	S57"/6.5	S6557
	S63"/5.0	S5063



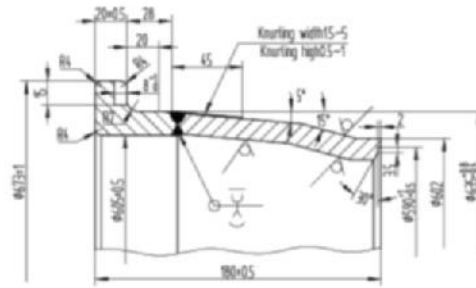
Drive Key



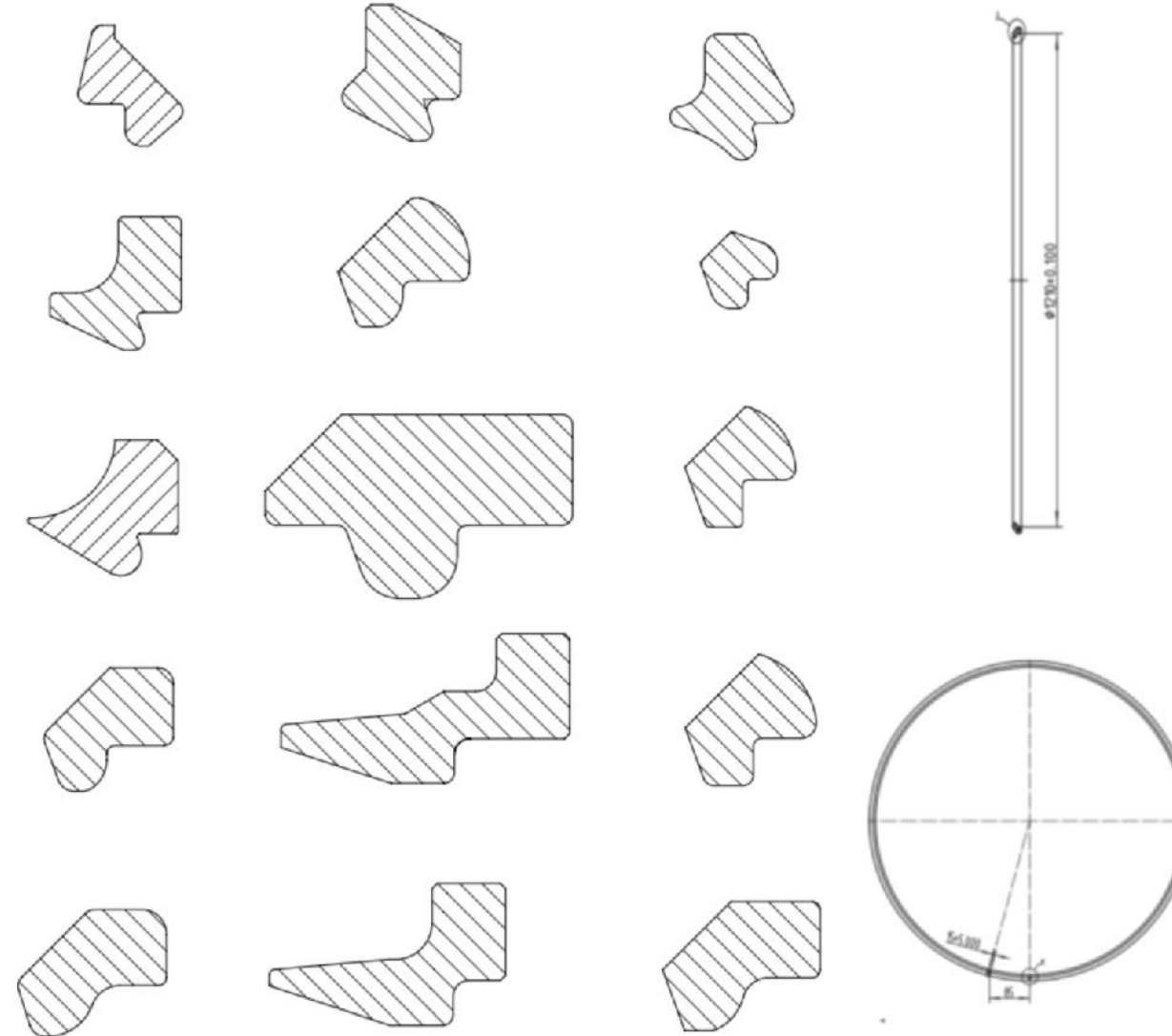
Bead Seat Band



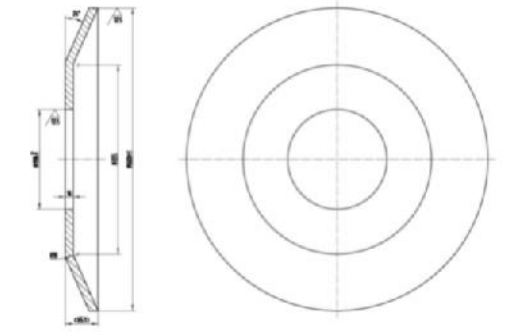
Back Section



Lock Ring

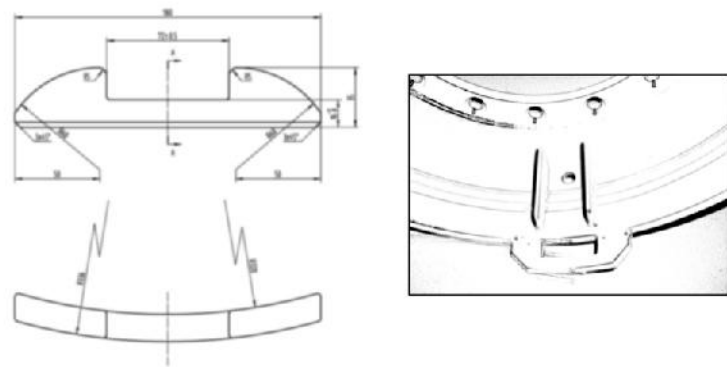


Disc

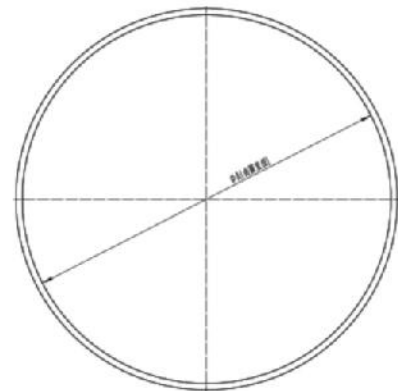


Pressed disc

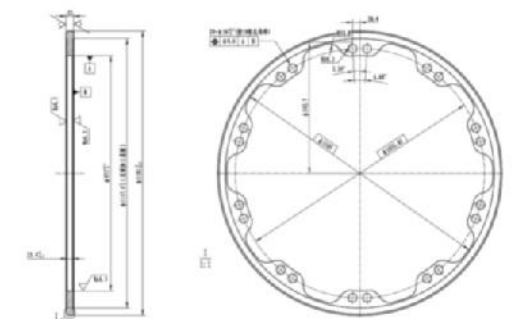
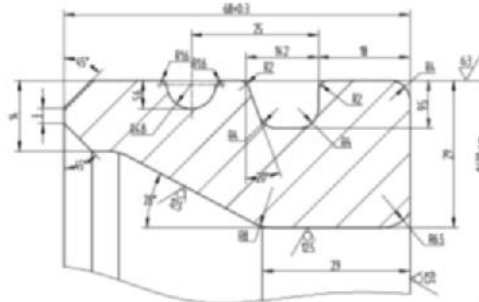
Bead Seat Band Driver Pocket



O-Ring



Gutter Section

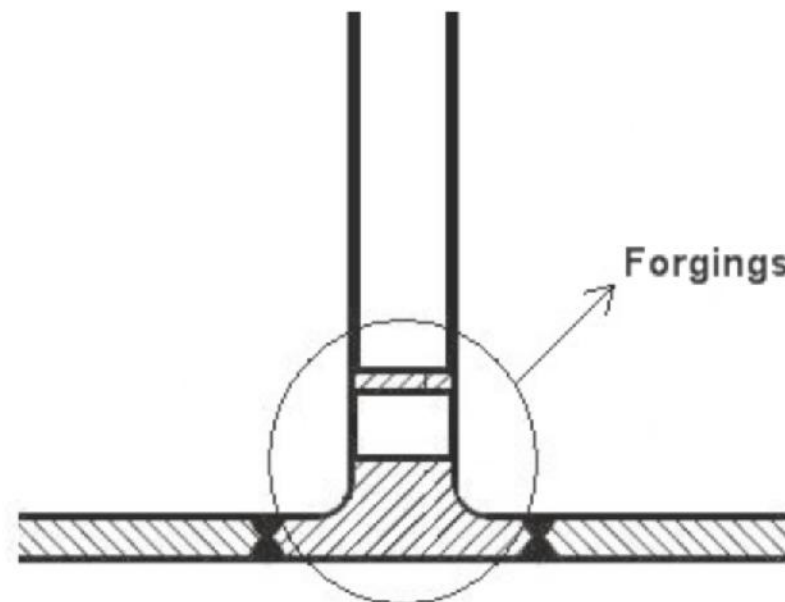
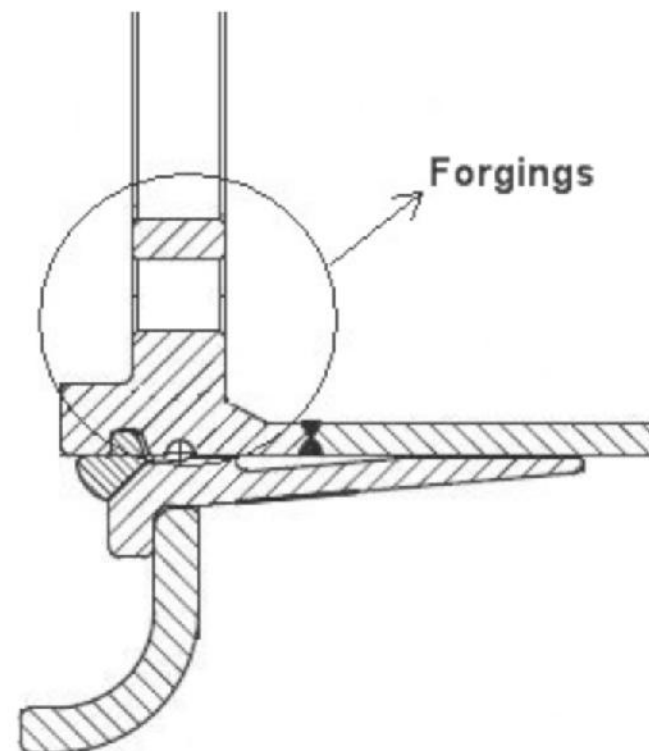


Flap disc



NEW TECHNICAL DESIGN

1. Forging)



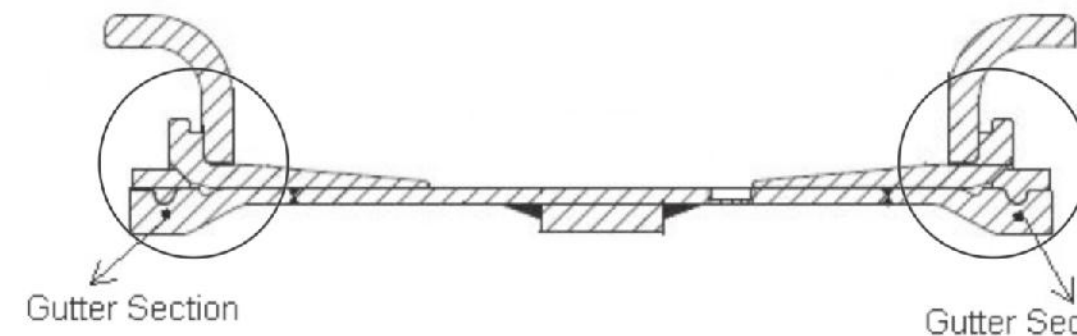
Steel materials code Q345B, Q345D & Q345E (minus 25-35°C)

Available in wheel sizes 25" - 63"

Why "Forgings"

- 1) The forging process produces directional alignment (grain flow) which is an important component in obtaining optimum strength properties in the metal.
 - 2) Through proper grain flow orientation; the forging process can develop the maximum impact strength and fatigue resistance possible in a metal.
 - 3) A forging's structural reliability is exceptional compared to other metalworking processes. There are no butt welds, the sections are stressed relieved and we are able to use higher quality steel than with the cold rolling process.
- Forging is not the least expensive method but it produces the highest quality product available and is by far superior to any other method of wheel manufacturing.

2. DGS type (Double Gutter Section)

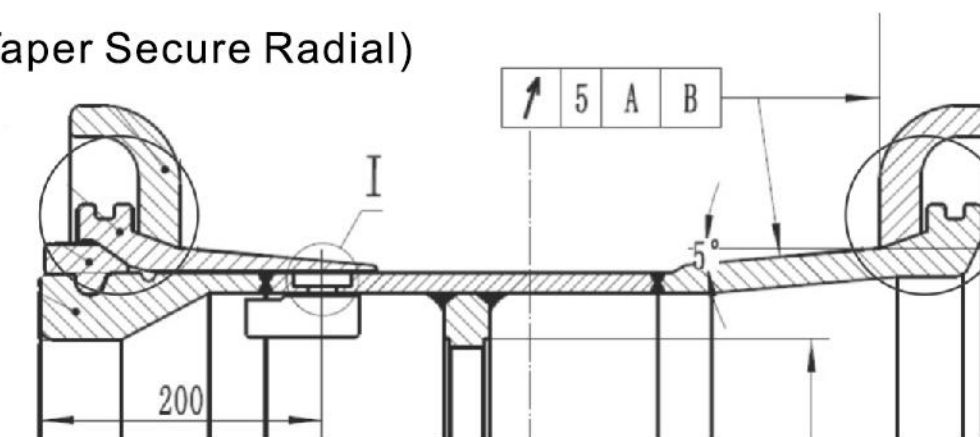


Why "DGS"

- 1) Reduce the risk of injury to tireman- innovative design allows safer and easier tire changes.
- 2) Increase availability & profitability- tire changes to be completed in a fraction of the time, as the outer dual wheel is never removed from the truck, keeping the vehicle in operation longer.
- 3) Eliminate the use of impact wrenches - no torquing and re-torquing required and less chance of wheels running loose.
- 4) Easier component assembly and removal - unique two-piece lock ring makes tire wheel/rim assembly & disassembly easier.

Available in wheel sizes 57"-29.00, 63"-44.00

3. TSR type (Taper Secure Radial)



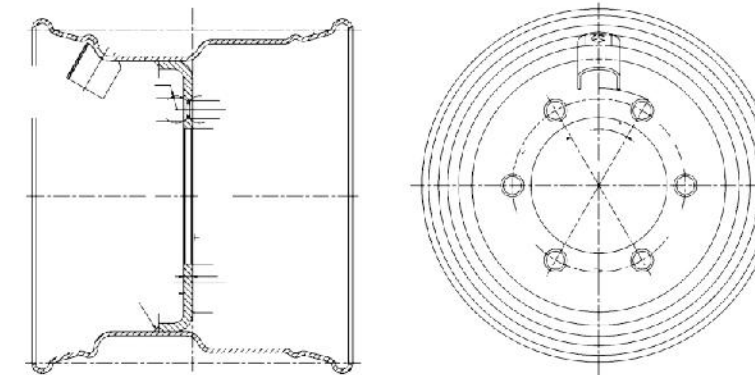
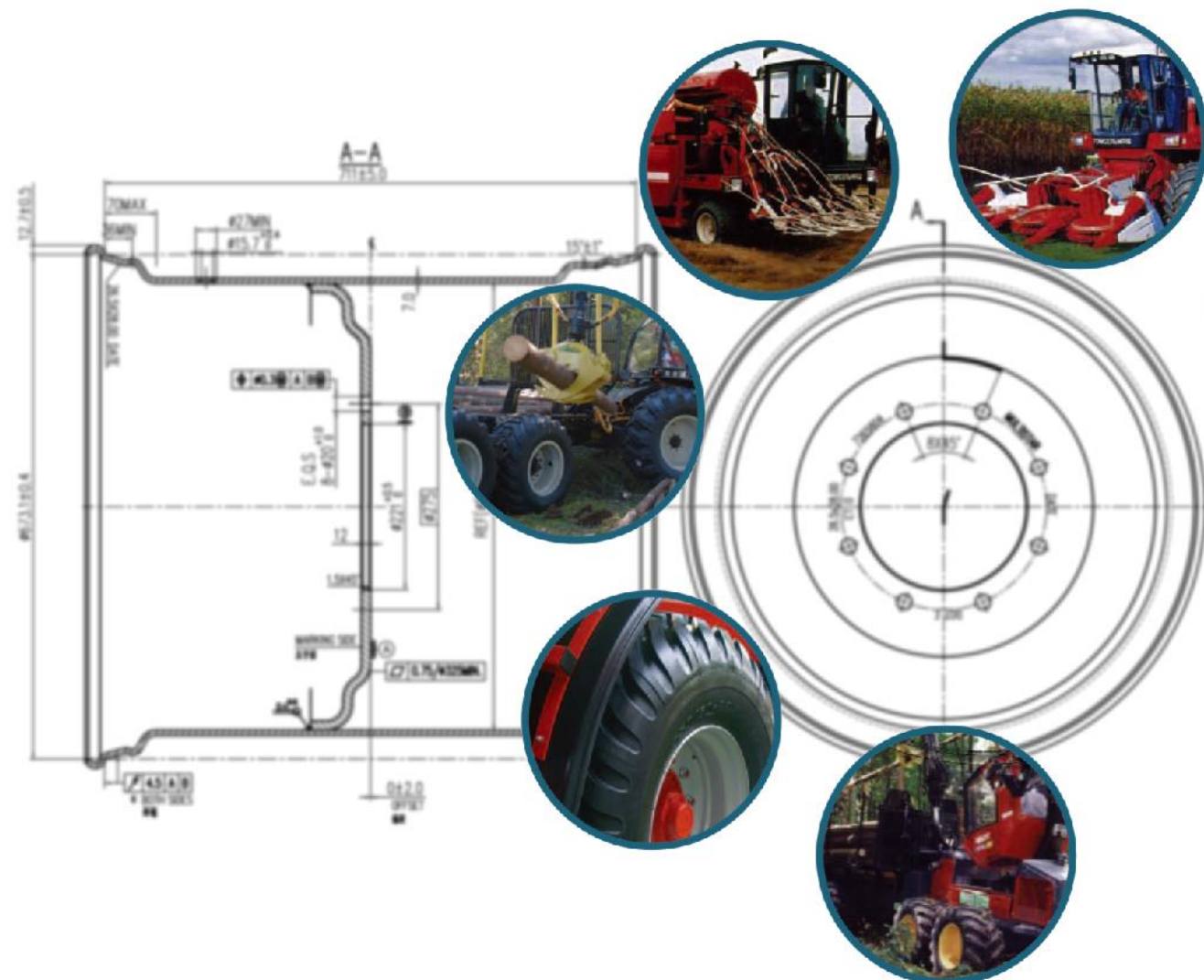
Why "TSR"

- 1) The tapered design and increased material in critical mass areas eliminates component movement and flexing.
- 2) The close machining tolerances and the 100% roundness of the machined taper design virtually eliminates beadseat band and lock ring damages that are common with standard designs.
- 3) The fully machined bead seating areas of the rim makes the mounting and demounting of tires easier and faster, reducing the truck's downtime.

Available in wheel sizes 25" - 63"



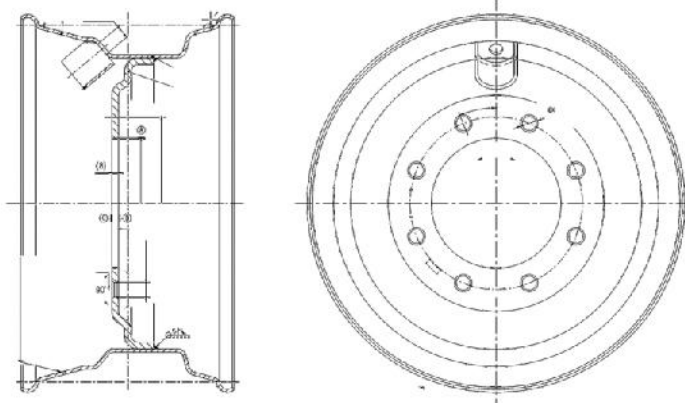
■ With one-piece 5° /15° drop center rim (for agricultural heavy Trailers, liquid manure carts, forestry machines and multi-purpose vehicles)



12"
13"
15"
15.3"
15.5"
16"

Dia.	Rim Size	Fitted tyre	Stud Holes		PC Dia.	Center Hole Dia.	Offset/ET	Thickness		Model No.	
			No.	Dia.				Rim	Disc		
12"	5.00S-12	7.00-12	8	28	190	145	0	4	6	803402001	
	7.00-12	10.0/80-12	4	31	100	57	0	3	5	803402002	
	7.00-12	10.0/80-12	5	31	112	67	-50	3	5	803402003	
	8.50Lx12H2	23x10.5-12	5	13.5	100	60	-50	4	8	803490055	
	8.50Lx12H2	23x10.5-12	5	13.5	140	94	0	4	8	803490056	
	10.5Lx12H2	26x12.00-12	4	14.5	100	60	0	4	8	803490057	
13"	10.5Lx12H2	26x12.00-12	5	13.5	114.3	79.5	-22	4	8	803490058	
	10.5Lx12H2	26x12.00-12	5	16	112	67	0	4	8	803490059	
	10.5Lx12H2	26x12.00-12	5	13.5	140	94	0	4	8	803490060	
	10.5Lx12H2	26x12.00-12	6	21.5	205	161	0	4	8	803490061	
	13X4 1/2J	5.50-13	4	15	114.3	66.6	34	4	3	803402004	
	13X4J	5.50-13	5	15	139.7	110	34	3.5	4	803402005	
15"	13X4J	5.50-13	5	15	139.7	110	34	3	4	803402006	
	7.00T-15	28X9.00 -15 EM	6	32	200	150	77	10	12	803402007	
	7.00T-15	9.5L-15	5	21.5	225	180	-5	10	12	803402008	
	7.00T-15	9.5L-15	6	23	220	180	-20	10	12	803402009	
	7.00T-15	9.5L-15	8	26	210	165	0	10	12	803402010	
	7.00T-15	9.5L-15	6	32	220	170	0	10	12	803402011	
	7.00T-15	9.5L-15	8	26	190	145	0	10	12	803402012	
	8LBx15	10-15 11L-15	6	20.5	205	161	0	4	7	803402013	
	8LBx15	10-15 11L-15	6	16.5	175	115.5	0	4	6	803402014	
	8LBx15	10-15 11L-15	6	21.5	205	161	0	4	8	803402015	
	10LBx15	12.5L-15	6	20.5	205	161	0	4	8	803402016	
	15.3"	13x15	31x15.5-15	6	20.5	205	161	0	4	10	803402017
13LBx15		31x15.5-15	7	20.5	205	161	0	4	10	803402018	
9.00X15.3			5	18.5	140	94	0	4	8	803402019	
9.00X15.3			6	21.4	205	161	0	4	6	803402020	
9.00X15.3			6	21.4	205	161	0	4	8	803402021	
9.00X15.3		10.0/75-15.3 Impl.	6	21.4	205	161	0	4	10	803402022	
9.00X15.3		11.5/80-15.3 Impl.	6	20.5	205	161	-20	4	8	803402023	
9.00X15.3		12.5/80-15.3 Impl.	6	20.5	205	161	-50	4	8	803402024	
9.00X15.3			6	20.5	205	161	0	4	8	803402025	
9.00X15.3			6	20.5	205	161	0	4	10	803402026	
15.5"		15.5x13.00	400/65-15.5	6	21.5	205	161	0	5	10	803402027
		15.5x13.00	400/65-15.5	6	21.5	205	161	-15	5	10	803402028
	15.5x16.00	500/55-15.5	6	21.5	205	161	0	5	10	803402029	
	6.00x16	9.00-16	6	32.5	222.25	164	128	5	9	803402030	
16"	6.00x16	9.00-16	5	29	203.2	146	128	5	9	803402031	
	8LBx16	10.00-16 EM	6	21.5	205	161	-5	5	10	803402032	
	8LBx16	10.5/65-16 Impl.	6	21.5	205	161	30	5	10	803402033	
	8LBx16	10.5/65-16 Impl.	10	27	335	281	0	5	10	803402034	
	8LBx16	10.5/65-16 Impl.	10	27	335	281	20	5	10	803402035	
	10LBx16	12.5/60-16	6	21.5	205	161	30	5	10	803402036	
	10LBx16	12.5/60-16	10	27	335	281	30	5	10	803402037	
	11x16	13.0/55-16 Impl.	6	21.5	205	161	0	5	10	803402038	
	11x16	13.0/75-16 Impl.	6	21.5	205	161	13	5	10	803402039	

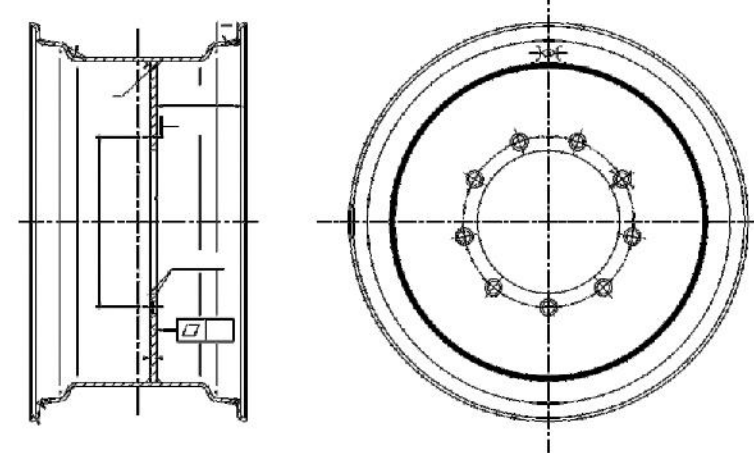
With one-piece 15° drop center rim (for agricultural heavy Trailers, liquid manure carts, forestry machines and multi-purpose vehicles)



16.5"
17"
18"

Dia.	Rim Size	Fitted tyre	Stud Holes		PC Dia.	Center Hole Dia.	Offset/ET.	Thickness		Model No.	
			No.	Dia.				Rim	Disc		
16.5"	16.5x8.25	10-16.5	6	21.5	205	161	0	4	8	803402040	
	16.5x8.25	10-16.5	8	21.5	203.2	152.4	-29	4	8	803402041	
	16.5x9.75	12-16.5	6	21.5	205	161	0	4	8	803402042	
	16.5x9.75	12-16.5	8	21.5	203.2	152.4	-11	4	8	803402043	
17"	13.00x17	15.0/55-17 Impl.	6	21.5	205	161	-45	5	10	803402044	
	13.00x17	15.0/55-17 Impl.	6	21.5	205	161	0	5	10	803402045	
	13.00x17	15.0/55-17 Impl.	6	21.5	205	161	45	5	10	803402046	
	13.00x17	15.0/55-17 Impl.	8	21.5	275	221	0	5	10	803402047	
	13.00x17	15.0/55-17 Impl.	8	16.5	203.2	152.4	-15	5	10	803402048	
	13.00x17	15.0/55-17 Impl.	8	22	203.2	152.4	15	5	10	803402049	
	13.00x17	15.0/55-17 Impl.	6	18.5	152.4	117.7	25	5	10	803402050	
	13.00x17	15.0/55-17 Impl.	6	21.5	205	161	0	5	10	803402051	
	13.00x17	15.0/55-17 Impl.	8	16.6	203.2	152.4	40	5	10	803402052	
	13.00x17	15.0/55-17 Impl.	8	16.5	203.2	152.4	38	5	10	803402053	
	13.00x17	15.0/55-17 Impl.	8	21.5	275	221	0	5	10	803402054	
	16.00x17			6	21.5	205	161	-92	5	10	803402055
	16.00x17			6	21.5	205	161	-35	5	10	803402056
	16.00x17			6	21.5	205	161	0	5	10	803402057
	16.00x17			8	21.5	275	221	-35	5	10	803402058
	16.00x17	19.0/45-17		8	21.5	275	221	0	5	10	803402059
16.00x17	500/50-17		6	21.5	205	161	0	5	10	803402060	
16.00x17			6	21.5	205	161	70	5	10	803402061	
16.00x17			8	16.6	203.2	152.4	70	5	10	803402062	
16.00x17			8	16.5	203.2	152.4	38	5	10	803402063	
16.00x17			8	27	275	221	0	5	10	803402064	
18"	9.00x18		5	21.5	335	281	18	4	8	803402065	
	9.00x18		6	21.5	205	161	-20	4	8	803402066	
	9.00x18	10.5/80-18	6	21.5	205	161	0	4	8	803402067	
	9.00x18	12.5/80-18	8	27	275	221	0	4	8	803402068	
	11.00x18	12.5-18 MPT	5	21.5	335	281	32	5	10	803402069	
	11.00x18	12.5/65-18 EM	6	21.5	205	161	0	5	10	803402070	
	11.00x18	12.5/80-18 Impl.	6	21.5	205	161	50	5	10	803402071	
	11.00x18	13.0/65-18 Impl.	8	17	203.2	152.4	-55	5	10	803402072	
	11.00x18	13.0/65-18 Impl.	8	17	275	221	0	5	10	803402073	
	11.00x18	13.0/65-18 Impl.	8	17	275	221	55	5	10	803402074	
	13.00x18	15.5/60-18	6	21.5	205	161	0	5	10	803402075	
	13.00x18	405/70-18	6	21.5	205	161	-40	5	10	803402076	
13.00x18	15.5/60-18	8	27	275	221	0	5	10	803402077		
13.00x18	15.5/60-18	8	27	275	221	-40	5	10	803402078		

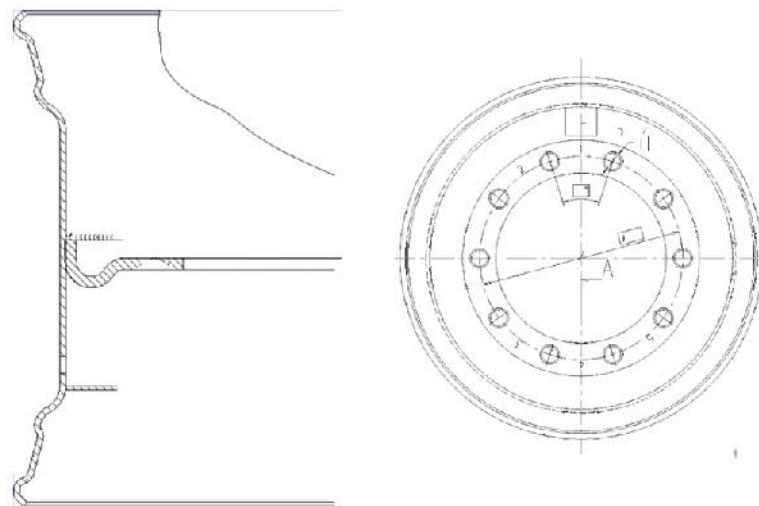
With one-piece 15° drop center rim (for agricultural heavy Trailers, liquid manure carts, forestry machines and multi-purpose vehicles)



19.5"
20"
24"

Dia.	Rim Size	Fitted tyre	Stud Holes		PC Dia.	Center Hole Dia.	Offset/ET.	Thickness		Model No.	
			No.	Dia.				Rim	Disc		
19.5"	19.5x7.50	9.5R19.5	6	21.5	205	161	0	6	12	803402079	
	19.5x7.50	10R19.5	8	21.5	275	221	0	6	12	803402080	
	19.5x8.25	285/70R19.5	6	21.5	205	161	0	6	12	803402081	
	19.5x11.75	15R19.5	6	21.5	205	161	0	6	12	803402082	
	19.5x11.75	15R19.5	8	21.5	275	221	0	6	12	803402083	
	19.5x13.00	425/65R19.5	6	21.5	205	161	0	6	12	803402084	
	19.5x13.00	425/65R19.5	8	21.5	275	221	0	6	12	803402085	
	19.5x14.00	18-19.5	8	21.5	275	221	0	6	12	803402086	
	19.5x14.00	18-19.5	10	26	335	281	-10	6	12	803402087	
	20"	9.00x20	10.5-20 MPT	6	21.5	205	161	0	5	10	803402088
9.00x20		12.5/80-20 Impl.	8	21.5	275	221	0	5	10	803402089	
11.00x20			8		275	221	0			803402090	
11.00x20		12.5-20	8		275	221	12			803402091	
11.00x20		14.5R20	5		160	110	0			803402092	
11.00x20		335/80R20	8		275	221	50			803402093	
11.00x20		365/80R20	6		205	161	-20			803402094	
11.00x20		375/75R20	6		205	161	45			803402095	
13.00x20			6		205	161	-45			803402096	
13.00x20		16/70-20	6		205	161	0			803402097	
24"	13.00x20	405/70-20 EM	8		275	221	0			803402098	
	13.00x20	425/70-20 EM	8		275	221	-10			803402099	
	14.00x20	16.0/70-20 Impl.	6		205	161	0			803402100	
	14.00x20	425/70-20 EM	8		275	221	-10			803402101	
	14.00x20	435/70R20	8		275	221	0			803402102	
	16.00x20	500/55-20 Impl.	6		205	161	0			803402103	
	24"	11x24	320/70R24EM	8		275	221	0			803402104
		11x24	360/70R24EM	8		275	221	-30			803402105
		13x24	14.9/80-24	8		275	221	0			803402106
		13x24	15.5/80-24	8		275	221	-40			803402107
13x24		16.9-85-24	10		335	281	0			803402108	
13x24		380/70R24EM	10		335	281	-40			803402109	
13x24		455/70R24EM	10		335	281	75			803402110	
14x24		16.9/85-24	5		335	291	-44			803402111	
14x24		17.5L-24	8		275	221	-10			803402112	
14x24		420/70R24 EM	8		275	221	0			803402113	
14x24	480/70R24 EM	10		335	281	0			803402114		
14x24	480/70R24 EM	10		335	281	10			803402115		
16x24	18.5-24	6		205	161	-25			803402116		
16x24	19.5L-24	8		275	221	-80			803402117		
16x24	475/70R24EM	8		275	221	0			803402118		
16x24	555/70R24EM	10		335	281	0			803402119		
16x24	555/70R24EM	10		335	281	50			803402120		

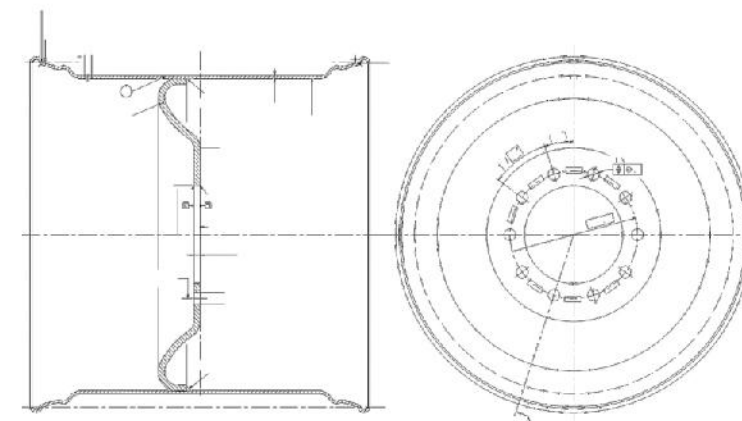
With one-piece 15° drop center rim (for agricultural heavy Trailers, liquid manure carts, forestry machines and multi-purpose vehicles)



25"
22.5"

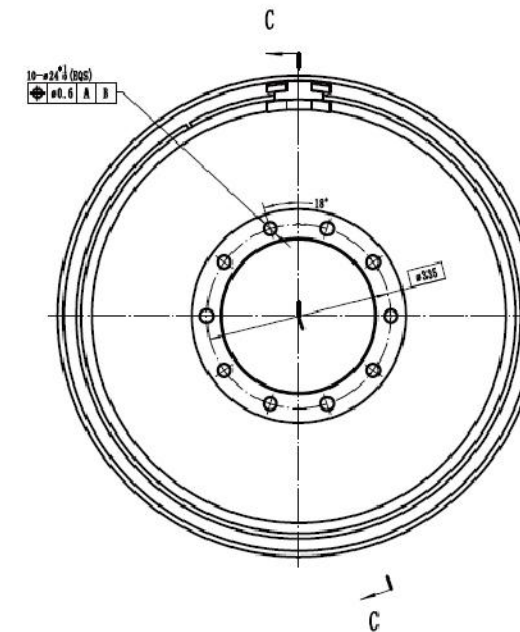
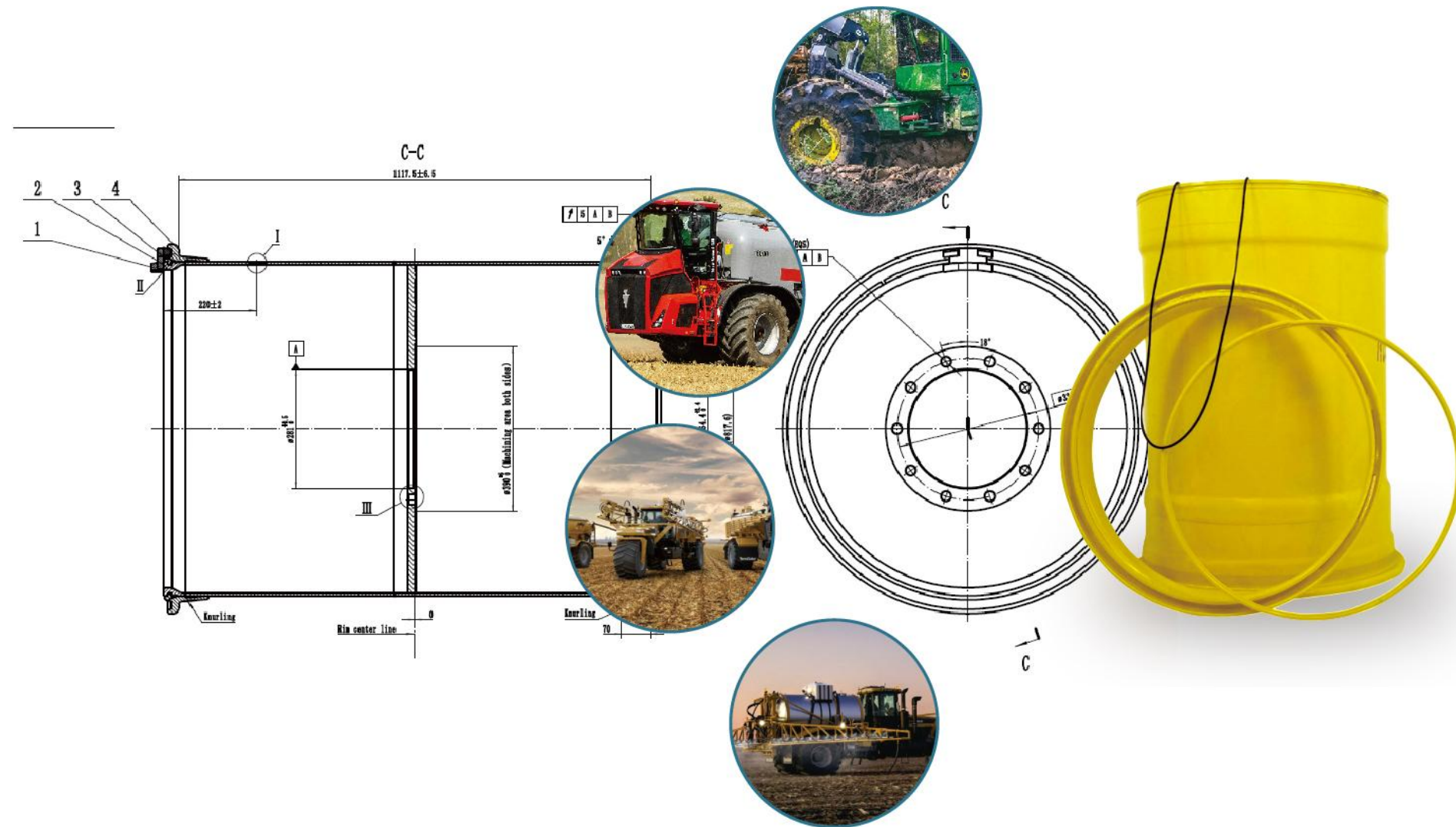
Dia.	Rim Size	Fitted tyre	Stud Holes		PC Dia.	Center Hole Dia.	Offset/ET.	Thickness		Model No.
			No.	Dia.				Rim	Disc	
25"	12.00x25	15.5-25 EM	8		275	221	45			803402121
	12.00x25	15.5-25 EM	8		275	221	0			803402122
	12.00x25	15.5-25 EM	10		335	281	15			803402123
	12.00x25	15.5-25 EM	10		335	281	70			803402124
	14.00x25	17.5-25 EM	8		275	221	10			803402125
	14.00x25	17.5-25 EM	10		335	281	35			803402126
22.5"	14.00x25	17.5-25 EM	10		335	281	-55			803402127
	22.5x8.25	11R22.5	8	16.6	203.2	152.4	-38	6	12	803402128
	22.5x8.25	11R22.5	10	32	335	281	0	7	12	803402129
	22.5x9.00	12R22.5	6	21.5	205	161	7	0	12	803402130
	22.5x9.00	12R22.5	8	21.5	275	221	-10	7	11	803402131
	22.5x9.00	12R22.5	8	21.5	275	221	7	0	12	803402132
	22.5x9.00	12R22.5	10	26	335	281	0	7	14	803402133
	22.5 x 11.75	385/65R22.5	10	Φ27	Φ335	Φ281	0	7	12	803402134
	22.5 x 11.75	375/90R22.5	10	Φ27	Φ335	Φ281	201	7	14	803402135
	22.5 x 11.75	385/55R22.5	10	Φ27	Φ335	Φ281	120	7	14	803402136
	22.5 x 11.75	385/55R22.5	10	Φ26	Φ335	Φ281	0	7	12	803402137
	22.5 x 11.75	385/55R22.5	8	Φ16.5	Φ203.2	Φ152.5	22	7	12	803402138
	22.5 x 11.75	385/55R22.5	8	Φ32	Φ275	Φ214	2	7	16	803402139
	22.5x13.00	415/45R22.5	10	32	Φ335	Φ281.5	0	7	16	803402140
	22.5x13.00	415/45R22.5	8	22	Φ203.2	152.4	0	6	12	803402141
	22.5x13.00	415/45R22.5	10	20.6	285.75	220	0	6	12	803402142
	22.5 x 14.00	18R22.5	10	Φ27	Φ335	Φ281.5	75	7	16	803402143
	22.5 x 14.00	415/45R22.5	10	Φ26	Φ335	Φ281	20	7	16	803402144
	22.5 x 14.00	425/65R22.5	10	Φ32.5	Φ285.75	Φ221.5	117	7	16	803402145
	22.5 x 14.00	435/45R55.5	10	Φ27	Φ335	Φ281	175.5	7	16	803402146
	22.5 x 14.00	445/65R22.5	10	Φ35	Φ335	Φ272	72	7	16	803402147
	22.5 x 14.00	445/75R22.5	10	Φ27	Φ335	Φ281	18	7	16	803402148
	22.5 x 14.00	445/75R22.5	10	Φ32.5	Φ335	Φ281.5	74	7	14	803402149
	22.5 x 14.00	445/65R22.5	10	Φ32.5	Φ285.75	Φ221.5	60	7	16	803402150
	22.5 x 14.00	435/45R55.5	10	Φ27	Φ335	Φ281	133	7	16	803402151
	22.5 x 14.00	425/65R22.5	10	Φ35	Φ335	Φ272	85	7	16	803402152
	22.5 x 14.00	415/45R22.5	10	Φ30	Φ285.75	Φ217.5	85	7	16	803402153
	22.5 x 14.00	415/45R22.5	10	Φ27	Φ335	Φ281.5	86	7	16	803402154
	22.5 x 14.00	445/65R22.5	10	Φ27	Φ335	Φ281	0	7	16	803402155
	22.5 x 14.00	435/45R55.5	10	Φ27	Φ335	Φ281	-40	7	16	803402156
	22.5x16.00	500/45-22.5	6		Φ205	Φ161	0	6	12	803402157
	22.5x16.00	500/60-22.5	8	Φ27	Φ275	Φ221	-30	6	12	803402158
	22.5x16.00	550/45-22.5	8	Φ27	Φ335	Φ281	0	6	12	803402159
	22.5x16.00	550/60-22.5	10	Φ27	Φ335	Φ281	-50	6	12	803402160
	22.5x16.00	550/60-22.5	10	Φ27	Φ335	Φ281	0	6	12	803402161
	22.5x20.00	600/55-22.5	8	Φ27	Φ275	Φ221	0	7	15	803402162
22.5x20.00	650-50-22.5	8	Φ27	Φ275	Φ221	-50	7	15	803402163	
22.5x20.00	600/55-22.5	10	Φ27	Φ335	Φ281	-50	7	15	803402164	
22.5x20.00	600/55-22.5	10	Φ27	Φ335	Φ281	0	7	15	803402165	
22.5x24.00	700/40-22.5	8	Φ27	Φ275	Φ221	0	7	15	803402166	

With dimensions 15° drop center rim (for agricultural heavy Trailers, liquid manure carts, forestry machines and multi-purpose vehicles)



22.5"
26.5"
30.5"

Dia.	Rim Size	Fitted tyre	Stud Holes		PC Dia.	Center Hole Dia.	Offset/ET.	Thickness		Model No.
			No.	Dia.				Rim	Disc	
22.5"	22.5x24.00	750/45-22.5	8	Φ27	Φ275	Φ221	-50	7	15	803402167
	22.5x24.00	750/45-22.5	10	Φ27	Φ335	Φ281	-50	7	15	803402168
	22.5x24.00	750/45-22.5	10	Φ27	Φ335	Φ281	0	7	15	803402169
26.5"	26.5x16.00	500/60-26.5	8	20	275	221	0	7	12	803402170
	26.5x20.00	600/55-26.5	8	27	Φ275	Φ221	0	7	15	803402171
	26.5x20.00	600/55-26.5	8	27	Φ275	Φ221	-50	7	15	803402172
	26.5x20.00	600/55-26.5	10	27	Φ225	Φ176	-50	7	15	803402173
	26.5x20.00	600/55-26.5	10	27	Φ225	Φ176	0	7	15	803402174
	26.5x24.00	700/50-26.5	8	27	Φ275	Φ221	0	7	15	803402175
30.5"	26.5x24.00	750/45-26.5	8	27	Φ275	Φ221	-50	7	15	803402176
	26.5x24.00	700/50-26.5	10	27	Φ335	Φ281	-82	7	15	803402177
	26.5x24.00	750/45-26.5	10	27	Φ335	Φ281	0	7	15	803402178
	26.5x28.00	800/45-26.5	8	20	275	221	0	7	12	803402179
	26.5x28.00	800/45-26.5	10	32	335	281	0	7	12	803402180
	30.5x20.00	600/60-30.5	8		Φ275	Φ221	0	7	12	803402181
	30.5x20.00	650/60-30.5	10		Φ335	Φ281	0	7	12	803402182
	30.5x24.00	700/50-30.5	8		Φ275	Φ221	0	7	12	803402183
	30.5x24.00	750/60-30.5	10		Φ335	Φ281	0	7	12	803402184
	30.5x28.00	800/45-30.5	10		Φ335	Φ281	0	7	12	803402185
30.5x28.00	850/50-30.5	10		Φ335	Φ281	-50	7	12	803402186	



20"
25"
32"

Wheel rims in 3 or 5 PC for Terra Flotation Tires/Forestry tires

Dia.	Rim Size	Fitted tyre	Stud Holes		PC Dia.	Center Hole Dia.	Offset/ET	Stud Holes		Model No.
			No.	Dia.				Rim	Disc	
20"	20-20.5/1.7	48x25.00-20	10	126	285.75	220	36.6			20230701
	20-20.5/1.7	48x25.00-20	10	30	285.75	220	36.6			20230702
	20-20.5/1.7	48x25.00-20	10	26	335	281	0			20230703
	20-20.5/1.7	48x25.00-20	10	26	335	281	48			20230704
	20-20.5/1.7 rim base	48x25.00-20								20230705
	20-26.00/1.7	48x31.00-20	10	26	285.75	220	106.3			20230706
	20-26.00/1.7	48x31.00-20	10	30	285.75	220	106.3			20230707
	20-26.00/1.7	48x31.00-20	10	26	335	281	0			20230708
	20-26.00/1.7	48x31.00-20	10	26	335	281	100			20230709
	20-26.00/1.7 rim base	48x31.00-20								20230710
25"	25-36.00/1.5	66x43.00-25	10	27	425	371	85			20230711
	25-36.00/1.5	66x43.00-25	19	24	500	448	70	22		20230712
	25-36.00/1.5	66x43.00-25	16	24	510	446	30	22		20230713
	25-36.00/1.5	66x43.00-25	8	24	250	199	203	20		20230714
	25-36.00/1.5 rim base	66x43.00-25								20230715
32"	32-36.00/1.1	73x44.00-32	10	23	335	281	0			20230716
	32-36.00/1.7	73x44.00-32	10	27	335	281	0			20230717
	32-41.00/1.1	78x45.00-32	10	22	335	281	0			20230718
	32-44.00/1.1	73x50.00-32	10	24	335	281	0			20230719
	32-49.00/1.1	68x60.00-32	10	24	335	281	0			20230720
	32-59.00/1.1	68x70.00-32	10	24	335	281	0			20230721
		32-36.00/1.7 rim base	73x44.00-32							
	32-44.00/1.1 rim base	73x50.00-32								20230723
	32-49.00/1.1 rim base	68x60.00-32								20230724
	32-59.00/1.1 rim base	68x70.00-32								20230725

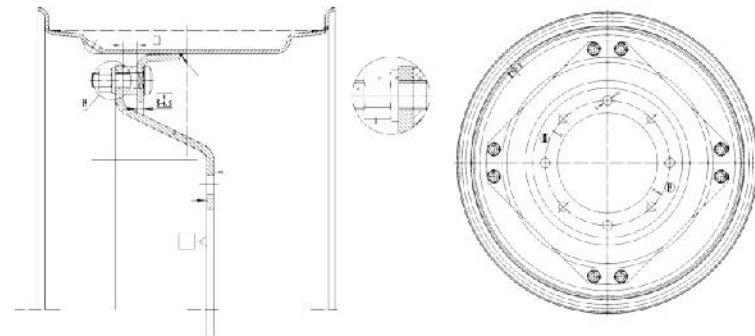
■ With one-piece 5° WDC/DW Series Wheels (for tractors, combines, construction machines and telehandlers)



- ▶▶ 12"
- ▶▶ 13"
- ▶▶ 14"
- ▶▶ 15"
- ▶▶ 16"
- ▶▶ 16.1"
- ▶▶ 17"
- ▶▶ 18"

Dia.	Rim Size	Fitted tyre	Stud Holes		PC Dia.	Center Hole Dia.	Offset/ET	Thickness		Model No.
			No.	Dia.				Rim	Disc	
12"	4.00B X 12	5.70-12	4	15	100	56	45			803402187
	4.00B X 12	5.70-12	4	15	114.3	73.6	35			803402188
	12X4J		5	14	114.3	75	0	2.5	4	803402189
13"	13X4 1/2J	5.50-13	4	15	114.3	66.6	34	3	4	803402190
	13X4 1/2J	5.50-13	4	14	101.8	71.63	0	3	4	803402191
	13X4 1/2J	5.50-13	4	15.5	100	57	30	3	4	803402192
	13X4J	5.50-13	5	15	139.7	110	34	3.5	4	803402193
14"	13X4J	5.50-13	5	15	139.7	110	34	3	4	803402194
	14X4 1/2J	6.50-14	5	15	139.7	110	32	4	5	803402195
	14X4 1/2J	6.50-14	5	15	139.7	110	23	4	5	803402196
	14X4 1/2J	6.50-14	5	15	139.7	110	26	4	5	803402197
	14X4 1/2J	6.50-14	5	15	139.7	110	92	4	6	803402198
	14X4 1/2J	6.50-14	6	15	160	110	99	4	6	803402199
	14X4 1/2J	6.50-14	5	15	139.7	110	92	4	6	803402200
	14X4 1/2J	6.50-14	5	15	139.7	110	98	4	6	803402201
	14X4 1/2J	6.50-14	5	15	139.7	110	0	4	4	803402202
	14X4 1/2J	6.50-14	5	15	139.7	110	93	4	6	803402203
15"	15X6J	7.5L-15	6	15	114.3	67.3	10			803402204
	15X5 1/2J	6.5-15	5	15.5	112	67	30	4	7	803402205
	15X5 1/2K	6.5-15	6	14	170	130	118	4	7	803402206
	15X8J	7.5L-15	4	15	100	55.2	39			803402207
	15X6J	7.5L-15	6	14	139.7	108.2	10			803402208
	15X8J	11L-15	5	15.5	120.65	80.5		3.5		803402209
16"	15X8J	11L-15						3.5		803402210
	16 X 6 1/2J		5	15.5	139.7	110	39.5	3	5	803402211
	16 X 7J		5	15	139.7	110	24.5	4	6	803402212
	16 X 7J		5	15	139.7	110	0	4		803402213
	16 X 7J		6	14	170	130	0	3.5		803402214
	16 X W8	9.00-16	6	21.5	205	161	0	4		803402215
	16XW10	11.00-16	6	21.5	205	161	0	4		803490022
16.1"	16.1xW11	14L-16.1	8	16.7	203.2	152.4	38	3.5	10	803490023
	16.1xW14	16.5L-16.1	8	16.7	203.2	152.4	38	3.5	10	803490024
	16.1xW16	19L-16.1	8	16.7	203.2	152.4	38	3.5	10	803490025
	16.1xW18	21.5L-16.1	8	16.7	203.2	152.4	38	3.5	10	803490026
17"	17 X 7J		5	15	139.7	110	0	4		803402216
	17 X 8J		6	14	170	130	0	3.5		803402217
	18 X 8J		5	15	139.7	110	0	4		803402218
18"	18 X W9	12.5/80-18	6	21.5	205	161	0	5	10	803402219

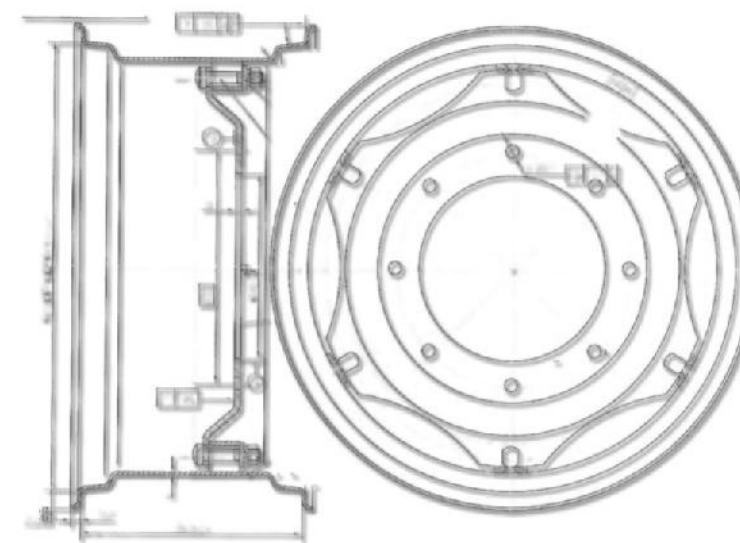
With one-piece 5° WDC/DW Series Wheels (for tractors, combines, construction machines and telehandles)



Dia.	Rim Size	Fitted tyre	Stud Holes		PC Dia.	Center Hole Dia.	Offset/ET	Thickness		Model No.
			No.	Dia.				Rim	Disc	
20"	20 X W7	8.3-20	8	17	152	108.5	9	4	6	803402220
	20 X W7	8.3-20	8	17	152	110	80	4	6	803402221
	20 X W7	8.3-20	6	20	190	146	46.5	4	6	803402222
	20 X W7	8.3-20	6	17	180	141	48	4	6	803402223
	20 X W7	8.3-20	6	15	160	130	45	4	6	803402224
	20 X W8	9.50-24	6	17	180	141	28	4	6	803402225
	20 X 6J									803402226
	20 X W9	11.2-20	6	16.5	286	250.5	104	4	7	803402227
	20 X W9	11.2-20	8	17	152	108	15	4	6	803402228
	22 X 8J									803402229
22"	24 X W7	8.3-24	6	15	165	130	0	4	8	803402230
	24 X W7	8.3-24	6	19	285	250	54.5	4	8	803402231
	24 X W7	8.3-24	6	16	165	130	29	4	8	803402232
	24 X W7	8.3-24	6	17	180	141	36	4	8	803402233
	24 X W7	8.3-24	6	17	180	141	25	4	8	803402234
	24 X W7	8.3-24	6	17	180	141	26	4	8	803402235
	24 X W8	9.50-24	6	20	165	120	120	4	6	803402236
	24 X W8	9.50-24	6	20	165	120	0	4	8	803402237
	24 X W8	9.50-24	6	15	165	130	42	4	8	803402238
	24 X W8	9.50-24	6	16	165	130	0	4	8	803402239
24"	24 X W8	9.50-24	8	17	200	150	30	4	8	803402240
	24XW9	11.2-24	8	17	203.2	152.6	18.5	4	8	803402241
	24 X W10	11.2-24	8	19	203.2	153	26	4	8	803402242
	24 X W10	11.2-24	8	19	203.2	152.4	8	4	8	803402243
	24 X W10	11.2-24	6	17	205	161	8	4	8	803402244
	24 X W10	11.2-24	6	17	180	141	26	4	8	803402245
	24 X W10	11.2-24	8	16.5	330	290.5	82	4	9	803402246
	24 X W10	11.2-24	6	20	165	120	50	4	8	803402247
	24 X W10	11.2-24	8	16.5	275	221	30	4	8	803402248
	24 X W10	11.2-24	12	17	525	486	6	4	12	803402249
26"	24 X W10	11.2-24	8	16.5	330	290.5	61	4	9	803402250
	24 X W10	11.2-24	6	20	165	120	75	4	8	803402251
	24 X W12	13.6-24	8	16.5	330	290.6	6	4	9	803402252
	24 X W12	13.6-24	8	19	203.2	152.6	0	4	10	803402253
	24 X W12	13.6-24	8	19	203.2	152.6	30.5	4	10	803402254
	24 X W12	13.6-24	8	20	205	161	6	4	6	803402255
	24 X W12	13.6-24	8	21	275	221	22	4	8	803402256
	24XW13	14.9-24	8	17	330	290	6	4	10	803402257
	24 X W14L	16.9-24	10	32	210	145	60	5	14	803402258
	24 X W14L	16.9-24	8	32	335	281	80	5	12	803402259
28"	24XW15	16.9-24	8	24	275	221	76.5	5	10	803402260
	24 X W16L	19.5L-24	12	21	203.2	153	55	5	6	803402261
	24XW17	18.4-24	10	17.5	534	501.5	0	5	12	803402262

20"
22"
24"

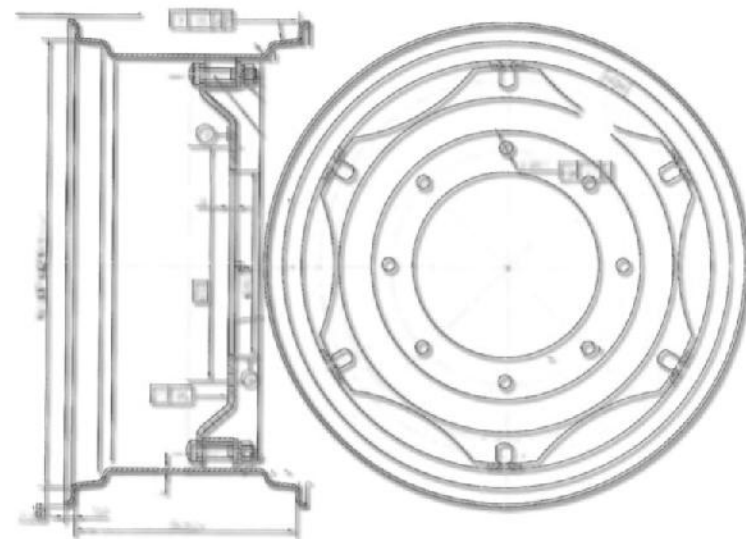
With one-piece 5° WDC/DW Series Wheels (for tractors, combines, construction machines and telehandles)



Dia.	Rim Size	Fitted tyre	Stud Holes		PC Dia.	Center Hole Dia.	Offset/ET	Thickness		Model No.
			No.	Dia.				Rim	Disc	
26"	26 X W12	13.6-26	8	23	335	281.2	44.5	4	10	803402263
	26 X W13	14.9-26	8	17	330	290.5	6	4.5	9	803402264
28"	28 X W10	12.4-28	8	16.5	330	290.5	59.5	4	9	803402265
	28 X W10	12.4-28	8	20	152	110	84.5	4	10	803402266
	28 X W10	12.4-28	8	20	152	110	105.5	4	10	803402267
	28 X W10	12.4-28	8	19	203.2	152.6	102.8	4	10	803402268
	28 X W10	12.4-28	8	18.8	203.2	152.6	26	4	9	803402269
	28 X W10	12.4-28	8	19.8	275	220.5	84	4	8	803402270
	28 X W11	12.4-28					2	4	6	803402271
	28 X W11	12.4-28	8	18.8	203.2	152.6	50	4	9	803402272
	28 X W12	13.6-28	10	24	335	281	10.5	4	6	803402273
	28 X W12	13.6-28	8		250	199	95	4	9	803402274
30"	28 X W12	13.6-28	8	27	275	221	50	4	10	803402275
	28 X W12	13.6-28	8	16.5	405	362.6	174.7	4	9	803402276
	28 X W12	13.5-28	8	20	203.2	152.6	40	4	9	803402277
	28 X W13	14.9-28	8	19	203.2	150.1	172.7	4	9	803402278
	28 X W13	14.9-28	8	20	200	150	46	4	8	803402279
	28 X W13	14.9-28	8	19	203.2	152.6	87.2	4	10	803402280
	28 X W13	14.9-28	8	19	203.2	150.1	70	4	8	803402281
	28 X W14L	440/65R28	8	19	203.2	152.6	26.5	4	8	803402282
	28XW15	16.9-28	10	23	335	281	6	4	10	803402283
	28XW15	16.9-28	10	23	335	281	55	4	10	803402284
32"	30 X W12	13.6-30	8	19	203.2	150.1	120	4	10	803402285
	30 X W12	13.6-30	8	19	203.2	152.6	12.8	4	10	803402286
	30 X W12	13.6-30	8	19	203.2	152.6	30.5	4	10	803402287
	30 X W12	13.6-30	8	20	200	150.1	46	4	10	803402288
	30 X W12	13.6-30	8	19	203.2	152.6	55	4	10	803402289
	30 X W14L	16.9-30	8	19	203.2	150.1	26	5	10	803402290
	30 X W14L	16.9-30	8	19	203.2	150.1	172.7	5	10	803402291
	30 X W14L	16.9-30	8	19	203.2	150.1	30	5	10	803402292
	30 X W15L	16.9-30	8	21	203.2	152.4	31	5	10	803402293
	30 X W16L	18.4-30	8	20	200	150	12.5	5	25	803402294
34"	30 X W16L	18.4-30	8	19	203.2	152.6	110.3	5	10	803402295
	30 X W16L	18.4-30	8	19	203.2	150.1	20	5	10	803402296
	32 X W10	12.4-32	8	20	200	150	96	4	8	803402297
	32 X W10	12.4-32	8	20	203.2	152.6	36.5	4	8	803402298
	32 X W10	12.4-32	8	20	203.2	152.6	71	4	10	803402299
	32 X W10	12.4-32	8	20	203.2	152.6	30.5	4	8	803403000
	32 X W10	12.4-32	8	20	203.2	152.6	50	4	8	803403001
	32 X W12	13.6-32	8	20	200	150	30.5	4	8	803403002
	34 X W14L	16.9-34	8	19	203.2	152.6	30	5	12	803403003
	34 X W15L	420/85R34	8	17	250	199	76.5	5	6	803403004
36"	34 X W15L	480/70R34	8	21	203.2	152.4	31	5	6	803403005
	34 X W15L	480/70R34	8	21	203.2	152.4	12	5	6	803403006
	34XW16	18.4-34	8	19	203.2	152.6	14	4	9	803403007
	34XW16	18.4-34	8	19	203.2	152.6	60	4	9	803403008

26"
28"
30"
32"
34"

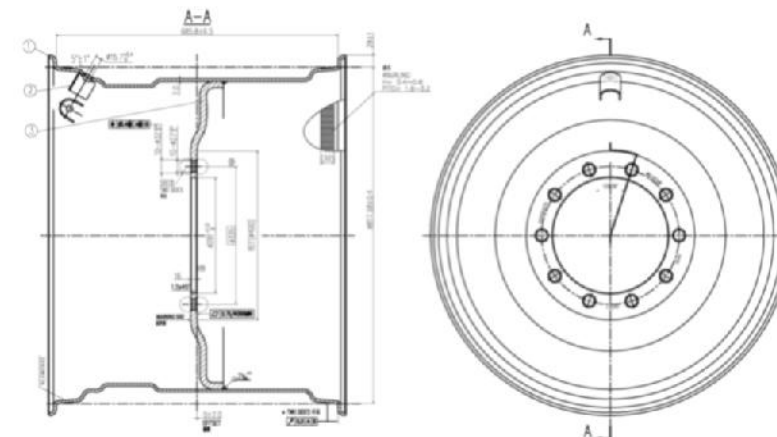
With one-piece 5° WDC/DW Series Wheels (for tractors, combines, construction machines and telehandlers)



38"
42"
44"

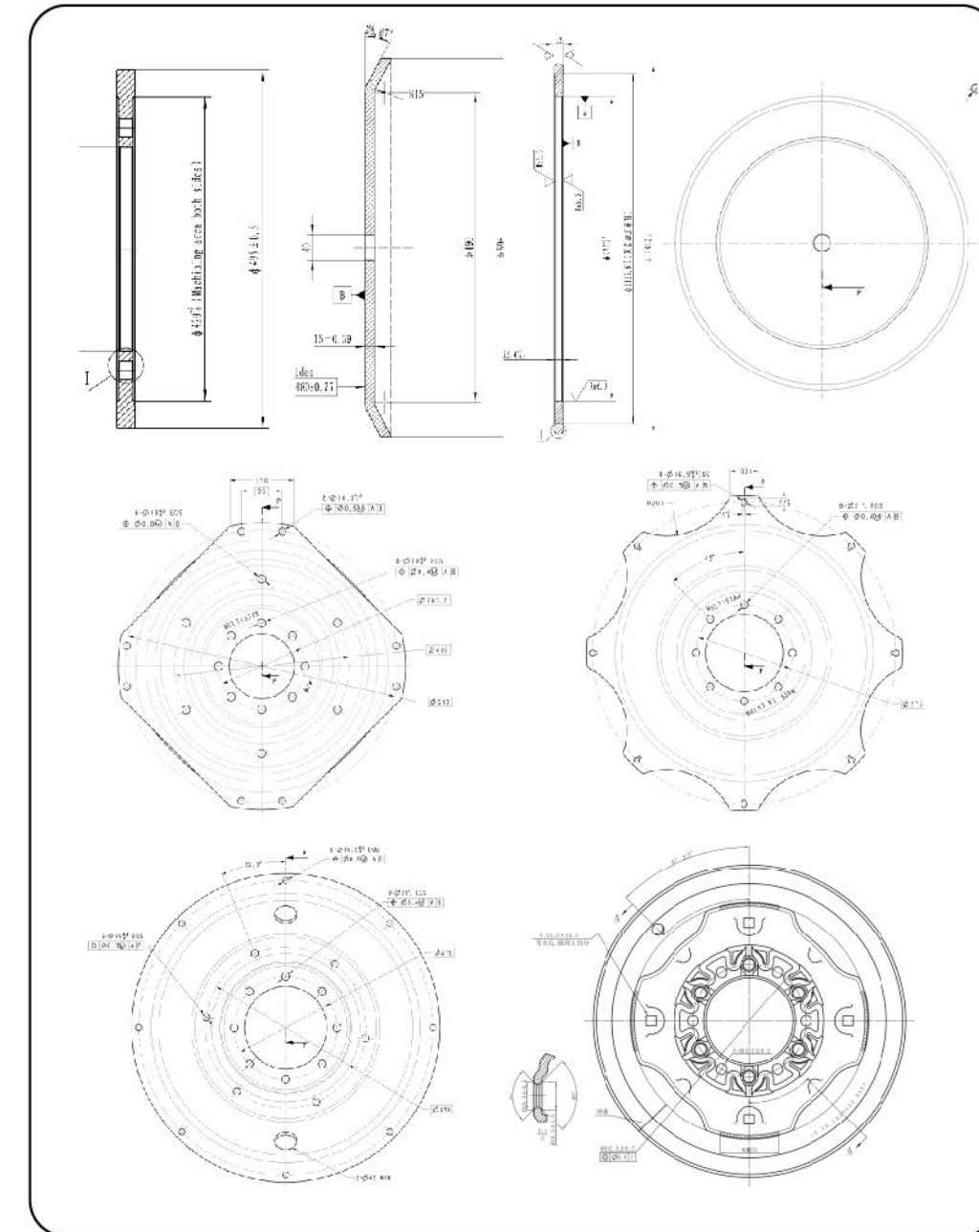
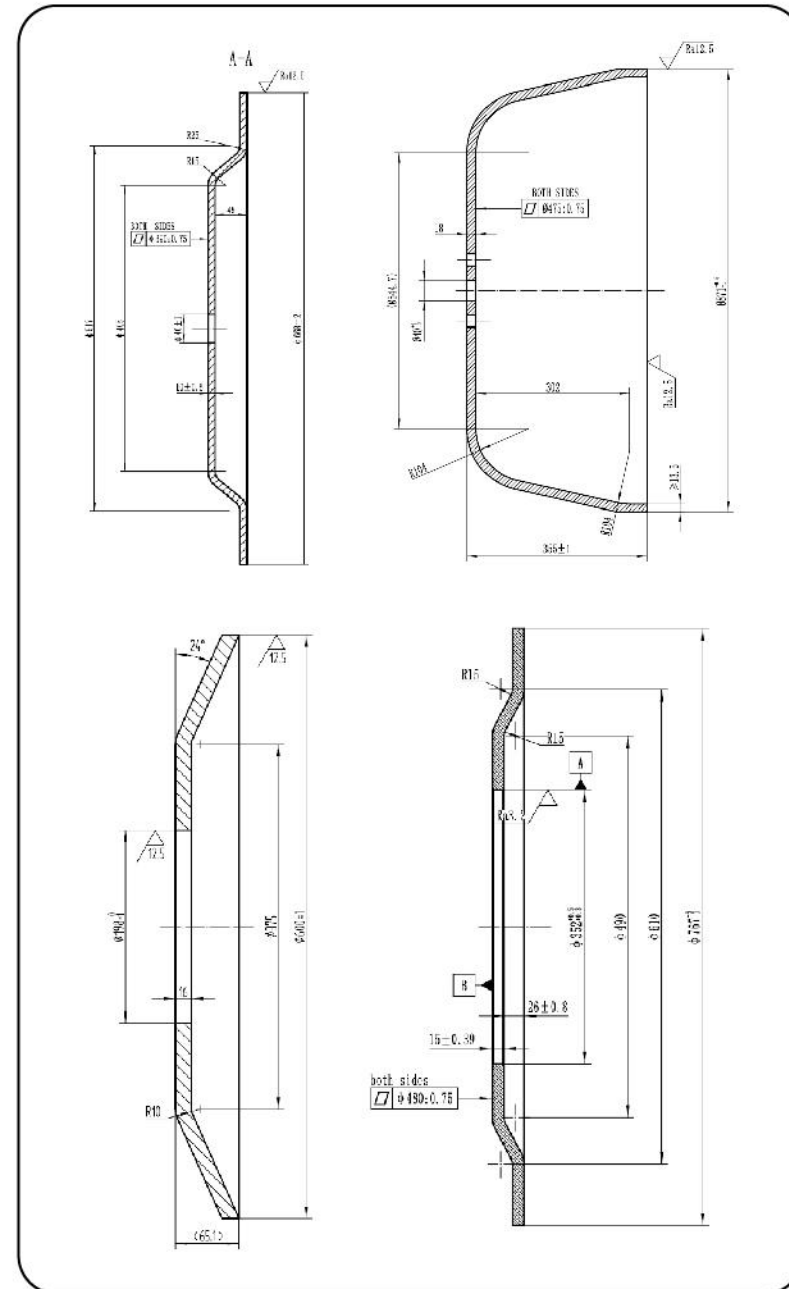
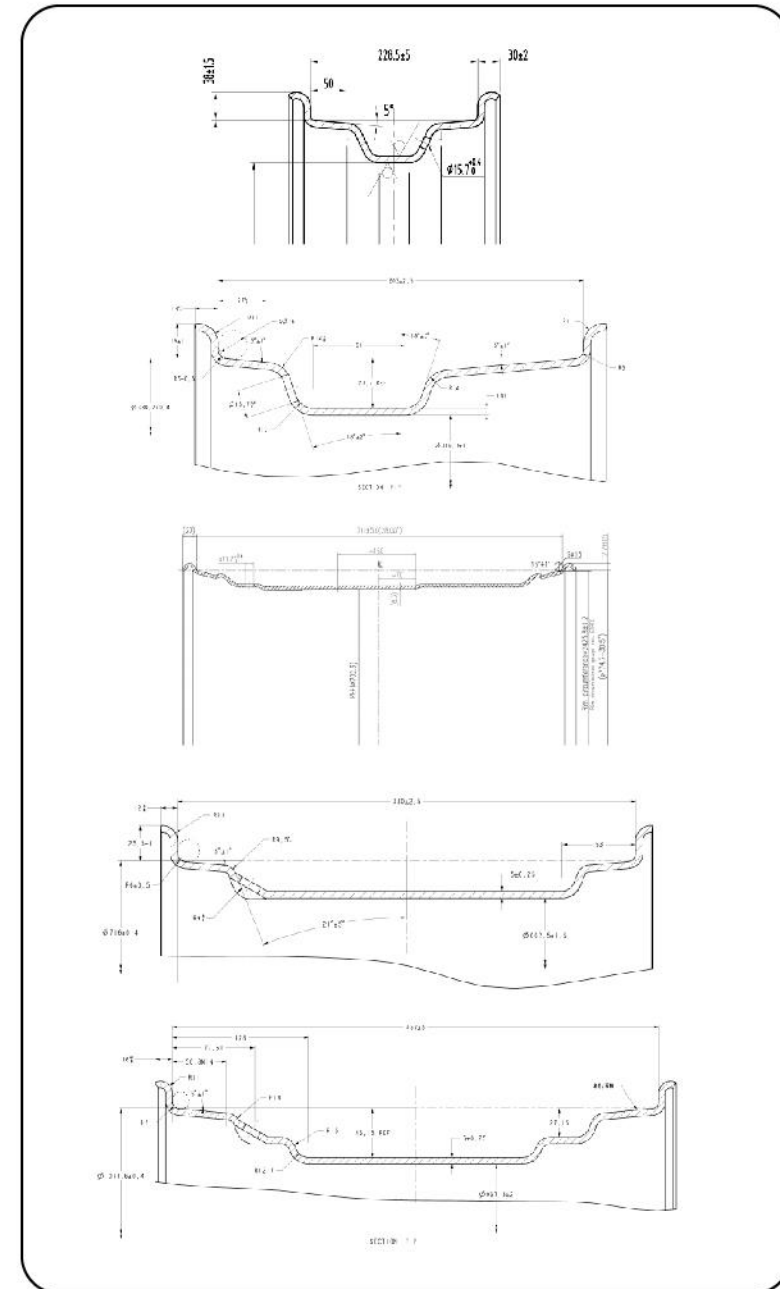
Dia.	Rim Size	Fitted tyre	Stud Holes		PC Dia.	Center Hole Dia.	Offset/ET	Thickness		Model No.	
			No.	Dia.				Rim	Disc		
38"	38xW10	11.2-38	8	16.7	203.2	152.3	180	4	6	803402309	
	38 X W11	12.4R38	8	24	250	199	76.5	4	6	803402310	
	38 X W12	13.6-38	8	19	203.2	150.1	22.1	5	10	803402311	
	38 X W12	13.6-38	8	19	203.2	150.1	70	5	10	803402312	
	38 X W12	13.6-38	8	19	203.2	150.1	120	5	10	803402313	
	38 X W15L	16.9-38	8	19	203.2	150.1	170	5	10	803402314	
	38 X W15L	16.9-38	8	19	203.2	150.1	180	5	10	803402315	
	38 X W16L	18.4-38	8	19	275	221	-80	5	10	803402316	
	38xW18	20.8-38	8	21	295	240	70	5	10	803402317	
	38xW18	20.8-38	10	22	480	421	150	5	12	803402318	
	38xW18	20.8-38	12	26	335	281	26	5	10	803402319	
	38xW18	20.8-38	12	26	335	281	178	5	12	803402320	
42	38xW18	20.8-38	12	26	504	446	148	5	12	803402321	
	42xW8	9.5R42	8	24	250	199.5	135			803402322	
	42xW8	9.5R42	8		250	199.5	135			803402323	
	42xW8	9.5R42	6		205	161	95			803402324	
	42xW8	9.5R42	6		205	161	2			803402325	
	42xW8	9.5R42	6		205	161	-2			803402326	
	42xW8	9.5R42	8		275	221	95			803402327	
	42xW8	9.5R42	8		275	221	2			803402328	
	42xW8	9.5R42	8		275	221	-2			803402329	
	44	44xW8	9.5R44	8		203.2	152.4	111.4			803402330
		44xW8	9.5R44	8	19	203.2	150.1	111.4			803402331
		44xW8	9.5R44	8	24	250	199	105			803402332

With one-piece 5° WDC/DW Series Wheels (for tractors, combines, construction machines and telehandlers)



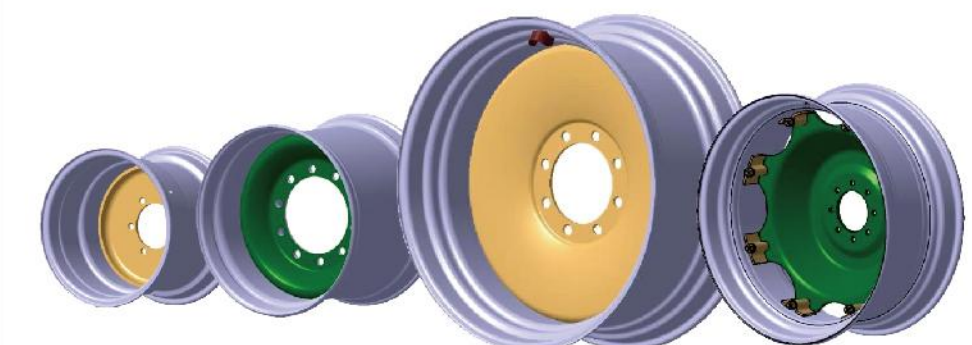
24"
26"
30"
32"
34"
38"
42"

Dia.	Rim Size	Fitted tyre	Stud Holes		PC Dia.	Center Hole Dia.	Offset/ET	Thickness		Model No.	
			No.	Dia.				Rim	Disc		
24"	DW24x16	19.5L-24	10	24	335	281	-77.5	6	12	803402344	
	DW24x16	19.5L-24	8	21.5	275	221	0	6	12	803402345	
26"	DW26x16	18.4-26	10	26	335	281	0	6	12	803402346	
	DW26x16	18.4-26	10	23	285.75	224	0	6	12	803402347	
	DW20Bx26	23.1-26	10	23	285.75	221	0	6	12	803402348	
	DW20Bx26	23.1-26	10	26	335	281	-50	7	14	803402349	
	DW20Bx26	23.1-26	8	21.5	275	221	-81	6	12	803402350	
	DW20Ax26	23.1-26	10	27	335	281	0	6	12	803402351	
	DW20Ax26	23.1-26	12	27	425	371	91.8	6	12	803402352	
	DW20Ax26	23.1-26	18	23	400	360.75	-98.3	7	14	803402353	
	DW25Ax26	28L-26	10	23	285.75	221	0	6	12	803402354	
	DW25Ax26	28L-26	20	26	400	350	-8	7	14	803402355	
	DW25Ax26	28L-26	24	26	455	410	-8	7	14	803402356	
	DW25Bx26	28L-26	10	23	285.75	221	0	7	14	803402357	
30"	DW25Bx26	28L-26	10	26	335	281	-50	6	14	803402358	
	DW25Bx26	28L-26	8	21.5	275	221	-80	6	14	803402359	
	DW12Lx30	420/70R30	6	32.2	166.1	101.7	31.5	7	14	803402360	
	DW13Lx30		8	16.7	152.4	203.2		6.3	12	803402361	
	DW14Lx30	16.9-30	8	20.5	275	221	75	7	14	803402362	
	DW15Lx30		8	16.7	162.4	203.2		6.3	12	803402363	
	32"	DW20Bx32	24.5-32	10	27	335	281	0	6.3	15	803402364
		DW21Bx32	24.5-32	10	27	335	281	0	6.3	15	803402365
		DW21Bx32	24.5-32	12		415	366	-24	6.3	15	803402366
		DW21Bx32	24.5-32	16	21.5	400	361	55	6.3	15	803402367
		DW27Ax32	30.5L-32	10	27	335	281	-74	7	18	803402368
		DW27Ax32	30.5L-32	10	22	285.75	221.3	0	7	18	803402369
DW27Bx32		30.5L-32	10	27	335	281	0	7	16	803402370	
DW27Bx32		30.5L-32	10	24	335	281	-74	7	16	803402371	
DW27Bx32		30.5L-32	12		415	366	-142.7	7	16	803402372	
DW27Bx32		30.5L-32	16		400	361	-75	7	16	803402373	
DW30Bx32		35.5L-32	10	27	335	281	0	7	18	803402374	
34"		DW15Bx34	16.9-34	8	16.7	162.4	203.2		6.3	15	803402375
	DW16Lx34	18.4-34	8	21.5	275	221	0	6.3	15	803402376	
	DW16Lx34	18.4-34	10	27	335	281	0	6.4	15	803402377	
	DW18Lx34	20.8-34	10	22	285.75	221.3	0	6.3	15	803402378	
	DW23Bx34		12	19	415	366	-19	6.3	15	803402379	
	DW23Bx34		18	21.5	400	361	-23	6.3	15	803402380	
38"	DW10x38	11.2-38	8	16.6	203.2	162.5	62	6.3	15	803402381	
	DW11x38	12.4-38	8	21	250	199	115	6.3	15	803402382	
	DW12x38	13.6-38	8		203.2	152.4	75	6.3	15	803402383	
	DW14x38	15.5-38	8	19	203.2	162.4	125	6.3	15	803402384	
	DW15Lx38	16.9-38	8	19	275	221	174	6.3	15	803402385	
	DW16Lx38	18.4-38	8	21.5	275	221	-30	6.3	15	803402386	
	DW18Lx38	20.8-38	10	24	335	281	-40	6.3	15	803402387	
	DW18Lx38	20.8-38	12		415	366	-120.5	6.3	15	803402388	
	DW23Bx38	710/70R38	10	23	335	281	-74	6.3	15	803402389	
	DW23Bx38	710/70R38	10	23	335	281	0	6.3	15	803402390	
	DW23Bx38	710/70R38	12	M20	400	351	-185	6.3	15	803402391	
	DW23Bx38	710/70R38	18	21.5	400	361	-60	6.3	15	803402392	
42"	DW25Bx38	800/70R38	10	23	335	281	-74	6.3	15	803402393	
	DW25Bx38	800/70R38	16	21.5	400	361	-60	6.3	15	803402394	
	DW27Bx38	800/70R38	10	23	335	281	-74	6.3	15	803402395	
	DW18Bx42	580/70R42	10	20.8	335	281	38	6.3	15	803402396	
	DW23Bx42	710/70R42	10	20.6	335	281	13.6	6.3	15	803402397	

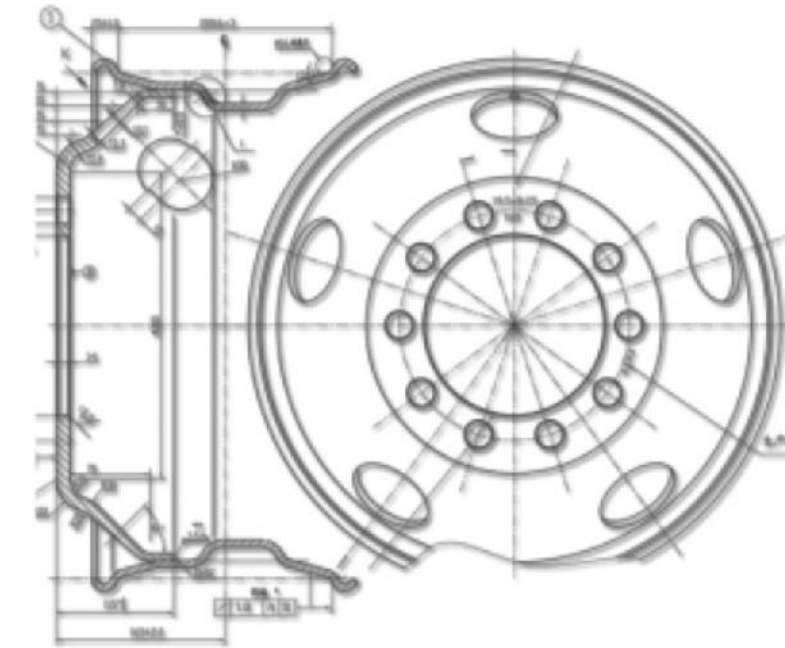


■ W rim profile
 ■ DW rim profile
 ■ H2 rim profile
■ We work with materials with thickness up t 60mm

Bare rim	Bare rim	Bare rim	Bare rim	Bare rim	Bare rim	Bare rim
15x6	24 X W10	28 X W16L	36 X W10	48xW8	32xDW20B	38xDW27B
15x8	24 X W12	28 X W18L	36 X W11	48xW10	32xDW21B	42xDW16L
15x10	24 X W13	30 X W12	36 X W12	48xW12	32xDW27A	42xDW18L
15x13	24 X W14L	30 X W13	38 X W7	50xW8	32xDW30B	42xDW20B
16 X W8	24 X W15L	30 X W14L	38 X W8	50xW10	34xDW14L	42xDW23B
16.1xW11	24 X W16L	30 X W15L	38 X W9	50xW12	34xDW15L	42xDW25B
16.1xW14	24 X W17L	30 X W16L	38 X W10	50xW13L	34xDW16L	42xDW30B
16.1xW16	25 X 12	32 X W7	38 X W11	52xW10	34xDW18L	46xDW13
16.1xW18	26 X W12	32 X W8	38 X W12	52xW12	34xDW20B	46xDW16L
18 X W8	26 X W13	32 X W10	38 X W15L	54xW8	34xDW23B	46xDW20B
18 X W9	26 X W15	32 X W12	38 X W16L	54xW10	38xDW10	46xDW25B
20 X W7	28 X W7	34 X W8	40xW7	54xW12	38xDW11	46xDW27B
20 X W8	28 X W8	34 X W10	40xW8	24xDW16	38xDW12	46xDW30B
20 X W9	28 X W9	34 X W12	42xW8	26xDW12	38xDW14L	50xDW16L
20 X W10	28 X W10	34 X W13	42xW10	26xDW16L	38xDW15L	
20 X W11	28 X W11	34 X W14L	44xW7	26xDW20B	38xDW16L	
24 X W7	28 X W12	34 X W15L	44xW8	26xDW25B	38xDW18L	
24 X W8	28 X W13	34 X W16L	44xW10	30xDW12	38xDW20B	
24 X W9	28 X W14L	36 X W7	46xW10	30xDW13	38xDW23B	
24x9	28 X W15L	36 X W8	46xW12	30xDW14L	38xDW25B	



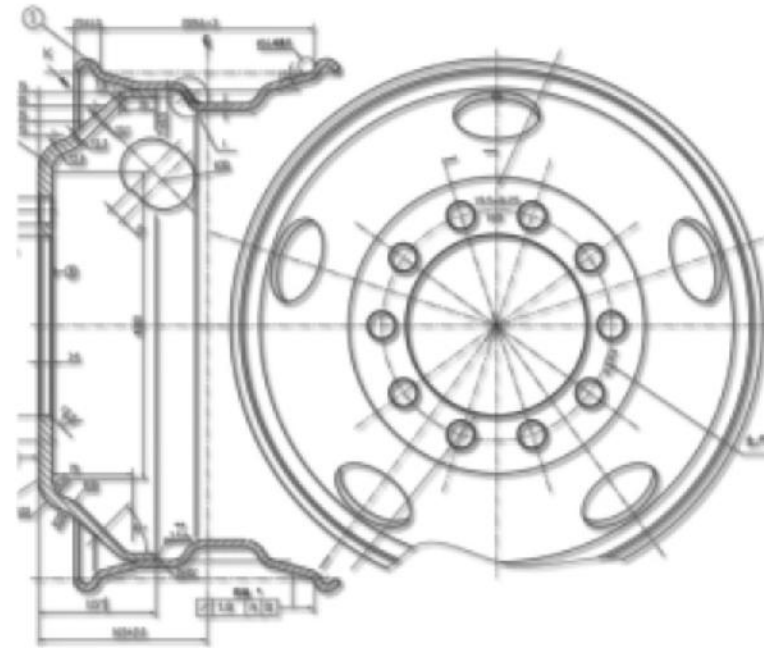
15° DC Series Wheels (for bus and heavy-duty truck)



▶▶ 13"
14.5"
17.5"

Dia.	Rim Size	Fitted tyre	Stud Holes		PC Dia.	Center Hole Dia.	Offset/ET.	Thickness		Model No.
			No.	Dia.				Rim	Disc	
13"	13x15LB		11	Φ 18.5	Φ 135	Φ 100	5	4	13	803403001
	13x15LB		11	Φ 18.5	Φ 135	Φ 100	36.5	4	13	803403002
	13x15LB		10	Φ 17.5	Φ 140	Φ 93	0	4	10	803403003
14.5"	14.5x6.00	215/75R14.5						5	10	803403004
	14.5x7.00	215/75R14.6	8	Φ 24	Φ 203.2	Φ 153	13.5	5	10	803403005
	14.5x7.00	215/75R14.7	9	Φ 17	Φ 241.3	Φ 202	13.5	5	10	803403006
17.5"	17.5x6.00	215/75R17.5	6	Φ 32	Φ 222.25	Φ 164	118	5	9	803403007
	17.5x6.00	215/75R17.5	5	Φ 29	Φ 203.2	Φ 146	118	5	9	803403008
	17.5x6.00	8R17.5	6	Φ 20.5	Φ 190	Φ 141	127	5	8	803403009
	17.5x6.00	8R17.5	10	Φ 32	Φ 224	Φ 171	113.5	6	14	803403010
	17.5x6.00	8R17.5	6	21	205	161	115	6	11	803403011
	17.5x6.00	8R17.5	5	32	208	150	115	6	10	803403012
	17.5x6.00	8R17.5	5	32	203.2	146	115	6	10	803403013
	17.5x6.00	8R17.5	6	Φ 20.5	Φ 205	Φ 146	115	6	11	803403014
	17.5x6.00	8R17.5	5	Φ 32.5	Φ 203.2	Φ 146	115	6	11	803403015
	17.5x6.00	8R17.5	5	Φ 32.5	Φ 203.2	Φ 134	115	6	11	803403016
	17.5x6.00	8R17.5	5	Φ 32.5	Φ 203.2	Φ 133	115	6	10	803403017
	17.5x6.00	8R17.5	5	Φ 32.5	Φ 208	Φ 150	115	6	10	803403018
	17.5x6.00	8R17.5	6	Φ 32	Φ 222.25	Φ 164	135	6	9	803403019
	17.5x6.00	8R17.5	10	Φ 32	Φ 224	Φ 171	135	6	12	803403020
	17.5x6.00	8R17.5	6	Φ 21	Φ 205	Φ 161	115	6	12	803403021
17.5x6.00	8R17.5	5	Φ 20	Φ 203.2	Φ 146	127	6	10	803403022	
17.5x6.00	215/75R17.5	6	Φ 32.5	Φ 222.25	Φ 164	135	6	12	803403023	
17.5x6.00	8R17.5	8	Φ 26	Φ 275	Φ 214	113.5	6	12	803403024	
17.5x6.00	8R17.5	5	Φ 32.5	Φ 198	Φ 150	120	6	10	803403025	
17.5x6.75	9R17.5	6	Φ 32	Φ 222.25	Φ 164	121	6	12	803403026	
17.5x6.75	9.5R17.5	10	Φ 26	Φ 225	Φ 176	140	6	12	803403027	
17.5x6.75	9R17.5	6	Φ 32	Φ 222.25	Φ 163	140	6	12	803403028	
17.5x6.75	9R17.5	10	26	225	176	153	6	12	803403029	
17.5x6.75	9R17.5	8	17	165	121	-12	6	10	803403030	
17.5x6.75	9R17.5	10	26	225	176	135	6	10	803403031	
17.5x6.75	9R17.5	8	Φ 26	Φ 275	Φ 214	153	6	12	803403032	
17.5x6.75	9R17.5	6	Φ 32.5	Φ 222.25	Φ 163	*140	6	11	803403033	

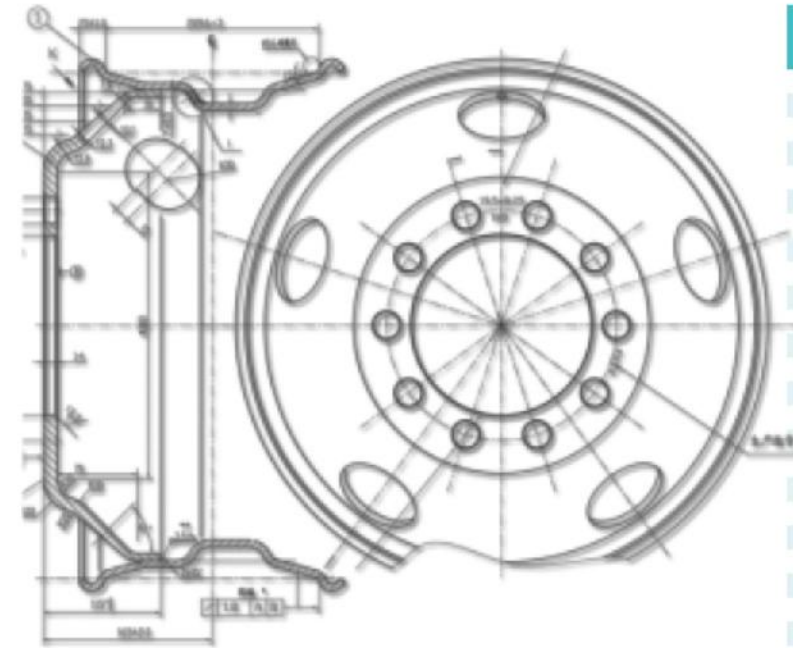
15° DC Series Wheels (for bus and heavy-duty truck)



Dia.	Rim Size	Fitted tyre	Stud Holes		PC Dia.	Center Hole Dia.	Offset/ET.	Thickness		Model No.
			No.	Dia.				Rim	Disc	
19.5"	19.5x12.25	9R17.5	10	Φ30	Φ335	Φ283.4	*6.5	7	13	803403034
	19.5x6.00	8R19.5	6	Φ32	Φ222.25	Φ164	123	6	12	803403035
	19.5x6.00	8R19.5	6	Φ32	Φ222.25	Φ163	115	6	12	803403036
	19.5x6.00	8R19.5	6	Φ32	Φ222.25	Φ168	115	6	12	803403037
	19.5x6.00	8R19.5	6	Φ32	Φ222.25	Φ164	135	6	11	803403038
	19.5x6.75	245/70R19.5	6	Φ32.5	Φ222.25	Φ164	140	6	11	803403039
	19.5x6.75	245/70R19.5	8	Φ32.5	Φ275	Φ221	140	6	12	803403040
	19.5x6.75	245/70R19.5	8	Φ27	Φ275	Φ221	139	6	10	803403041
	19.5x6.75	245/70R19.5	6	Φ32.5	Φ222.25	Φ164	123	6	11	803403042
	19.5x6.75	245/70R19.5	6	Φ32.5	Φ222.25	Φ164	*142	6	12	803403043
	19.5x6.75	8R19.5	10	Φ26	Φ225	Φ176	135	6	12	803403044
	19.5x6.75	8R19.5	8	Φ24	Φ275	Φ221	131	6	12	803403045
	19.5x6.75	8R19.5	8	Φ32	Φ275	Φ214	*140	6	12	803403046
	19.5x6.75	235/75R19.5	6	32	22.25	164	125	6	12	803403047
	19.5x6.75	235/75R19.5	8	32	275	214	130	6	12	803403048
	19.5x7.50	265/70R19.5	8	Φ32	Φ275	Φ214	139	6	12	803403049
	19.5x7.50	265/70R19.5	8	Φ27	Φ275	Φ221	139	6	12	803403050
	19.5x7.50	265/70R19.5	8	Φ32	Φ275	Φ214	139	6	12	803403051
	19.5x7.50	265/70R19.5	8	Φ32	Φ275	Φ221	139	6	12	803403052
	19.5x7.50	265/70R19.5	8	Φ26	Φ275	Φ221	140	6	12	803403053
19.5x7.50	265/70R19.5	8	Φ24	Φ275	Φ221	139	6	12	803403054	
19.5x8.25	285/70R19.5	10	Φ26	Φ225	Φ176	148	7	14	803403055	
20.5"	20.5x14.00		10	Φ27	Φ335	Φ281	50	7	14	803403056
	20.5x14.00		10	Φ27	Φ335	Φ281	0	7	14	803403057
	20.5x16.00		10	Φ27	Φ335	Φ281	60	7	14	803403058
	20.5x16.00		10	Φ27	Φ335	Φ281	78	7	14	803403059
22.5"	22.5x6.00	8.5R22.5	6	Φ32	Φ222.25	Φ163	135	6	12	803403060
	22.5x6.00	8.5R22.5	6	Φ32	Φ222.25	Φ163	*135	6	12	803403061
	22.5x6.00	8.5R22.5	8	Φ32	Φ275	Φ214	123	6	11	803403062
	22.5x6.00	8.5R22.5	8	Φ32.5	Φ275	Φ214	133	6	12	803403063
	22.5x6.00	8.5R22.5	6	Φ32.5	Φ222.25	Φ164	135	6	11	803403064
	22.5x6.00	8.5R22.5	6	Φ32.5	Φ275	Φ164	135	6	14	803403065
	22.5x6.75	9R22.5	8	Φ32	Φ275	Φ214	142	6	12	803403066
	22.5x6.75	9R22.5	8	Φ24	Φ275	Φ221	140	6	12	803403067
	22.5x6.75	9R22.5	8	Φ32	Φ275	Φ214	152	6	12	803403068
	22.5x6.75	9R22.5	10	Φ32	Φ285.75	Φ221	169	6	14	803403069
	22.5x6.75	9R22.5	10	Φ26	Φ335	Φ281	169	6	14	803403070
	22.5x6.75	9R22.5	10	Φ26	Φ225	Φ176	169	6	11	803403071
	22.5x6.75	9R22.5	8	Φ32	Φ275	Φ214	145	6	12	803403072
	22.5x6.75	9R22.5	8	Φ32	Φ285	Φ221	142	6	12	803403073
	22.5x6.75	9R22.5	8	Φ32	Φ275	Φ214	133	6	12	803403074
	22.5x6.75	9R22.5	8	32	285	221	140	6	14	803403075
	22.5x7.50	10R22.5	8	Φ32	Φ275	Φ214	138	7	14	803403076
	22.5x7.50	10R22.5	8	Φ32.5	Φ285	Φ221	148	7	14	803403077
	22.5x7.50	10R22.5	10	Φ26	Φ335	Φ281	151	7	14	803403078
	22.5x7.50	10R22.5	8	Φ24	Φ275	Φ221	138.5	7	14	803403079

19.5"
20.5"
22.5"

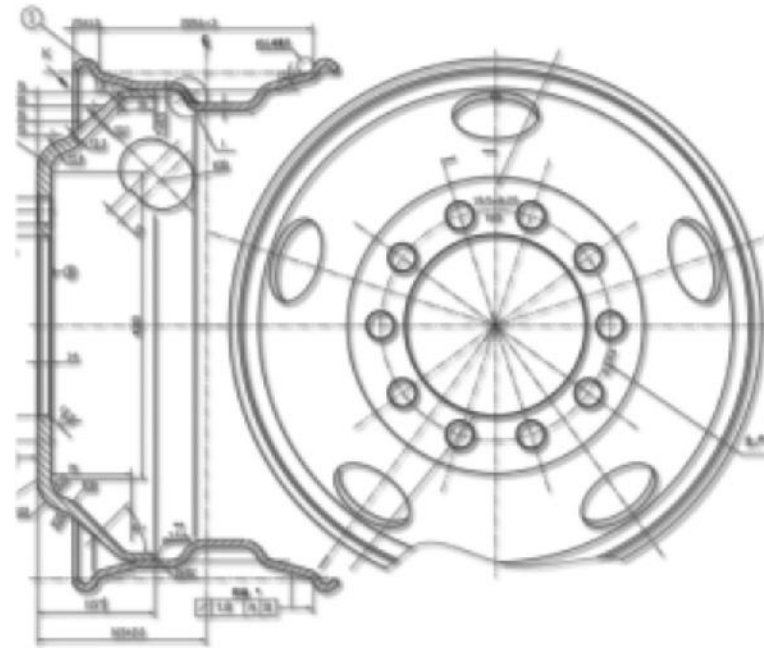
15° DC Series Wheels (for bus and heavy-duty truck)



Dia.	Rim Size	Fitted tyre	Stud Holes		PC Dia.	Center Hole Dia.	Offset/ET.	Thickness		Model No.	
			No.	Dia.				Rim	Disc		
22.5"	22.5x7.50	10R22.5	8	Φ26	Φ275	Φ221	138.5	7	14	803403080	
	22.5x7.50	10R22.5	8	Φ32	Φ275	Φ214	138.5	7	14	803403081	
	22.5x7.50	10R22.5	10	Φ26	Φ285.75	Φ220	138	7	14	803403082	
	22.5x7.50	10R22.5	10	Φ26	Φ335	Φ272	138	7	14	803403083	
	22.5x7.50	10R22.5	8	Φ32	Φ275	Φ214	138.5	7	14	803403084	
	22.5x7.50	10R22.5	8	Φ26	Φ275	Φ221	138.5	7	14	803403085	
	22.5x7.50	10R22.5	10	Φ26	Φ285.75	Φ220	152	7	14	803403086	
	22.5x7.50	10R22.5	8	Φ32	Φ275	Φ214	152	7	14	803403087	
	22.5x7.50	10R22.5	10	Φ32	Φ285.75	Φ221	169	7	14	803403088	
	22.5x7.50	10R22.5	10	Φ32	Φ285.75	Φ281	169	7	14	803403089	
	22.5x7.50	10R22.5	8	Φ26	Φ335	Φ221	60	7	14	803403090	
	22.5x7.50	10R22.5	10	Φ32.5	Φ285	Φ222	152	7	14	803403091	
	22.5x7.50	10R22.5	10	Φ32	Φ285.75	Φ222	145	7	14	803403092	
	22.5x7.50	10R22.5	8	Φ32	Φ32	Φ285.75	Φ222	145	7	14	803403093
	22.5x7.50	10R22.5	8	Φ32	Φ275	Φ222	169	7	14	803403094	
	22.5x7.50	10R22.5	8	Φ32	Φ285	Φ221	150	7	14	803403095	
	22.5x7.50	10R22.5	8	Φ32	Φ285	Φ221	152	7	14	803403096	
	22.5x7.50	10R22.5	6	Φ32	Φ275	Φ222.25	Φ165	7	14	803403097	
	22.5x8.25	11R22.5	10	Φ26	Φ335	Φ281	151	7	14	803403098	
	22.5x8.25	11R22.5	10	Φ26	Φ335	Φ281	151	7	14	803403099	
	22.5x8.25	11R22.5	10	Φ32.5	Φ285.75	Φ221.5	154	7		803403100	
	22.5x8.25	11R22.5	10	Φ32.5	Φ285.75	Φ221.5	168	7	14	803403101	
	22.5x8.25	Demountable 11R22.5									803403102
	22.5x8.25	11R22.5	10	Φ26	Φ335	Φ272	151	7	14	803403103	
	22.5x8.25	11R22.5	8	Φ32.5	Φ285	Φ221	151	7	14	803403104	
	22.5x8.25	11R22.5	8	Φ32.5	Φ285	Φ221	151.5	7	14	803403105	
	22.5x8.25	11R22.5	10	Φ26	Φ285.75	Φ220	154	7	14	803403106	
	22.5x8.25	11R22.5	10	Φ32.5	Φ285.75	Φ221	154	7	14	803403107	
	22.5x8.25	11R22.5	8	Φ32	Φ275	Φ214	154	7	14	803403108	
	22.5x8.25	11R22.5	10	Φ26	Φ285.75	Φ220	154	7	14	803403109	
	22.5x8.25	11R22.5	10	Φ26	Φ285.75	Φ220	151	7	14	803403110	
	22.5x8.25	11R22.5	10	Φ24	Φ335	Φ281	151	7	14	803403111	
	22.5x8.25	11R22.5	8	Φ24	Φ275	Φ221	154	7	14	803403112	
	22.5x8.25	11R22.5	10	Φ26	Φ335	Φ275	154	7	14	803403113	
	22.5x8.25	11R22.5	8	Φ32.5	Φ285	Φ221	151	7	14	803403114	
	22.5x8.25	11R22.5	10	Φ26	Φ335	Φ281	*165	7	14	803403115	
	22.5x8.25	11R22.5	10	Φ26	Φ335	Φ281	158	7	14	803403116	
	22.5x8.25	11R22.5	8	Φ32.5	Φ285	Φ221	165	7	14	803403117	
	22.5x8.25	11R22.5	10	Φ26	Φ335	Φ281	156	7	14	803403118	
	22.5x8.25	11R22.5	8	Φ32	Φ285.75	Φ221	165	7	14	803403119	
22.5x8.25	11R22.5	10	Φ32	Φ285.75	Φ222	168	7	14	803403120		
22.5x8.25	11R22.5	10	Φ26	Φ335	Φ281	169	7	14	803403121		
22.5x8.25	11R22.5	10	Φ26	Φ285.75	Φ220	168	7	14	803403122		
22.5x8.25	11R22.5	10	Φ26	Φ335	Φ281	166	7	14	803403123		
22.5x8.25	11R22.5	8	Φ32	Φ285	Φ221	165	7	14	803403124		
22.5x8.25	11R22.5	10	Φ32	Φ285.75	Φ222	165	7	14	803403125		

22.5"

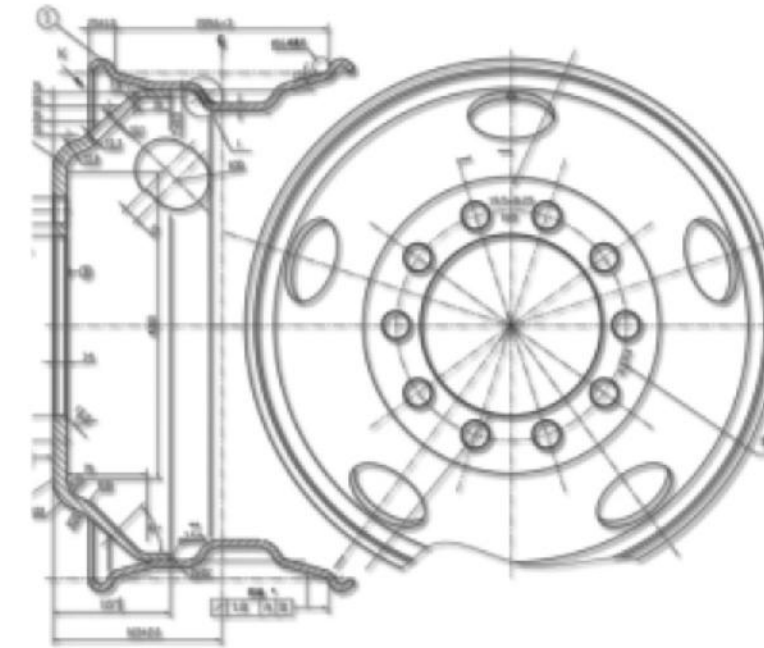
15° DC Series Wheels (for bus and heavy-duty truck)



Dia.	Rim Size	Fitted tyre	Stud Holes		PC Dia.	Center Hole Dia.	Offset/ET.	Thickness		Model No.	
			No.	Dia.				Rim	Disc		
22.5"	22.5x8.25	11R22.5	10	Φ26	Φ285.75	Φ220	168	7	14	803403126	
	22.5x9.00	12R22.5	10	Φ26	Φ335	Φ281	165	7	14	803403127	
	22.5x9.00	12R22.5	10	Φ26	Φ335	Φ281	175	7	14	803403128	
	22.5x9.00	12R22.5	10	Φ32	Φ285.75	Φ222	175	7	14	803403129	
	22.5x9.00	12R22.5	10	Φ26	Φ285.75	Φ281	175	7	14	803403130	
	22.5x9.00	12R22.5	10	Φ26	Φ335	Φ281	175	7	14	803403131	
	22.5x9.00	12R22.5	10	Φ26	Φ335	Φ281	161	7	14	803403132	
	22.5x9.00	12R22.5	10	Φ26	Φ335	Φ281	158	7	14	803403133	
	22.5x9.00	12R22.5	10	Φ26	Φ335	Φ281	161	7	14	803403134	
	22.5x9.00	12R22.5	10	Φ32.5	Φ285.75	Φ221.5	161	7	14	803403135	
	22.5x9.00	Demountable 2R22.5							7		803403136
	22.5x9.00	Demountable 2R22.5							7		803403137
	22.5x9.00	Demountable 2R22.5							7		803403138
	22.5x9.00	12R22.5	10	Φ26	Φ335	Φ281	114	7	14		803403139
	22.5x9.00	12R22.5	10	Φ26	Φ335	Φ281	114	7	14		803403140
	22.5x9.00	315/80R22.5	10	Φ26	Φ335	Φ281	170	7	16		803403141
	22.5x9.00	12R22.5	8	Φ32.5	Φ285	Φ221	161	7	14		803403142
	22.5x11.75	385/65R22.5	10	Φ27	Φ335	Φ281	0	7	12		803403143
	22.5x11.75	385/65R22.5	10	Φ27	Φ335	Φ281	201	7	14		803403144
	22.5x11.75	385/65R22.5	10	Φ27	Φ335	Φ281	120	7	12		803403145
22.5x11.75	385/65R22.5	10	Φ26	Φ335	Φ281	0	7	12		803403146	
22.5x11.75	385/65R22.5	8	Φ16.5	Φ203.2	Φ152.5	22	7	12		803403147	
22.5x11.75	425R22.5	8	Φ32	Φ275	Φ214	2	7	16		803403148	
22.5x13.00	445/65R22.5	10	32	Φ335	Φ281	75	7	16		803403149	
22.5x13.00	445/65R22.5	10	26	Φ220	Φ285.75	75	7	16		803403150	
22.5x14.00	18R22.5	10	Φ27	Φ335	Φ281.5	75	7	16		803403151	
22.5x14.00	18R22.5	10	Φ26	Φ335	Φ281	20	7	16		803403152	
22.5x14.00	18R22.5	10	Φ32.5	Φ285.75	Φ221.5	117	7	16		803403153	
22.5x14.00	18R22.5	10	Φ27	Φ335	Φ281	175.5	7	16		803403154	
22.5x14.00	18R22.5	10	Φ35	Φ335	Φ272	72	7	16		803403155	
22.5x14.00	18R22.5	10	Φ27	Φ335	Φ281	18	7	16		803403156	
22.5x14.00	18R22.5	10	Φ32.5	Φ335	Φ281.5	74	7	14		803403157	
22.5x14.00	18R22.5	10	Φ32.5	Φ285.75	Φ221.5	60	7	16		803403158	
22.5x14.00	18R22.5	10	Φ27	Φ335	Φ281	133	7	16		803403159	
22.5x14.00	18R22.5	10	Φ35	Φ335	Φ272	85	7	16		803403160	
22.5x14.00	18R22.5	10	Φ30	Φ285.75	Φ217.5	85	7	16		803403161	
22.5x14.00	18R22.5	10	Φ27	Φ335	Φ281.5	86	7	16		803403162	
22.5x16.00	18R22.5	8	26	275	221	0	6	12		803403163	
22.5x16.00	550/60-22.5	8	21.5	275	221	0	6	12		803403164	
22.5x16.00	500/60-22.5	10	32	285.75	222	60	6	12		803403165	
22.5x16.00	550/45-22.5	10	26	335	281	0	6	12		803403166	
22.5x14.00	18R22.5	10	Φ27	Φ335	Φ281	60	7	14		803403167	

22.5"

15° DC Series Wheels (for bus and heavy-duty truck)

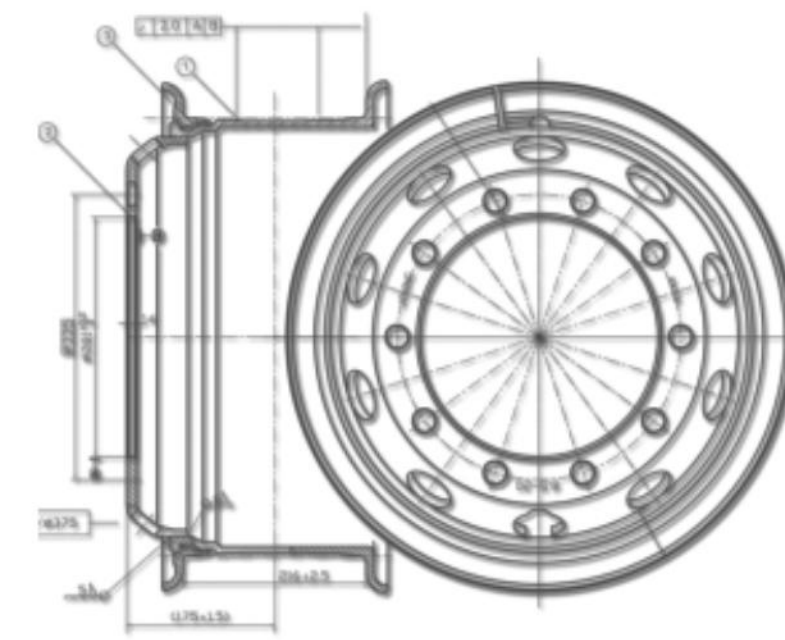


Dia.	Rim Size	Fitted tyre	Stud Holes		PC Dia.	Center Hole Dia.	Offset/ET.	Thickness		Model No.
			No.	Dia.				Rim	Disc	
24"	24X9.00	12R24	10	Φ32	Φ335	Φ284		7	14	803403168
	24X9.00	12R24	8	Φ27	Φ275	Φ224.8		7	14	803403169
	24X9.00	12R24	10	Φ23.8	Φ335	Φ281.18		7	14	803403170
	24X9.00	12R24	12	Φ20.7	Φ381	Φ324.3		7	14	803403171
24.5"	24.5X8.25	11R24.5	10	Φ26	Φ335	Φ281	156	7	14	803403172
	24.5X8.25	11R24.5	10	Φ26	Φ285.75	Φ220	156	6	11	803403173
	24.5X8.25	11R24.5	8	32	285	221	155	7	14	803403174
	24.5X8.25	11R24.5	10	32	285.75	222	155	6	11	803403175
	24.5X8.25	11R24.5	10	Φ26	Φ285.75	Φ221	168	6	11	803403176
	24.5X8.25	11R24.5	10	Φ32.5	Φ285.75	Φ221	168	6	11	803403177
	24.5X8.25	12R24.5						7		803403178
	24.5X11.75	15R24.5	9	Φ17.5	Φ241.3	Φ201.6	10	6	10	803403179
	24.5X11.75	15R24.5	8	Φ17.5	203.2	154	28	6	10	803403180
	24.5X11.75	15R24.5	9	Φ17.5	241.3	Φ201.6	22	6	16	803403181
	24.5X13.00	16.5R24.5	10	Φ32	Φ335	Φ281.2		6	11	803403182
	24.5X13.00	16.5R24.5	10	Φ23.8	Φ335	Φ285.75	36.8	6	16	803403183
24.5X13.00	16.5R24.5	10	Φ23.8	Φ335	Φ285.75	4.3	6	16	803403184	
24.5X13.00	16.5R24.5	10	Φ32	Φ335	Φ281.2		7	14	803403185	
24.5X13.00	16.5R24.5	10	Φ32	Φ335	Φ281	32	6	16	803403186	

24"
24.5"

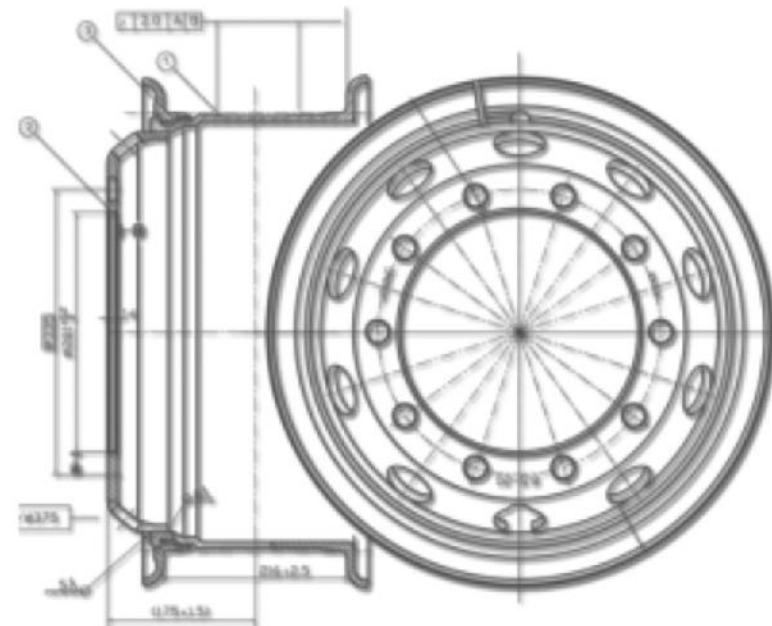


■ FB SDC Series Wheels (for tube truck and trailer)



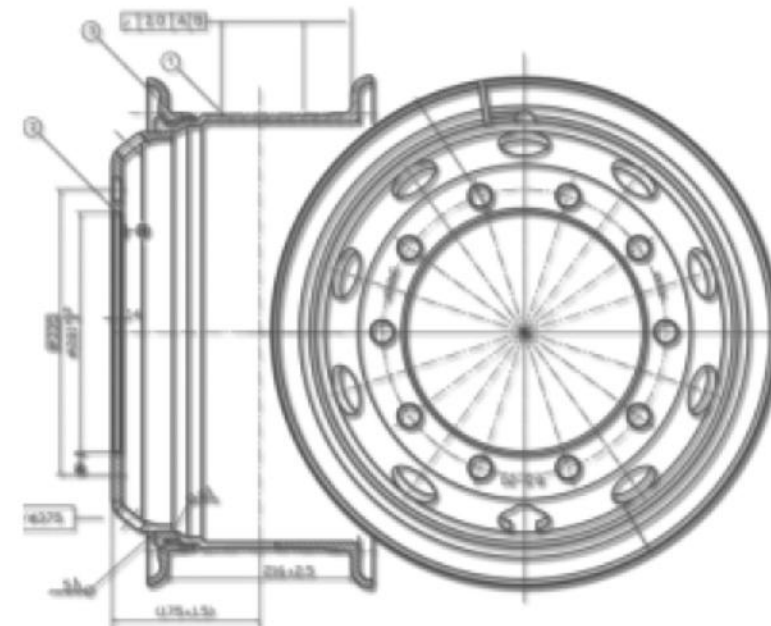
Dia.	Rim Size	Fitted tyre	Stud Holes		PC Dia.	Center Hole Dia.	Offset/ET.	Thickness		Model No.
			No.	Dia.				Rim	Disc	
16"	16 X 3.00D	4.00-16	5	15	139.7	106	18	4	6	803403187
	16 X 3.00D	4.00-16	5	15	139.7	110	20	4	6	803403188
	16 X 4.50E	6.50-16	6	20	152	110	93	4	6	803403190
	16 X 4.50E	6.50-16	5	15	139.7	110	5	4	6	803403191
	16 X 4.50E	6.50-16	6	14	152	110	47.5	4	6	803403192
	16 X 4.50E	6.50-16	6	17	180	141	15	4	6	803403193
	16 X 4.50E	6.50-16	5	15	140	96	15	4	15	803403194
	16 X 4.50E	6.50-16	6	14	180	140	30	4	6	803403195
	16 X 4.50E	6.50-16	6	19	152	117.7	10	4	8	803403196
	16 X 4.50E	6.50-16	6	20	152	112	80	4	6	803403197
	6.50-16	8.25-16	6	Φ32	220	165	77	6	10	803403199
	6.50-16	8.25-16	6	Φ32	Φ222.25	Φ163	135	6	12	803403200
	6.50-16	8.25-16	6	Φ20.2	Φ190	Φ140	112	6	10	803403202
	5.50F-16	7.50-16	6	17	180	141	22	5	10	803403203
	5.50F-16	7.50-16	6	17	285	250	46	5	10	803403204
	5.50F-16	7.50-16	6	20	152	110	55	5	10	803403206
	5.50F-16	7.50-16	6	20	190	146	46.5	5	10	803403207
	5.50F-16	7.50-16	4	17	180	142	25	5	10	803403208
	5.50F-16	7.00-16	5	Φ32.5	Φ203.2	Φ146	107	5	10	803403209
	5.50F-16	7.00-16	5	Φ29	Φ203.2	Φ146	107	5	10	803403210
	5.50F-16	6.50-16	6	Φ20.5	Φ190	Φ140	106	5	10	803403213
	5.50F-16	7.50-16	6	Φ32	Φ222.25	Φ163	119	5	10	803403214
	5.50F-16	7.50-16	6	Φ32	Φ222.25	Φ163	123	5	10	803403218
	5.50F-16	7.50-16	6	Φ29	Φ205	Φ161	123	5	10	803403219
	5.50F-16	7.50-16	6	27	184	133	117	5	10	803403222
	5.50F-16	7.50-16	6	Φ32	Φ208	Φ150	123	5	10	803403223
	5.50F-16	6.50-16	5	Φ28	Φ200	Φ145	107	5	10	803403229
	5.50F-16	7.0-16	5	Φ28	Φ200	Φ147	107	5	10	803403230
	5.50F-16	8.25-16	6	Φ32	Φ222.25	Φ163	124	5	10	803403231
	5.50F-16	7.00-16	6	Φ21	Φ180	Φ140.2	112	5	10	803403232
5.50F-16	7.00-16	6	Φ21	Φ205	Φ161	119	5	10	803403234	
5.50F-16	7.00-16	6	Φ21	Φ205	Φ161.5	123	5	10	803403235	
5.50F-16	7.50-16	6	Φ20.5	Φ190	Φ140	123	5	10	803403242	
5.50H-16	8.25-16	6	Φ21	Φ170	Φ130	101	5	10	803403243	
5.50H-16	7.00-16	6	Φ21.5	Φ205	Φ161	0	5	10	803403244	
6.00G-16	7.50-16	6	Φ21.5	Φ205	Φ161	0	6	10	803403245	
6.00G-16	7.50-16	5	Φ18.5	Φ140	Φ94.5	26	6	10	803403246	
6.00G-16	7.50-16	6	Φ32	Φ222.25	Φ163	135	6	10	803403247	
6.00G-16B1	7.50-16	6	Φ20.5	Φ190	Φ140	112	6	10	803403248	
6.00G-16B1	7.50-16	8	24	212	161	135	6	10	803403249	

■ FB SDC Series Wheels (for tube truck and trailer)



16"
20"

Dia.	Rim Size	Fitted tyre	Stud Holes		PC Dia.	Center Hole Dia.	Offset/ET.	Thickness		Model No.
			No.	Dia.				Rim	Disc	
16"	6.00G-16B1	7.50-16	5	20.5	203.5	146	135	6	10	803403250
	6.50-16	8.25-16(8.25R16)	6	Φ32	Φ222.25	Φ163	143	6	12	803403251
	6.50-16	8.25-16(8.25R16)	8	20.5	190	163	143	6	12	803403252
	7.00T-16	9.00-16	5	21.5	225	178	0	6	12	803403256
	7.00T-16	9.00-16	6	32	260	200	82	6	12	803403258
20"	7.00-16	8.25-16	6	26	Φ222.25	Φ163	143	6	12	803403259
	5.00S-20	7.00-20	6	Φ32	Φ222.25	Φ163	119	6	10	803403260
	5.50F-20	7.50-20	5	19	175	135	25	6	12	803403261
	5.50F-20	7.50-20	8	15	150	110	56.5	6	12	803403262
	5.50F-20	7.50-20	6	17	180	141	23.5	6	12	803403263
	5.50F-20	7.50-20	6	21.5	205	161	15	6	12	803403265
	5.50F-20	7.50-20	6	14	180	141	0	6	12	803403266
	5.50F-20	7.50-20	6	20	152	110	41	6	12	803403271
	5.50F-20	7.50-20	5	19	175	135	26	6	12	803403272
	5.50F-20	7.50-20	6	17	180	141	21	6	12	803403275
	5.50F-20	7.50-20	5	19	175	136	99	6	12	803403276
	6.00F-20	7.50-20	6	17	180	141	33	6	12	803403280
	6.00G-20	7.50-20	8	Φ32.5	Φ275	Φ214	127	6	12	803403281
	6.00G-20	7.50-20	8	Φ32.5	Φ222.25	Φ163	137	6	12	803403283
	6.50-20	8.25-20	8	Φ32	Φ222.25	Φ163	145	6	12	803403284
	6.50-20	8.25-20	8	Φ26	275	Φ213.5	145	6	12	803403286
	6.50-20	8.25-20	8	Φ32	Φ275	Φ214	145	6	12	803403290
	6.50-20	8.25-20	8	32	415	355	125	6	12	803403291
	6.50-20	8.25-20	8	32	380	324	125	6	12	803403292
	6.50-20	8.25-20	10	32	290	240	138.5	6	12	803403293
	7.25V-20	9.00-20	8	32	275	214	160	6	12	803403294
	7.00T-20	9.00-20	12	32	404	353	135	6	12	803403295
	7.00T-20	9.00-20	8	32	415	335	157	6	12	803403296
	7.00T-20	9.00-20	10	32	390	340	143	6	12	803403297
7.00T-20	9.00-20	8	Φ32	Φ275	Φ214	146	6	12	803403301	
7.00T-20	9.00-20	8	Φ32	Φ285	Φ220	113	6	14	803403302	
7.00T-20	9.00-20	8	Φ26	Φ275	Φ221	140	6	12	803403303	
7.00T-20	9.00-20	8	Φ32	Φ285	Φ221	136	6	12	803403304	
7.50V-20	10.00-20	10	Φ26	Φ335	Φ281	185	6	12	803403307	
7.50V-20	10.00-20	10	Φ26	Φ285.75	Φ220	165	10	14	803403308	
7.50V-20	10.00-20	10	Φ32.5	Φ285.75	Φ222	165	10	14	803403309	
7.50V-20	10.00-20	8	Φ32.5	Φ285	Φ221	165	10	14	803403310	
7.50V-20	10.00-20	8	Φ32.5	Φ275	Φ214	165	6	14	803403313	
7.50V-20	10.00-20	10	Φ32.5	Φ285.75	Φ222	150	6	14	803403314	
7.50V-20	10.00-20	10	Φ26	Φ285.75	Φ220	151	6	14	803403316	

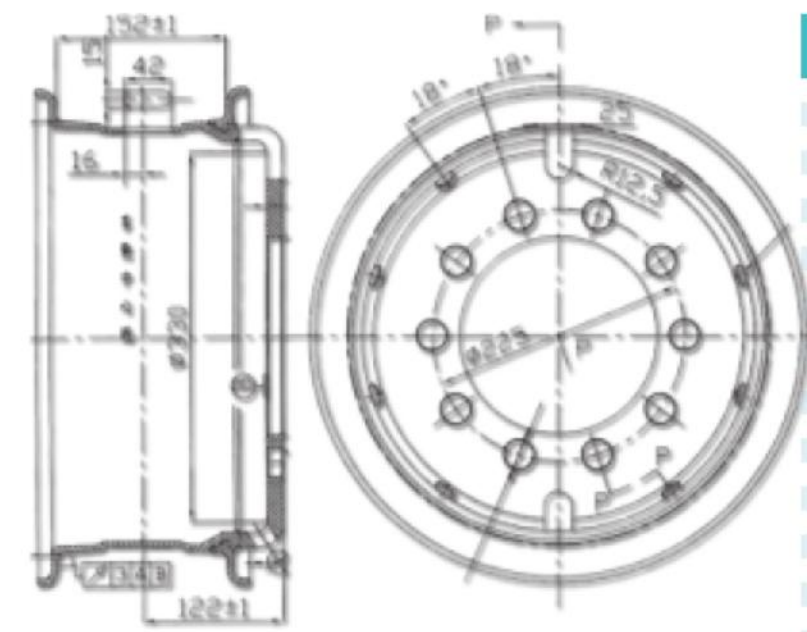


20"
24"

Dia.	Rim Size	Fitted tyre	Stud Holes		PC Dia.	Center Hole Dia.	Offset/ET.	Thickness		Model No.
			No.	Dia.				Rim	Disc	
20"	7.50V-20	10.00-20(16)	10	Φ26	Φ335	Φ281	151	6	14	803403318
	7.50V-20	10.00-20	8	Φ32	Φ285.75	Φ221	163	6	14	803403325
	7.75V-20	10.00-20	8	32	285	221	152	6	14	803403328
	8.00-20	11.00-20	10	Φ26	Φ335	Φ281	158	7	14	803403329
	8.00-20	11.00-20	10	Φ32	Φ335	Φ272	164.5	7	14	803403330
	8.00-20	11.00-20	10	Φ26	Φ335	Φ281	0	7	14	803403331
	8.00-20	11.00-20	8	Φ32	Φ265	Φ221	153	7	14	803403332
	8.00-20	11.00-20	10	Φ26	Φ335	Φ281	*172	7	14	803403336
	8.00V-20	11.00-20	10	Φ26	Φ335	Φ281	161	7	14	803403337
	8.00V-20	11.00-20	10	Φ32.5	Φ285.75	Φ222	161	7	14	803403338
	8.00V-20BG	11.00-20	8	Φ32.5	Φ285	Φ221	170	7	12	803403341
	8.00V-20BT	11.00-20	10	Φ27	Φ335	Φ281	172	7	12	803403342
	8.00V-20CA	11.00-20	10	Φ26	Φ335	Φ281	*175	7	14	803403343
	8.00V-	11.00-20	10	Φ27	Φ335	Φ281	172	7	12	803403345
	8.00V-	11.00-20	10	Φ26	Φ335	Φ272	170	7	10	803403346
	8.25V-20		8	32	285	221	167	7	13	803403348
	8.50-20	12.00-20	10	23	335	281	33.3	7	14	803403349
	8.50-20	12.00-20	16	24	370	320	187	7	14	803403350
	8.50-20	12.00-20	10	26	335	281	180	7	14	803403351
	8.50-20	12.00-20	10	Φ23	Φ335	Φ281	134.5	7	14	803403354
8.50-20	12.00-20	10	Φ32.5	Φ285.75	Φ222	163	7	14	803403355	
8.50-20B	12.00-20	10	Φ27	Φ335	Φ281	172	7	12	803403362	
8.50-20S	12.00-20	10	Φ26	Φ335	Φ281	175	7	14	803403363	
8.50-20Y	12.00-20	10	Φ26	Φ335	Φ281	175	7	14	803403364	
8.50-20YT	12.00-20	12	Φ26	Φ381	Φ325	173	7	14	803403365	
9.00-20	12.00-20	10	26	335	281	185	10	16	803403366	
10.00-20	14.00-20	10	26	335	281	70	10	16	803403367	
11.00-20	15.00-20	9	18	242	202	-40	10	16	803403368	
12.00-20	15.5-20	10	Φ27	Φ335	Φ281	102	10	16	803403369	
8.50-24	12.00-24	10	Φ26	Φ335	Φ281	185	5	16	803403370	
8.50-24	12.00-24	10	Φ27	Φ335	Φ281	180	5	16	803403371	
8.50-24	12.00-24	10	Φ26	Φ335	Φ281	168	5	14	803403372	
8.50-24	12.00-24	8	Φ26	Φ275	Φ221	180	6	14	803403375	
8.75-24		10	26	335	281	166	7	14	803403376	
9.00-24		10	30	335	283.4	22.4	8	13	803403377	
9.00-24		10	24	335	281	16	8	13	803403378	
10.00-24	14.00-24	12	24	425	371	195	10	16	803403380	
13.00-24	18.00-24	10	Φ24	Φ335	Φ280	80	10	16	803403381	



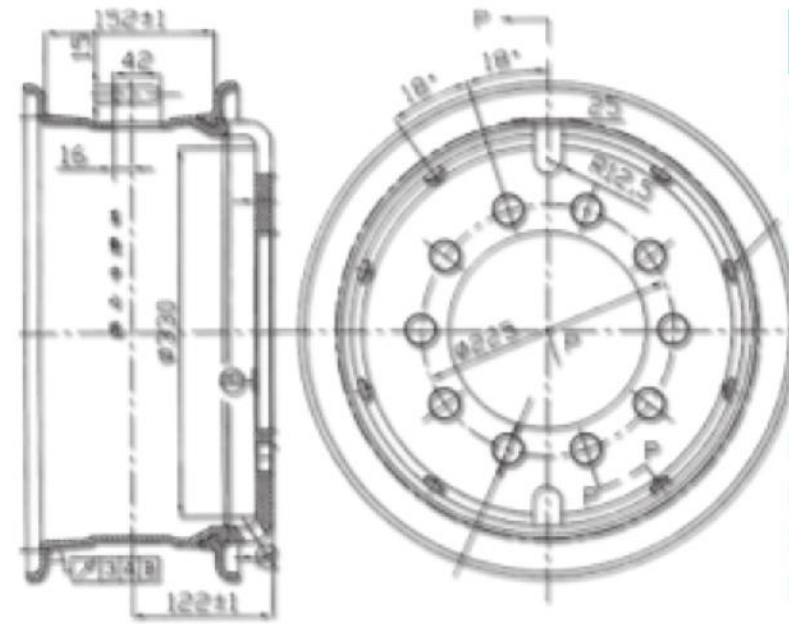
Forklift/Industrial/Low loaders Series



8"
9"
10"
12"

Dia.	Rim Size	Fitted tyre	Stud Holes		PC Dia.	Center Hole Dia.	Offset/ET	Thickness		Model No.	
			No.	Dia.				Rim	Disc		
8"	2.50C-8	4.00-8	4	10.5	110	70			3	803404001	
	3.00D-8	4.00-8	6	14.5	148	106	0		4	803404002	
	3.00D-8	4.00-8	6	15	125	100	0		5	803404003	
	3.00D-8	5.00-8	6	14.5	148		0		5	803404004	
	3.50D-8	5.00-8	6	15	125		0		5	803404005	
	4.33R-8	18X7-8	6	13.2	148		0		4	803404006	
	4.33R-8	18X7-8	5	18.5	145	110	25		10	803404007	
9"	4.33R-8 3pc	18X7-8	6	14.5	148	110	15		9	803404008	
	3.00D-8	15x4 1/2-8"	5	18.5	114.3	80	27		10	803404009	
	5.5x8	16x6.5-8	4	14	101.6	72	-2	2	5	803404010	
	3.50W-9		6	16.8	166		0		6	803404011	
	3.70R-9		6	17	175	140	0		5	803404012	
	4.00E-9	6.00-9	8	16	160		0		5	803404013	
	4.00E-9	6.00-9	6	17	170	140	0		5	803404014	
10"	4.00E-9	6.00-9	6	18	170	140	0		5	803404015	
	4.00E-9	6.00-9	6	17.5	180		0		5	803404016	
	4.33R-9	7.00-9	6	16.5	145	105	0		4	803404017	
	4.33R-9	7.00-9	6	16.5	145	105	0		5	803404018	
	5.00S-9	7.00-9	6	16.5	170		0		5	803404019	
	5.00F-10	200/50-10	5	21.5	160	110	9		10	803404020	
	6.50-10	200/50-10	5	21.5	160	110	54		10	803404021	
	6.50-10	6.5-10	5	18.5	145	110	7.5		10	803404022	
	5.00F-10	6.5-10	8	16	160	130	0		5	803404023	
	5.00F-10	6.5-10	6	17.5	180	150	0		5	803404024	
12"	5.00F-10	6.5-10	6	17.5	180	150	0		6	803404025	
	5.00F-10 4pc	6.5-10	6	13.5	139	110	0		12	803404026	
	6.5-10	23X9-10	5	15	145	110	32		6	803404027	
	6.5-10	23X9-10	6	28	142	102.5	35		6	803404028	
	6.50F-10	23X8/9-10	6	18.5	188	145			6	803404029	
	5.00S-12		14	16	210	178	60		10	803404030	
	8.00G-12	27X10-12	14	16	210	178	28		12	803404031	
	8.00G-12	23X10-12NHS	6	20	220	160	8.5		12	803404032	
	8.00G-12	27X10-12NHS								NO DISC	803404033
	4.50E-12	5.50-12	4	17	170	135	0		3	803404034	
12"	5.00S-12	7.00-12	6	14.5	180	150	0		5	803404035	
										803404036	
	5.00S-12	7.00-12	6	32	220	151	0		6	803404037	
	5.00S-12	7.00-12	6	27	200	150	0		6	803404038	
	5.00S-12	7.00-12	5	32	210	158	0		6	803404039	
	5.00S-12	7.00-12	6	27	220	170	0		6	803404040	
	5.00S-12 4pc	7.00-12	8	27	190	145	70		12	803404041	
	5.00E-12		4	17	170	135	0		6	803404042	
	6.50F-12	8.25-12	8	14	186	155	0		6	803404043	
	6.50F-12	8.25-12	5	32	225	180	0		6	803404044	
12"	8.00G-12	27X10-12	6	27	200	150	0		6	803404045	
	8.0-12	27X10-12	10	26	225	176	-6		10	803404046	

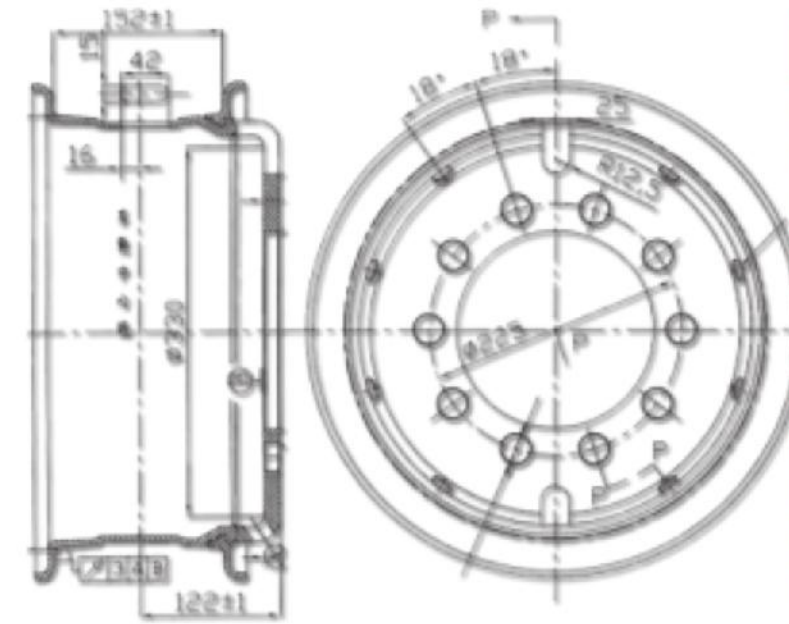
Forklift/Industrial/Low loaders Series



15"
16"

Dia.	Rim Size	Fitted tyre	Stud Holes		PC Dia.	Center Hole Dia.	Offset/ET.	Thickness		Model No.
			No.	Dia.				Rim	Disc	
15"	6.00GS-15	7.50-15	10	26	225	176	123	12	12	803404047
	6.00GS-15	7.50-15	32	10	225	171	123	12	12	803404048
	6.50-15	8.25-15	6	32	220	165	77	12	12	803404049
	6.50-15	8.25-15	6	32	250	200	74	12	12	803404050
	6.50-15	8.25-15	10	32	290	240	136	12	12	803404051
	6.50-15	8.25-15	8	32	290	240	135	12	12	803404052
	6.50-15	8.25-15	8	21.5	230	190	31.5	12	12	803404053
	6.50-15	8.25-15	10	26	255	176	139	12	12	803404054
	6.50-15	8.25-15	6	32	222	161	-10	12	12	803404055
	6.50-15	8.25-15	8	32	290	240	128.5	12	12	803404056
	6.50-15	8.25-15	8	32	260	199	33	12	12	803404057
	6.50-15	8.25-15	6	32	222	162	78	12	12	803404058
	7.00F-15	28X9-15	6	32	200	150	77	10	10	803404059
	7.00F-15	28X9-15	5	21.5	225	180	-5	10	10	803404060
	7.00F-15	28X9-15	6	23	220	180	-20	10	10	803404061
	7.00F-15	28X9-15	8	26	210	165	0	10	10	803404062
	7.00F-15	28X9-15	6	32	220	170	0	10	10	803404063
	7.00F-15	28X9-15	8	26	190	145	0	10	10	803404064
	7.50V-15	250-15	8	32	200	150	0	12	12	803404065
	7.50V-15	250-15	6	24	250	200	70	12	12	803404066
8.00V-15	300-15	6	32	250	200	90	10	10	803404067	
8.00V-15	300-15	6	32	222	165	70	12	12	803404068	
9.00-15	315/70-15	8	24	275	221	15	12	12	803404069	
9.75-15	355/65-15	10	26	225	176	25	12	12	803404070	
11.00-15	22X13-15	10	26	225	175	-7	12	12	803404071	
16"	6.50-16	8.25-16	6	32	220	165	77	12	12	803404072
	7.00F-16	9.00-16	5	21.5	225	178	0	12	12	803404073
	7.00F-16	9.00-16	5	21.5	225	178	135	12	12	803404074
	7.00F-16	9.00-16	6	32	260	200	82	12	12	803404075
	8.25x16.5	10.00-16.5	5		140	94	0			803404076
	8.25x16.5	10.00-16.5	6		205	161	0			803404077
8.25x16.5	10.00-16.5	8		203.2	152.4	0			803404078	

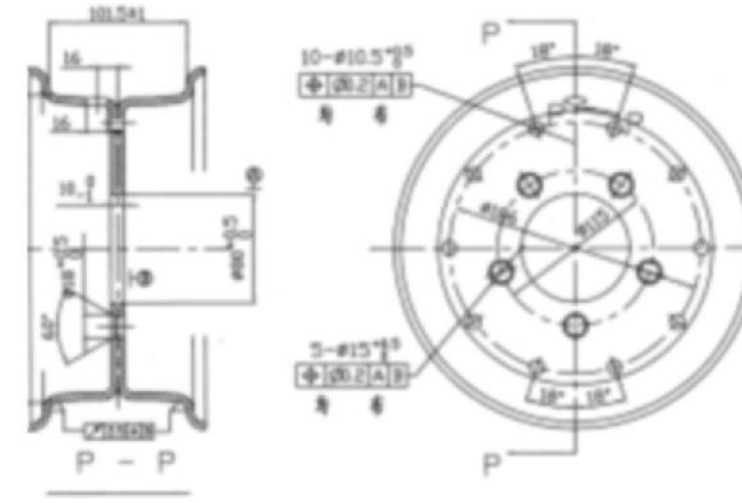
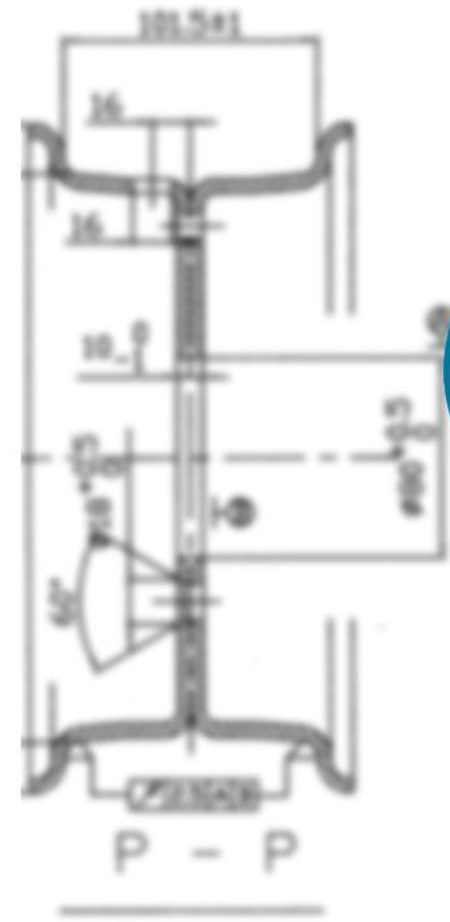
Forklift/Industrial/Low loaders Series



16.5"
18"
20"
24"

Dia.	Rim Size	Fitted tyre	Stud Holes		PC Dia.	Center Hole Dia.	Offset/ET.	Thickness		Model No.
			No.	Dia.				Rim	Disc	
16.5"	9.75x16.5	12.00-16.5	6		205	161	0			803404079
	9.75x16.5	12.00-16.5	8		203.2	152.4	0			803404080
	9.75x16.5	12.00-16.5	8		275	221.25	-13			803404081
	12.00x16.5	33/15.50-16.5	9		241.3	201.6	0			803404082
	12.00x16.5	33/15.50-16.5	8		203.2	152.4	11			803404083
18"	7.00-18		6	17	203.2	153	0	12	12	803404084
	6.50-20	8.25-20	6	32	415	355	125	12	12	803404085
20"	6.50-20	8.25-20	8	32	380	324	125	12	12	803404086
	6.50-20	8.25-20	10	32	290	240	138.5	12	12	803404087
	7.00F-20	9.00-20	8	32	404	353	135	12	12	803404088
	7.00F-20	9.00-20	10	32	415	335	157	12	12	803404089
	7.00F-20	9.00-20	8	32	390	340	143	12	12	803404090
	7.00F-20	9.00-20	10	32	335	281	30	12	12	803404091
	7.50V-20	10.00-20	8	23	335	281	0	12	12	803404092
	8.00-20	12.00R20	8	17.2	203.2	153	-34	12	12	803404093
	8.00-20	12.00R20	10	20.5	275	221	21.6	12	12	803404094
	8.00-20	12.00R20	10	26	335	281	102	12	12	803404095
	8.50-20	12.00-20	16	23	335	281	33.3	12	12	803404096
	8.50-20	12.00-20	10	24	370	320	187	12	12	803404097
	10.00-20	14.00-20	9	26	335	281	70	16	16	803404098
	11.00-20	15.00-20	10	18	242	202	-40	16	16	803404099
24"	8.50-24	12.00R24	8	30	335	281	0	16	16	803404100
	8.50-24	12.00R24	16	27	275	221	0	16	16	803404101
	8.50-24	12.00R24	12	26	400	350	200	16	16	803404102
	10.00-24	14.00-24	10	24	425	371	195	16	16	803404103
	10.00-24	14.00-24	24	26	335	281	0	16	16	803404104
			26	425	371	198	16	16	16	803404105
3PC	4.33R-8	18X7-8	6	14.5	148	110	0	6	15	803404106
4PC	5.00F-10	6.5-10	6	13.5	139	110	0	6	12	803404107
4PC	5.00S-12	7.00-12	8	31.5	190	145	70	6	12	803404108

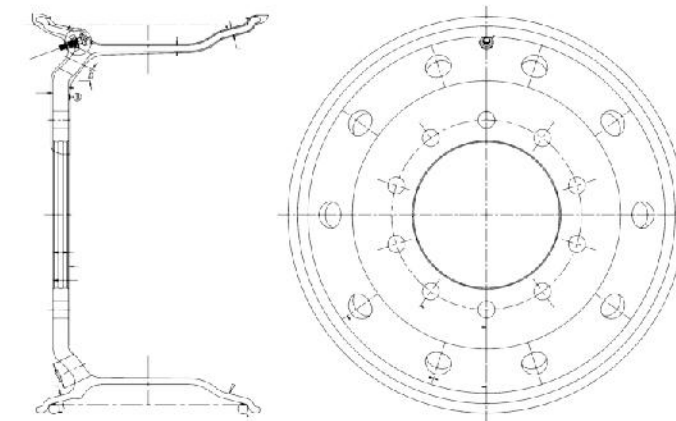
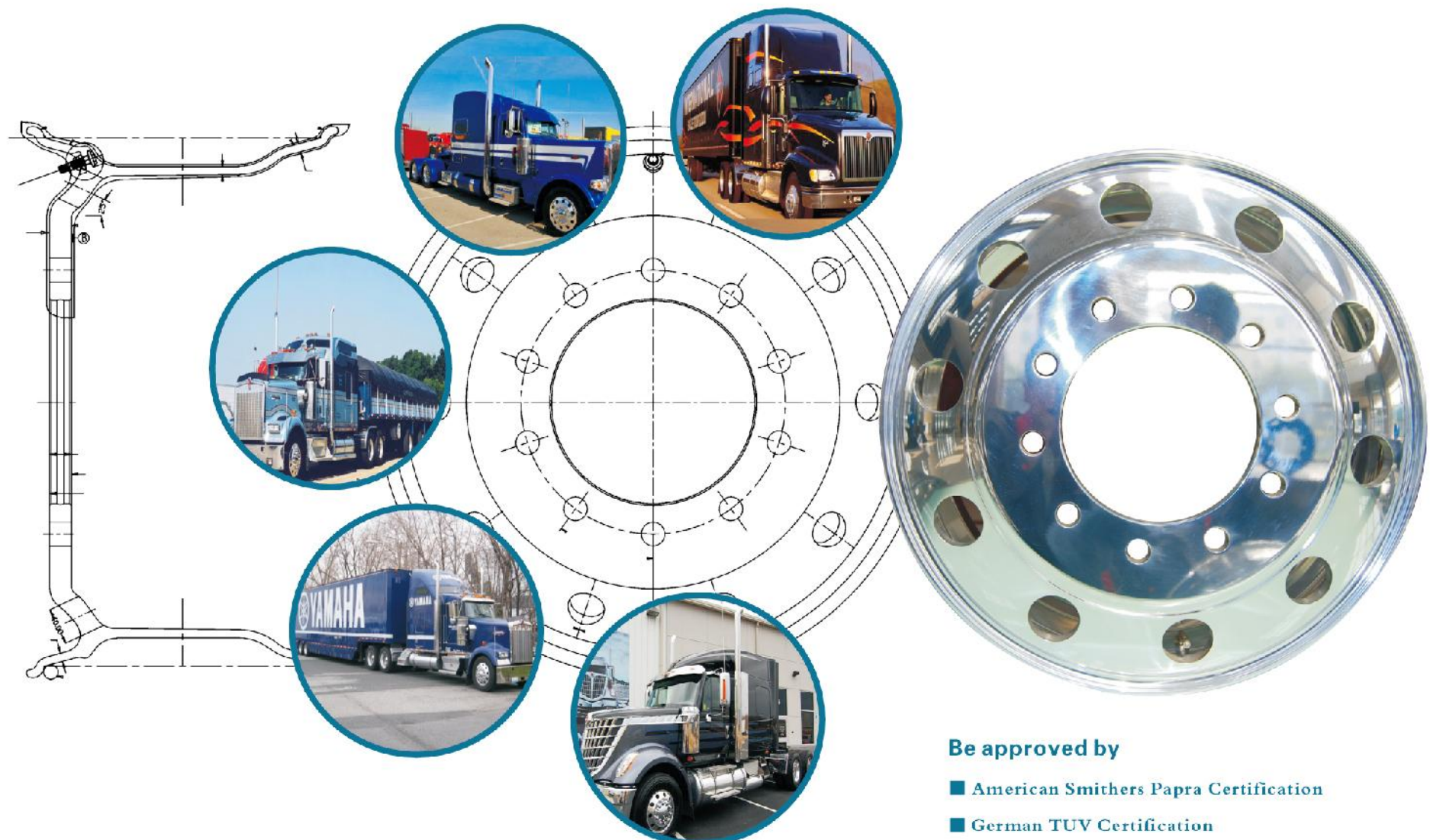
■ Forklift Split Wheel Rim



8"
9"
10"
12"

Dia.	Rim Size	Fitted tyre	Stud Holes		PC Dia.	Center Hole Dia.	Offset/ET.	Thickness		Model No.
			No.	Dia.				Rim	Disc	
8"	2.50C-8	4.00-8	4	10.5	110	70		3		803404074
	3.00D-8	4.00-8	6	14.5	148	106	0	4		803404075
	3.00D-8	4.00-8	6	15	125	100	0	5		803404076
	3.00D-8	5.00-8	6	14.5	148		0	5		803404077
	3.50D-8	5.00-8	6	15	125		0	5		803404078
	4.33R-8	18X7-8	6	13.2	148		0	4		803404079
	4.33R-8	18X7-8	5	18.5	145	110	25	10		803404080
	4.33R-8	18X7-8	6	14.5	148	110	15	9		803404081
	3.00D-8	15X4 1/2-8	5	18.5	114.3	80	27	10		803404082
		5.5x8	16x6.5-8	4	14	101.6	72	22	5	
9"	3.50W-9		6	16.8	166		0	6		803404084
	3.70R-9		6	17	175	140	0	5		803404085
	4.00E--9	6.00-9	8	16	160		0	5		803404086
	4.00E--9	6.00-9	6	17	170	140	0	5		803404087
	4.00E--9	6.00-9	6	18	170	140	0	5		803404088
	4.00E--9	6.00-9	6	17.5	180		0	5		803404089
	4.33R-9	7.00-9	6	16.5	145	105	0	4		803404090
	4.33R-9	7.00-9	6	16.5	145	105	0	5		803404091
	5.00S-9	7.00-9	6	16.5	170		0	5		803404092
	5.00F-10	6.50-10	5	21.5	160	110	9	10		803404093
10"	6.50-10	200/50-10	5	21.5	160	110	54	10		803404094
	6.50-10	200/50-10	5	18.5	145	110	7.5	10		803404095
	5.00F-10	6.5-10	8	16	160	130	0	5		803404096
	5.00F-10	6.5-10	6	17.5	180	150	0	5		803404097
	5.00F-10	6.5-10	6	17.5	180	150	0	6		803404098
	5.00F-10	6.5-10	6	13.5	139	110	0	12		803404099
	5.00S-12	8.25-12	14	16	210	178	60	10		803404100
	4.50E-12	5.50-12	4	17	170	135	0	3		803404101
	5.00S-12	7.00-12	6	14.5	180	150	0	5		803404102
	5.00S-12	7.00-12	6	32	220	151	0	6		803404103
12"	5.00S-12	7.00-12	6	27	200	150	0	6		803404104
	5.00S-12	7.00-12	5	32	210	158	0	6		803404105
	5.00S-12	7.00-12	6	27	220	170	0	6		803404106
	5.00S-12	7.00-12	8	27	190	145	70	12		803404107
	5.00E-12		4	17	170	135	0	6		803404108
	6.50F-12	8.25-12	8	14	186	155	0	6		803404109
	6.50F-12	8.25-12	5	32	225	180	0	6		803404110
	8.00G-12	27X10-12	6	27	200	150	0	6		803404111
	8.0-12	27X10-12	10	26	225	176	-6	10		803404112

■ Forged alloy truck wheels



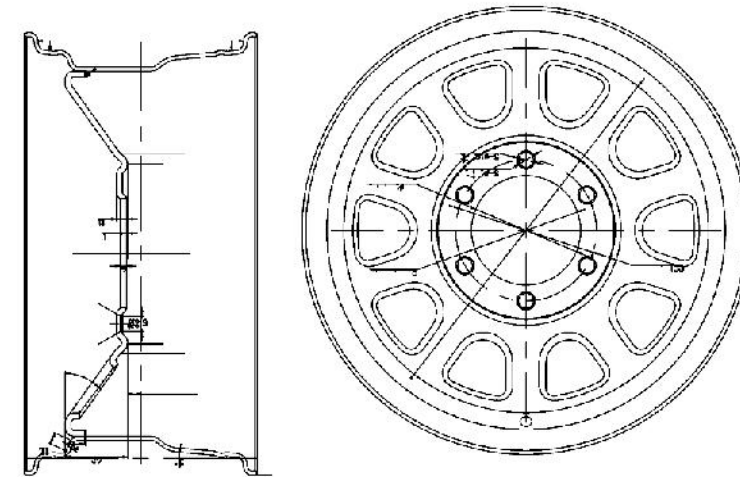
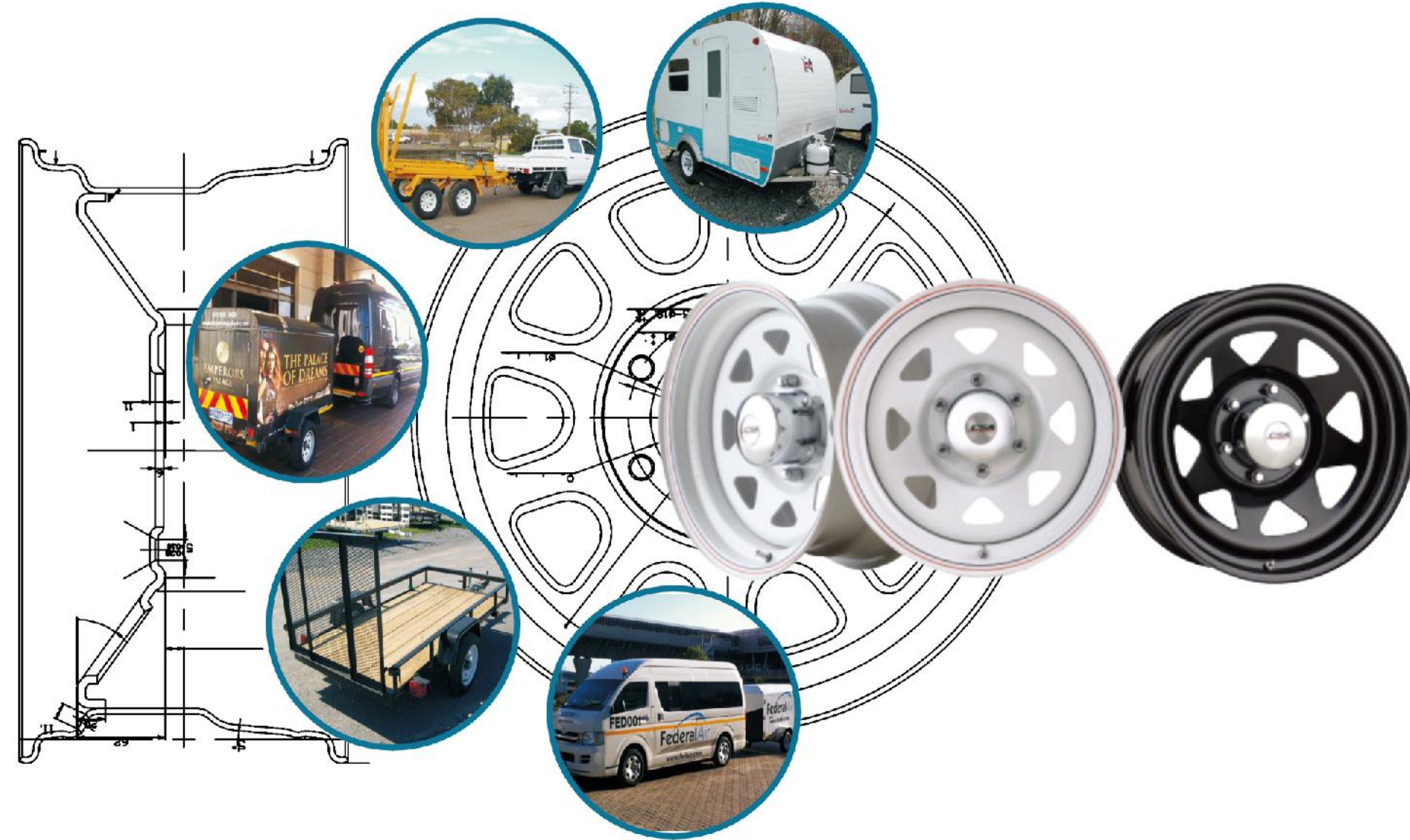
- Be approved by**
- American Smithers Papra Certification
 - German TUV Certification
 - Brazilian INMETRO Certification
 - American DOT Certification

▶▶ 17.5"
19.5"
22.5"
24.5"

Dia.	Rim Size	Fitted tyre	Stud Holes		PC Dia.	Center Hole Dia.	Offset/ET.	Thickness		Model No.
			No.	Dia.				Rim	Disc	
17.5	17.5x6.00	215/75R17.5	5	24	203	146	115			803407621
	17.5x6.00	215/75R17.5	5	32.5	208	150	115			803407622
	17.5x6.00	8R17.5	6	24	222.25	164	115			803407623
	17.5x6.00	8R17.5	10	26	225	176	115			803407624
	17.5x6.75	9R17.5	6	32.5	222.25	164	140			803407625
	17.5x6.75	9R17.5	6	26	245	202.2	140			803407626
19.5	17.5x6.75	9R17.5	10	26	225	176	140			803407627
	19.5x6.75	245/70R19.5	8	24	275	221	140			803407628
	19.5x6.75	245/70R19.5	8	32.5	275	221.1	140			803407629
	19.5x7.50	265/70R19.5	8	24	275	221	155			803407630
	19.5x7.50	265/70R19.5	8	26	275	221	155			803407631
	19.5x7.50	265/70R19.5	8	32.5	275	221	155			803407632
22.5	19.5x7.50	265/70R19.5	10	26	285.75	220	166			803407633
	22.5x8.25	11R22.5	8	32.5	275	221	168			803407634
	22.5x8.25	11R22.5	10	26	285.75	220	168			803407635
	22.5x8.25	11R22.5	10	32.5	285.75	220	168			803407636
	22.5x8.25	295/80R22.5	10	26	335	281	168			803407637
	22.5x8.25	295/80R22.5	10	32.5	335	281	168			803407638
	22.5x9.00	12R22.5	10	26	285.75	220	175			803407639
	22.5x9.00	12R22.5	10	32.5	285.75	220	175			803407640
	22.5x9.00	315/80R22.5	10	26	335	281	175			803407641
	22.5x9.00	315/80R22.5	10	32.5	335	281	175			803407642
	22.5x11.75	385/65R22.5	10	26	285.75	220	120			803407643
	22.5x11.75	385/65R22.5	10	32.5	285.75	220	120			803407644
24.5	22.5x11.75	385/65R22.5	10	26	335	281	120			803407645
	22.5x11.75	385/65R22.5	10	32.5	335	281	120			803407646
	22.5x13.00	425/65R22.5	10	26	285.75	220	75			803407647
	22.5x13.00	425/65R22.5	10	26	335	281	75			803407648
	22.5x14.00	445/65R22.5	10	26	285.75	220	85			803407649
	22.5x14.00	445/50R22.5	10	32.5	285.75	220	85			803407650
	22.5x14.00	18R22.5	10	26	335	281	85			803407651
	24.5x8.25	11R24.5	10	26	285.75	220	168			803407652
	24.5x8.25	11R24.5	10	32.5	285.75	220	168			803407653
	24.5x8.25	11R24.5	10	26	335	281	168			803407654
24.5x8.25	11R24.5	10	32.5	335	281	156			803407655	

Finish: MACHINED, POLISHED INSIDE, POLISHED OUTSIDE, POLISHED BOTH SIDES
Mark: the fitted tyres are also available

■ Small Trailers wheels, 4x4 wheels, etc.



12"
13"
14"
15"
16"
17"

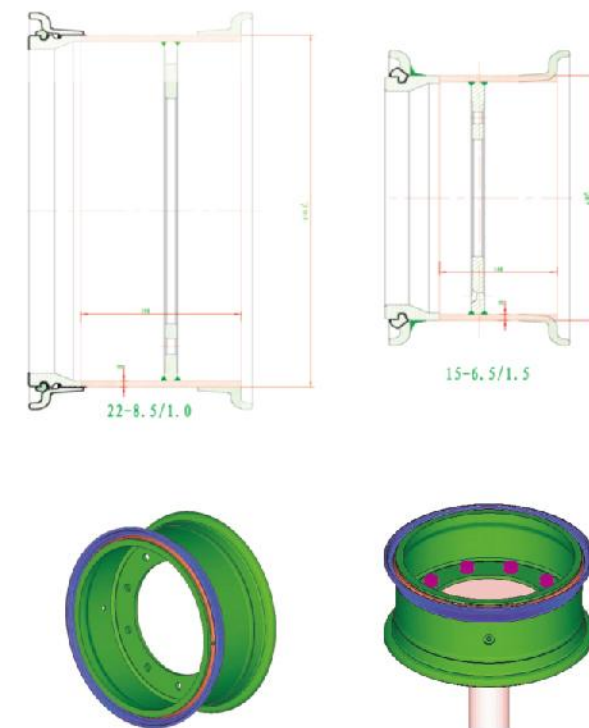
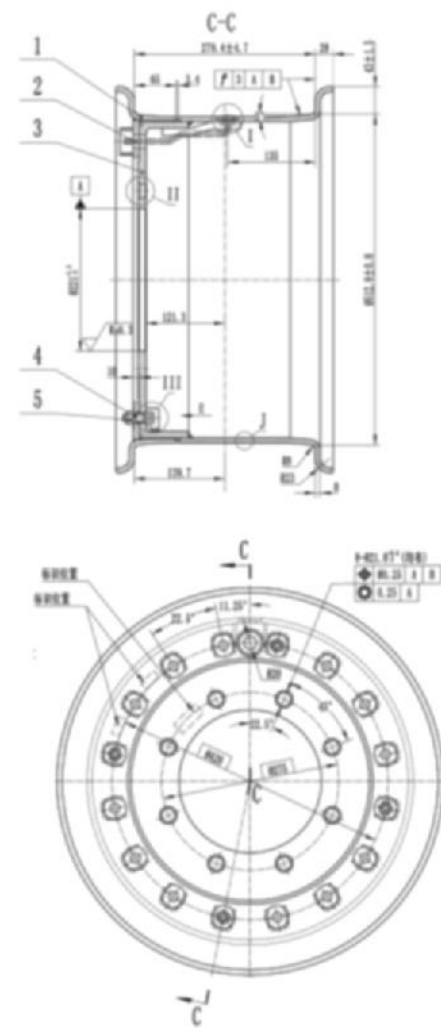
Dia.	Rim Size	Fitted tyre	Stud Holes		PC Dia.	Center Hole Dia.	Offset/ET.	Thickness		Model No.
			No.	Dia.				Rim	Disc	
12"	12x4	ST145R12	4	Φ15	Φ100	Φ 68	0	3.5	5	803406211
13"	13x4.5	ST175/80R13	4	Φ15	Φ100	Φ 68	0	3.5	5	803406212
	13x4.5	ST175/80R13	5	Φ15	Φ108	Φ 75	0	3.5	5	803406213
	13x4.5	ST175/80R13	5	Φ15	Φ114.3	Φ 81	0	3.5	5	803406214
14"	13x5.5	ST185/80R13	5	Φ15	Φ114.3	Φ 75	11	3.5	5	803406215
	13x5.5	ST185/80R13	5	Φ15	Φ108	Φ 75	0	3.5	5	803406216
	14x5	ST205/75R14	5	Φ15	Φ108	Φ 75	5	3.5	5	803406217
	14x6	ST215/75R14	5	Φ15	Φ114.3	Φ 81	0	3.5	5	803406218
	14x6	ST215/75R14	8	Φ15	Φ139.7	Φ 108.7	14	3.5	5	803406219
	14x6	ST215/75R14	6	Φ15	Φ139.7	Φ 110	8	3.5	5	803406220
15"	14x6	ST215/75R14	5	Φ15	Φ120.65	Φ 84	5	3.5	5	803406221
	14x6	ST215/75R14	5	Φ15	Φ114.3	Φ 84	5	3.5	5	803406222
	14x6	ST215/75R14	5	Φ15	Φ108	Φ 75	5	3.5	5	803406223
	14x7	ST235/60R14	5	Φ15	Φ114.3	Φ 84.3	5	3.5	5	803406224
	15x5	ST205/75R15	5	Φ15	Φ114.3	Φ 84	0	3.5	5	803406225
	15x5	ST205/75R15	5	Φ15	Φ127	Φ 84	0	3.5	5	803406226
	15x6	ST225/75R15	8	Φ15	Φ139.7	Φ 108.7	0	3.5	5	803406227
	15x6	ST225/75R15	5	Φ15	Φ114.3	Φ 84	0	3.5	5	803406228
	15x7	ST235/75R15	5	Φ15	Φ114.3	Φ 75	-25	3.5	5	803406229
	15x7	ST235/75R15	5	Φ15	Φ139.7	Φ 108.7	10	3.5	5	803406230
16"	15x7	ST235/75R15	8	Φ15	Φ139.7	Φ 110	-3	3.5	5	803406231
	15x8	ST235/75R15	6	Φ15	Φ139.7	Φ 111	-20	3.5	5	803406232
	15x8	ST235/75R15	5	Φ15	Φ114.3	Φ 84	-28	3.5	5	803406233
	15x10	ST235/75R15	5	Φ15	Φ114.3	Φ 84	-38	3.5	5	803406234
	15x10	ST235/75R15	8	Φ15	Φ139.7	Φ 110	58	3.5	5	803406235
	16x6	ST235/80R16	6	Φ15	Φ139.7	Φ 108.7	0	4	6	803406236
	16x6	ST235/80R16	8	Φ15	Φ165.1	Φ 130.8	0	4	6	803406237
	16x7	ST245/75R16	5	Φ15	Φ150	Φ 112	0	4	8	803406238
	16x7	ST245/75R16	8	Φ15	Φ139.7	Φ 111	13/30	4	6	803406239
	16x8	ST285/75R16	5	Φ15	Φ150	Φ 111	0	4	6	803406240
17"	16x8	ST285/75R16	6	Φ15	Φ139.7	Φ 111	14	4	6	803406241
	16x8	ST285/75R16	8	Φ15	Φ165.1	Φ 130.8	20	4	8	803406242
	16x10	ST365/75R16	5	Φ15	Φ160	Φ 111	0/8	4	6	803406243
	16x10	ST365/75R16	6	Φ15	Φ139.7	Φ 111	28	4	6	803406244
	16x10	ST385/75R16	8	Φ15	Φ165.1	Φ 130.8	35	4	6	803406245
	17x8	ST285/75R17	5	Φ17	Φ150	Φ 111	0	4	8	803406246
	17x8	ST285/75R17	8	Φ17	Φ139.7	Φ 111	25/40	4	6	803406247
	17x9	ST285/75R17	5	Φ17	Φ150	Φ 111	0	4	6	803406248
17x9	ST285/75R17	6	Φ17	Φ139.7	Φ 111	25/40	4	6	803406249	

Finish: BLACK, WHITE, GALVANISED

Mark: the fitted tyres are also available

■ SPECIAL APPLICATIONS

■ SPECIAL APPLICATIONS



WHEELS FOR MILITARY VEHICLES

WHEELS FOR MONORAIL TRAINS

NEW RELEASED WHEELS

NARROW ROW CROP WHEELS

Available wheel Width in 7",8",9",10",11",12"... & Diameter in 24",28",32",36",38",40",42",44",46",48",50",52",54"...



NEW RELEASED WHEELS

DMS TRACTOR WHEELS—coming soon

Dual mounting system – mounted on the tractor wheel

- Easy to maintain and service
- Easy to mount and demount
- Attached rim and drum for easy handling
- Painted in the original colour of the tractor

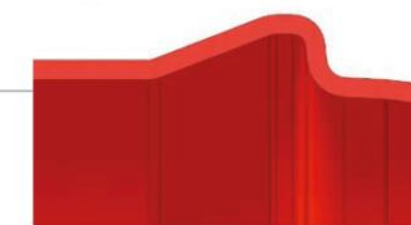
Number of clamps

Tractors up to 250 hp	4 clamps
Tractors over 250 hp	6 clamps



Drum profile

The unique profile of the DU0500 drum makes it suitable for most rim brands and also facilitates very easy mounting. The drum will not stick to the tractor rim.



Mounting



1 Fasten the nuts

2 Align the dual wheel

3 Put the hook in the ring nut and the clamp over the clamping and lock the device

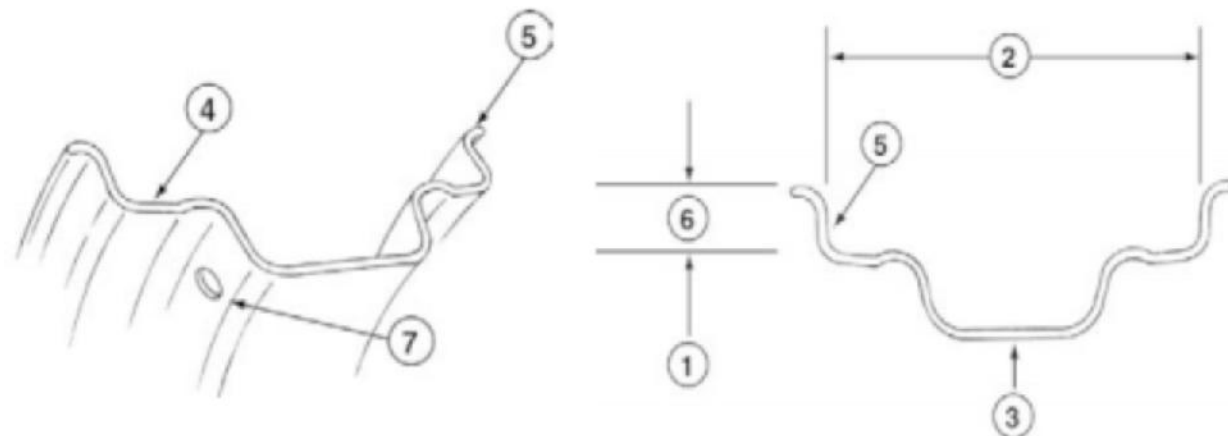


GENERAL INFORMATION AND TECHNICAL EXPLANATION

Identification/Terminology

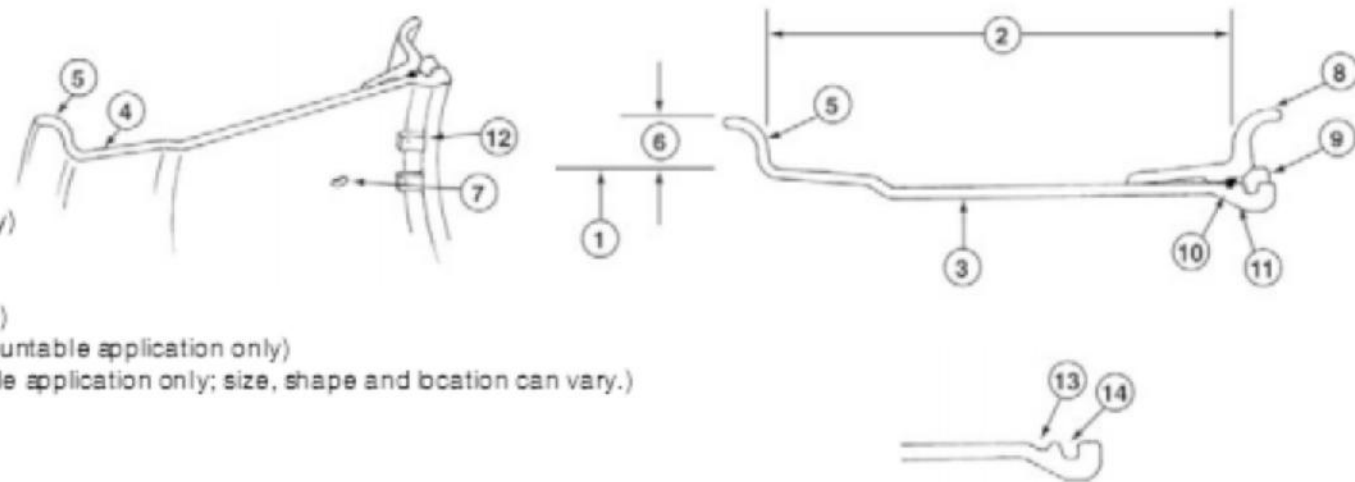
Single-Piece Rims

1. Rim Size (Nom. Bead Seat Dia.)
2. Rim Width
3. Rim Inside Dia.
4. Bead Seat Area
5. Flange
6. Flange Height
7. Valve Hole (Location and size can vary)



Multi-Piece Rims (3-Piece Type)

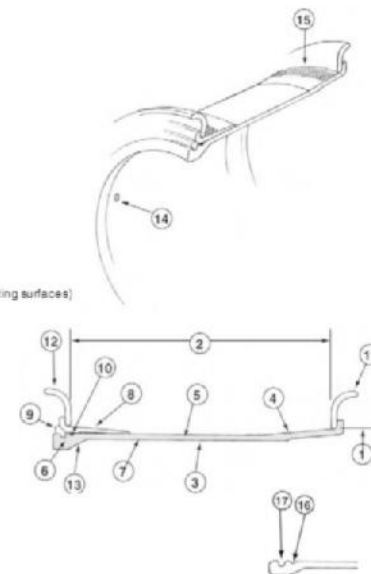
1. Rim Size (Nom. Bead Seat Dia.)
2. Rim Width
3. Rim Inside Dia.
4. Bead Seat Area
5. Flange-Fixed
6. Flange Height
7. Valve Hole (Location and size can vary)
8. Flange-Removable (Side Ring)
9. Lock Ring
10. O-Ring (For tubeless application only)
11. 28° Mounting Bevel (utilized for demountable application only)
12. Rim Stop Plate (Used for demountable application only; size, shape and location can vary.)
13. O-Ring Groove
14. Lock Ring Groove
15. Gutter portion of rim



Identification/Terminology

Multi-Piece Rims (5-Piece Type)

1. Rim Size (Bead Seat Dia.)
2. Rim Width
3. Rim Inside Dia.
4. Back Flange Portion of Rim Base
5. Center Band Portion of Rim Base
6. Gutter Band Portion of Rim Base
7. Rim Base (Entire Shaded Area)
8. Bead Seat Band (Removable, Gutter Side only)
9. Lock Ring
10. O-Ring
11. Flange, Inner (Removable)
12. Flange, Outer (Removable) *Note: Inner and Outer Flanges are identical
13. 28° Mounting Bevel (Utilized for demountable application only)
14. Valve Hole (Location, size and configuration can vary)
15. Rivet (Located on Back Flange Portion of Rim Base and Bead Seat Band flange mating surfaces)
16. O-Ring Groove
17. Lock Ring Groove (size and shape can vary depending on style of lock ring)
18. Pry Bar Pocket (continuous gap entire circumference on some rims)

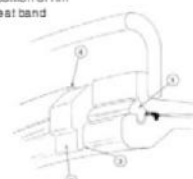


Identification/Terminology

Multi-Piece Rims (5-Piece Type)

Crimped on Style Driver

1. Lock Ring
2. Crimped on driver
3. Notch in gutter portion of rim
4. Notch in bead seat band



Loose Style Driver

1. Driver Pocket (Welded on gutter portion of rim base)
 2. Driver Pocket (Welded on bead seat band)
 3. Driver Key
- *Note: See page 6-24 for Driver Key Styles.

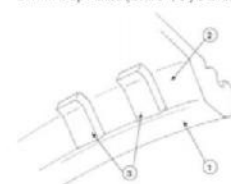


Valve Hole Styles



Demountable Type Rims

1. Gutter Portion of Rim Base
2. 28° Mounting Bevel
3. Rim Stop Plates (location, style and size can vary)

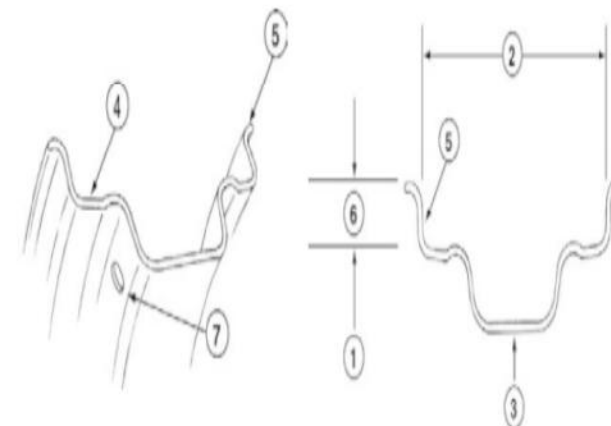


Wheel Information

Identification/Terminology

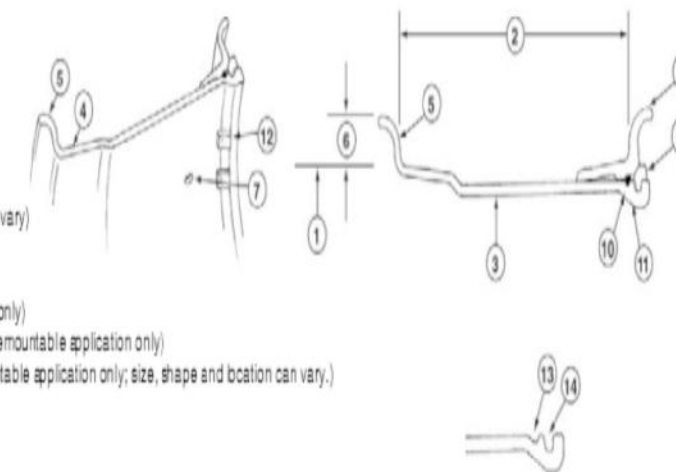
Single-Piece Rims

1. Rim Size (Nom. Bead Seat Dia.)
2. Rim Width
3. Rim Inside Dia.
4. Bead Seat Area
5. Flange
6. Flange Height
7. Valve Hole (Location and size can vary)



Multi-Piece Rims (3-Piece Type)

1. Rim Size (Nom. Bead Seat Dia.)
2. Rim Width
3. Rim Inside Dia.
4. Bead Seat Area
5. Flange-Fixed
6. Flange Height
7. Valve Hole (Location and size can vary)
8. Flange-Removable (Side Ring)
9. Lock Ring
10. O-Ring (For tubeless application only)
11. 28° Mounting Bevel (utilized for demountable application only)
12. Rim Stop Plate (Used for demountable application only; size, shape and location can vary.)
13. O-Ring Groove
14. Lock Ring Groove
15. Gutter portion of rim





GENERAL INFORMATION AND TECHNICAL EXPLANATION

Glossary and information

8.00x15.5 - Rim 8" wide and 15.5" in diameter

W12x2.4 - Rim without drop centre

DW20Ax34 - Rim with drop centre and a high rim flange (A).
The disc is welded into the drop centre.

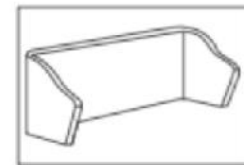
DW16Lx38 - Rim with drop centre and a low rim flange (L).
The disc is welded into the drop centre.

Valve protection

Valve guard is used when there is a risk that the valve will be damaged.



Valve guard, type **V1**. Normal area of application is on wheels intended for use in agriculture. V1 valve guard fits rims up to 26.5".



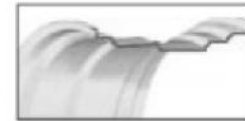
Valve guard, type **V2**. Fits wheels of 30" in diameter and upwards. Its normal area of application is on rims intended for use in agriculture. This type of valve guard is necessary if a S&S dual-mounting is being used.



Valve guard, type **V3**. To be used when there is a greater possibility of impact. This style of valve guard fits all forestry and agricultural wheels. Its normal area of application is on forestry and construction equipment.

Reinforcement

Big machines in heavy duty applications frequently face great stress. To handle this you reinforce the flange. The reinforcements also protect against direct impacts on the edge of the wheel.



Rim (R0)
R0 means that this rim has no reinforcement.



19 inches reinforcement (R1)
This protects the rim edge against impact and damage, and makes it possible for the rim to carry a larger load.



Box reinforcement (R2)
Protects against impact. In addition, the inside of the rim has a design that prevents dirt and mud from collecting and sticking. This reinforcement produces an extremely strong rim - suitable for the toughest jobs.



Flat bar reinforcement (R3)
Protects the edge from impact and damage, this reinforcement can be used in several tough conditions.

Knurling

The grooved section of the rim where the tire bead rests on a 5° and 15° rim. The purpose of knurling is to counteract the tendency for the tire to slip on the rim.



Hump

An extra bend just inside the bead seat. The hump facilitates driving at low air pressure, holding the tire in place.



SAFETY & MOUNTING RECOMMENDATIONS

It is important to handle wheels with maximum care, and pay special attention to its safe usage, mounting, demounting and service. Users have to follow all conditions and norms according to industry, national and international regulations. As J&G we will try to point out just those which we consider as the most common and important.

Before servicing, disc wheels have to be checked for following possible damages:

1. Cracks on the disc and/or rim
2. Asymmetric shape of disc contact surface
3. Deformed (damage, burr, excessive corrosion etc) stud holes
4. Deformed (damage, burr, excessive corrosion etc) flange
5. Excessive corrosion
6. Excessive wear
7. Damaged rings of multi-piece wheels.

Using wheels/components under these conditions is strictly forbidden. Damaged parts should be replaced.

While mounting the wheel on a hub you have to ensure that all surfaces are clean, free from rust and deposits. Elements of different mounting types should not be confused, since this may result in loss of torque, disc surface cracks, bolts and studs damage, and loss of wheel. Applied torque level should correspond to instructions of vehicle manufacture. Nuts installation has to be done crosswise, with gradual increase of torque level. Tightening of nuts on the wheel has to be checked 100km after first installation and regularly during usage.

Mounting and demounting of tire on the wheels has to be done by qualified personnel in well-equipped service points, according to specifications and procedures stipulated by ETRTO, TRA and other industry, national and international regulations. You have to ensure that all surfaces are clean, free from rust and deposits. It is crucial to match properly wheel and tire sizes according to above mentioned standards and recommendations of the vehicle manufacturer. Mismatch can result in serious damages and injuries. Diameter shown on the tire should exactly match the diameter stamped on the rim/wheel. Tires must be completely deflated before demounting wheel, or components of the wheel from the vehicle. Avoid standing in front of multi-piece wheels during assembly: damaged components might spring off.

Mixing components of various manufactures may result in fatal injuries, therefore only matching parts of one manufacture and one wheel system can be assembled.

Repair or of steel wheels is strictly prohibited.

Especially dangerous is:

1. Welding of rims or wheels
2. Repair of damaged stud holes
3. Repair of deformed center hole
4. Straightening of disc contact surface
5. Straightening of rim flanges

WARRANTY POLICY

▲ J&G warranties that delivered goods are free from defects in materials and workmanship and are produced according to provided technical documentation.

▲ The buyer should examine goods immediately upon receipt and advise Seller, in writing of any discrepancy in terms of numbers or quality. Failure to advise Seller within 10 days would presume goods to be acceptable.

▲ Normal wear is not covered under warranty. The warranty also does not cover damage resulting from improper handling of products, for example overloading above the capacities specified or violating standards stipulated by ETRTO (European Tyre and Rim Technical Organization) and TRA (Tire & Rim Association) or using tires which do not correspond to both standards.

▲ J&G has no obligation under warranty for goods if they were modified, or processed (including welding of disc to rim, drilling of stud holes, mechanical processing of surface, etc.). Repair of steel wheels and their components is strictly prohibited.

▲ J&G has no obligation under warranty for goods if spare parts produced by other manufacturers are used with them.

▲ The onus for submitting a claim together with corroborative evidence is the sole responsibility of the Buyer. This includes: proving presence of defect itself on exact J&G products, the fact that defect appeared within warranty period of exact products, the fact that notification of defect was sent on time. Under request of J&G, the Buyer should be able provide proves that products was working according to conditions recommended by ETRTO, TRA and/or J&G.

▲ J&G warranties that proven defects will be corrected either through replacement of goods or through compensation of their EXW price at the moment of initial delivery of goods.

▲ The Buyer is obligated to store in good conditions all claimed wheels and to provide samples of defective wheels or wheels which are deemed to be claimed by the Buyer upon request from J&G.