



Qingdao J&G International Trading Co., Ltd

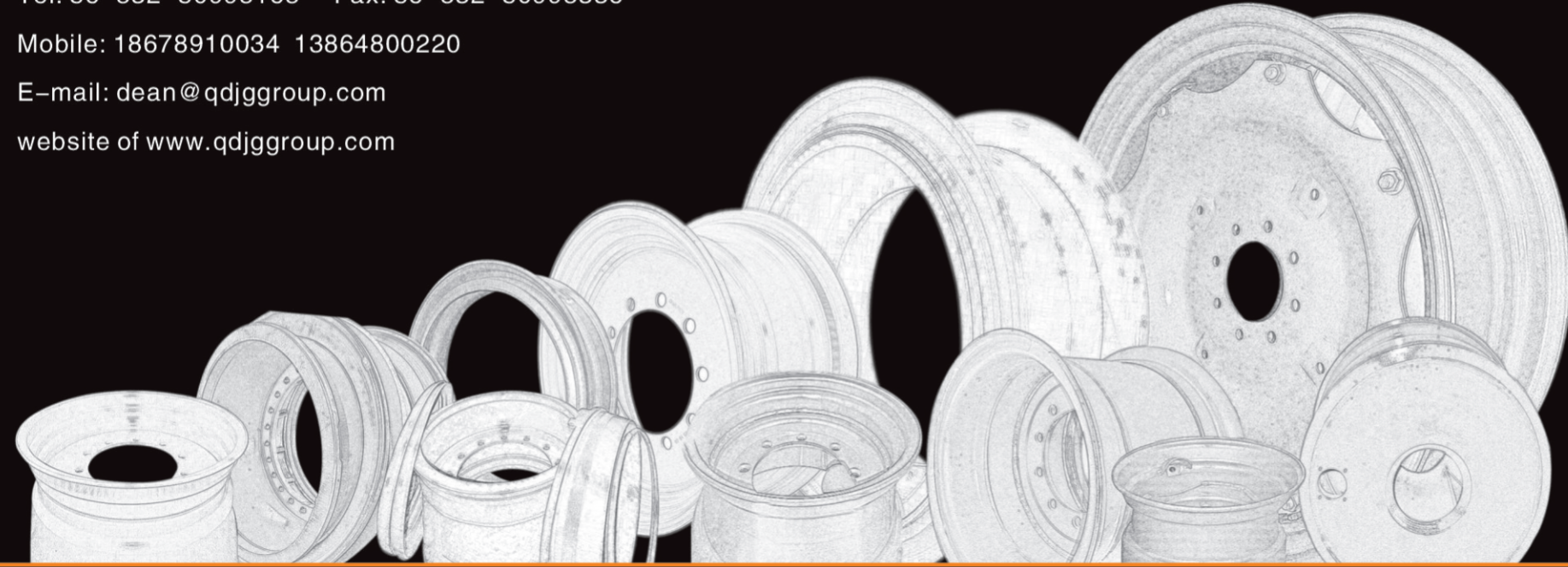
Room 3-B-1004, Hisense Powerise Valley, No. 20, Zhuzhou road, Qingdao, China. 266100.

Tel: 86-532-80995165 Fax: 86-532-80995336

Mobile: 18678910034 13864800220

E-mail: dean@qdjggroup.com

website of www.qdjggroup.com



distributor



Wheels & Rims

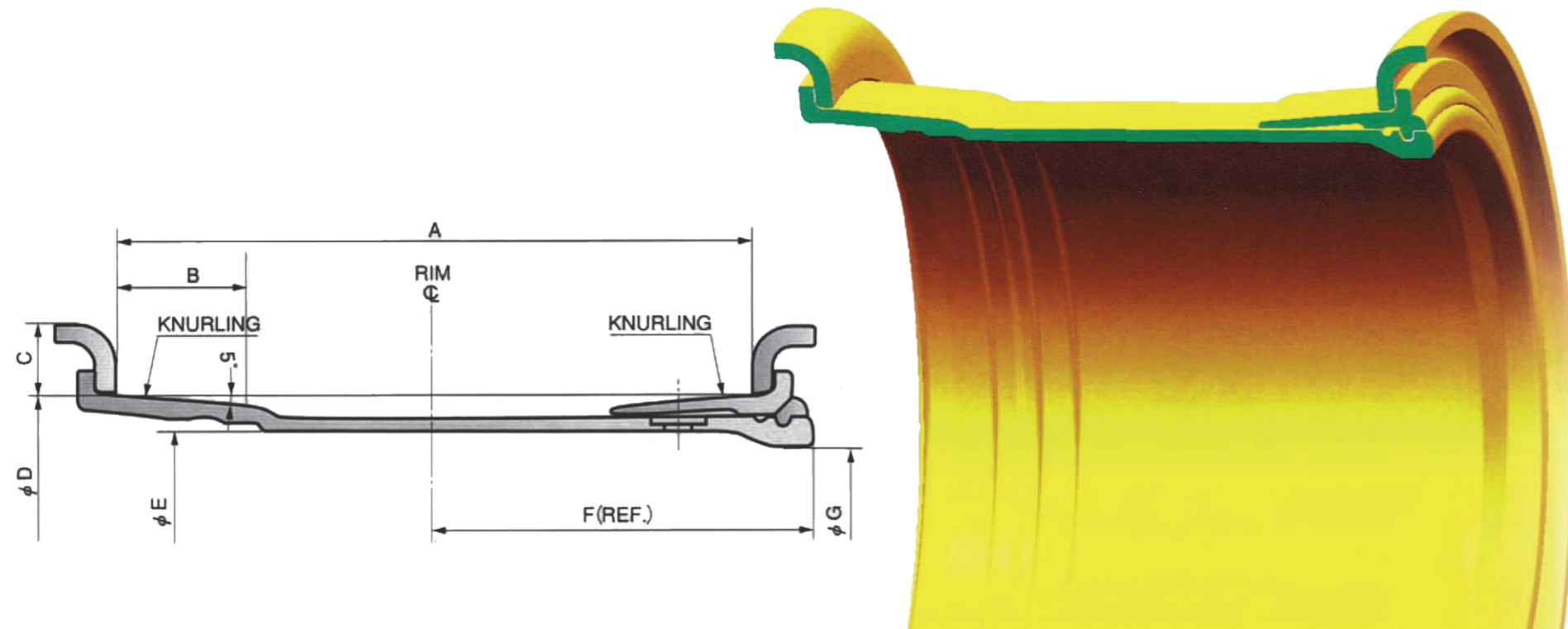
(2016 Version)

- Multi-piece OTR wheels and components
- Agricultural farm wheels
- Commercial truck/bus and trailer wheels
- Industrial and forklift wheels
- Forged alloy truck wheels
- Small Trailer wheels
- Special applications wheels

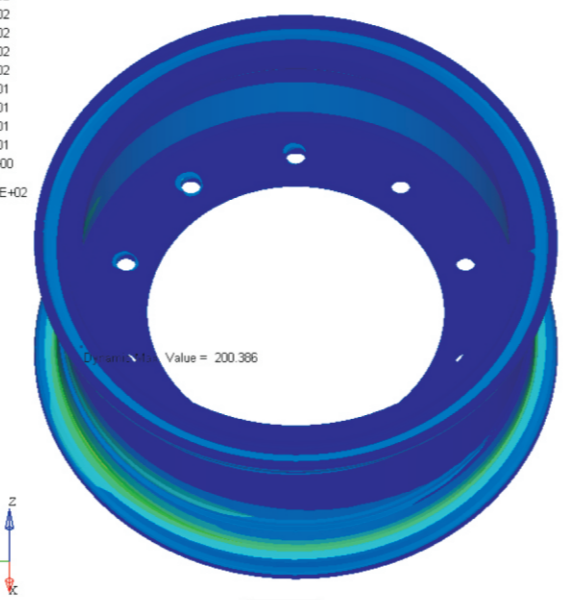




SUPPLY TO GLOBAL MOST RESPECTED "OE" MANUFACTURES

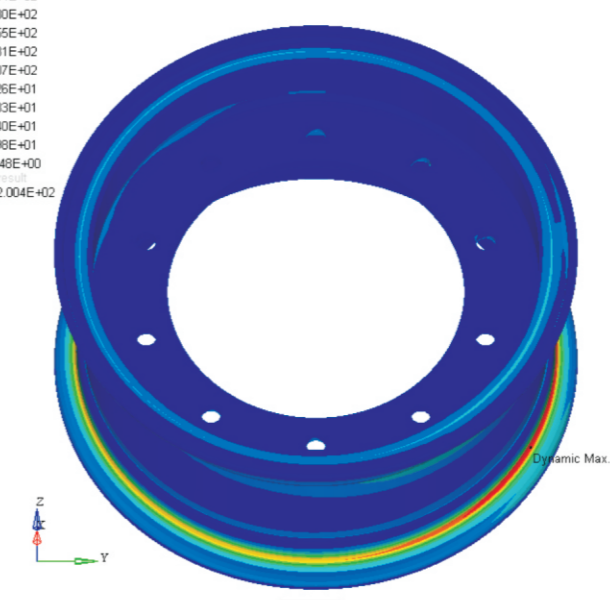


Principal Stress/MPa
 -2.004E+02
 -1.780E+02
 -1.555E+02
 -1.331E+02
 -1.107E+02
 -8.826E+01
 -6.683E+01
 -4.340E+01
 -2.098E+01
 -1.448E+00
 No result
 Max = 2.004E+02



Frontal view

Frame 6 Principal Stress/MPa
 -2.004E+02
 -1.780E+02
 -1.555E+02
 -1.331E+02
 -1.107E+02
 -8.826E+01
 -6.683E+01
 -4.340E+01
 -2.098E+01
 -1.448E+00
 No result
 Max = 2.004E+02



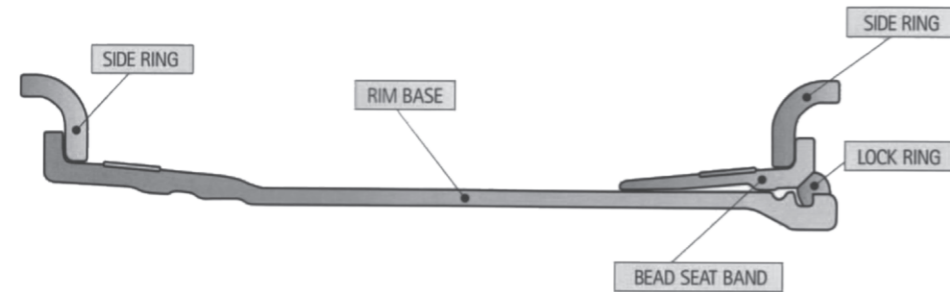
Rear view



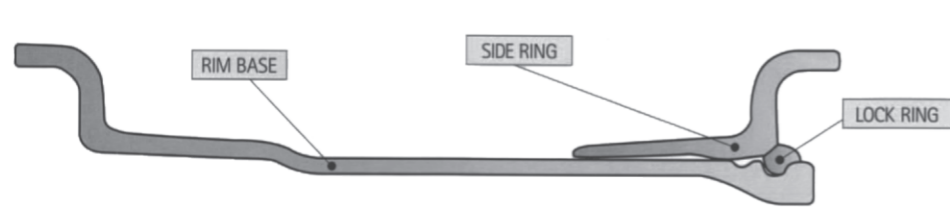
2. RIM structure

Topy has various RIMS available which have different RIM structure for best match with a variety of vehicles.

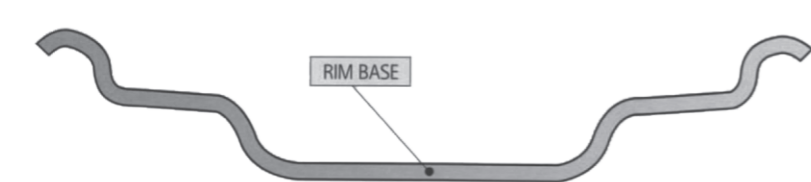
1) 5 piece RIM
Consists of a rim base, a lock ring, two side rings/flanges and a bead seat band



2) 3 piece RIM
Consists of a rim base, a lock ring and a side ring

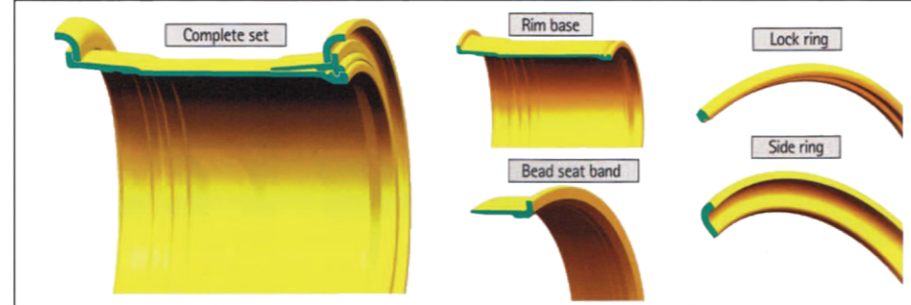


3) 1 piece RIM
Consists of one piece rim base only

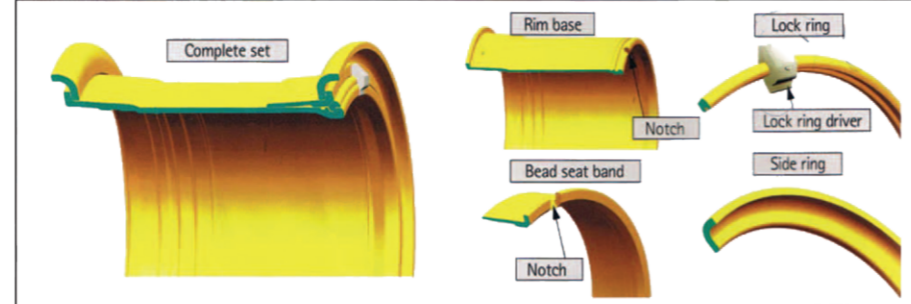


RIMS are generally classified into three different types of rim specification in order to AVOID rim component INDEXING.

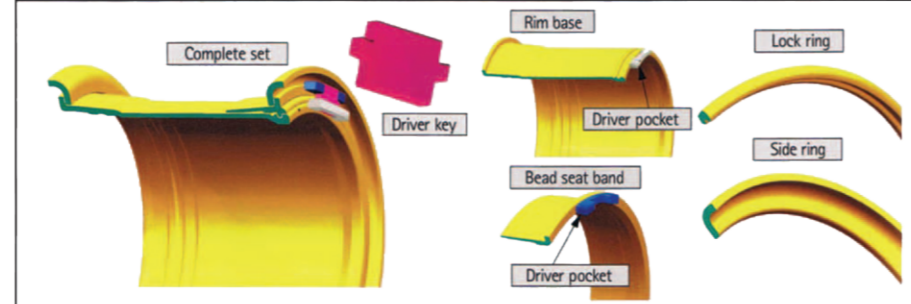
1. Standard specification



2. Lock ring driver specification



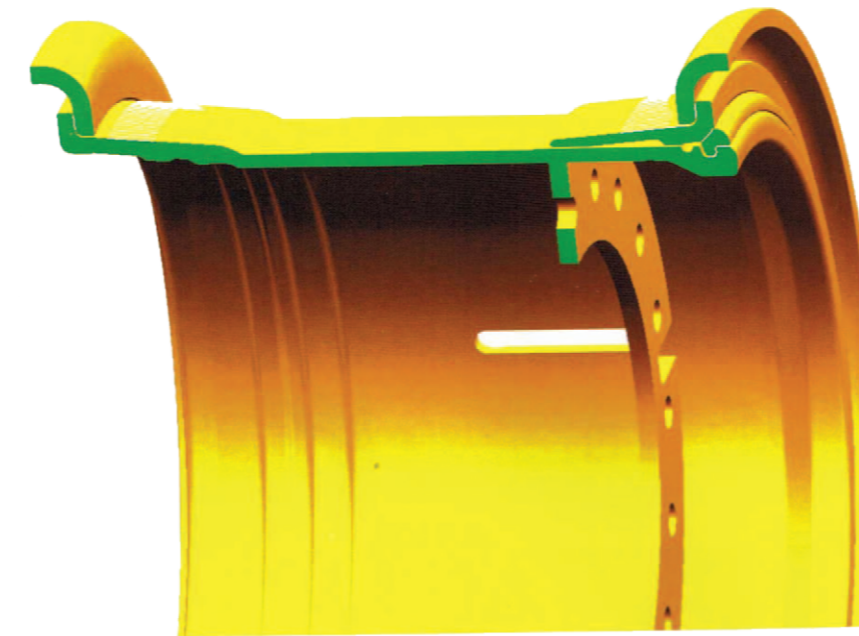
3. Driver pocket specification



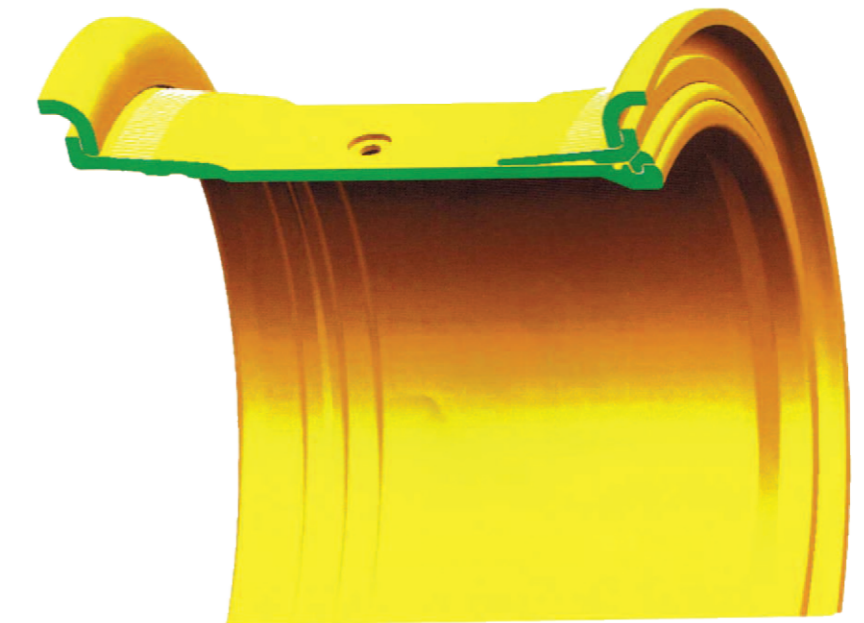
1. Non-demountable RIM and demountable RIM

In general classification, there are two type RIMS which is fitted with mounting center disc or which is not fitted with mounting center disc to suit each equipent application. When a RIM is required, please confirm first whether or not the RIM is fitted with the mounting center disc to suit the vehicle.

1) RIM fitted with center disc (Non-demountable RIM)

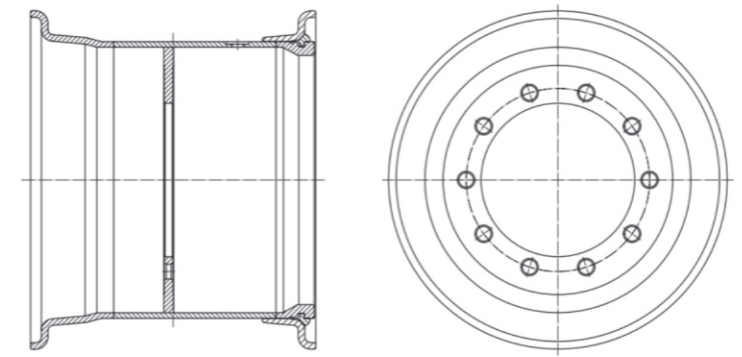


2) RIM not fitted with center disc (Demountable RIM)





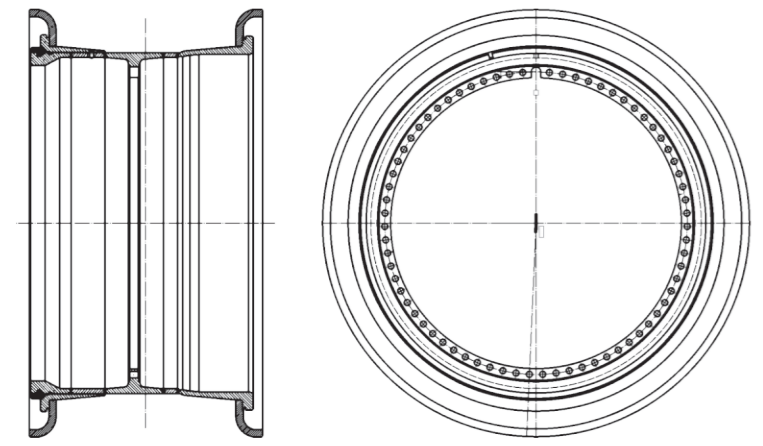
Earthmover/Construction/Off the Road equipment Series(Large Dump Trucks, Graders & Wheel Loaders, Dozers, Trucks & Load Haul Dumps, Tire Rollers & Finishers)



- ▶▶ 15"
- ▶▶ 16"
- ▶▶ 16.5"
- ▶▶ 17.5"
- ▶▶ 18"
- ▶▶ 20"

Dia.	Rim Size	Fitted tyre	Stud Holes		PC Dia.	Center Hole Dia.	Offset/ET.	Thickness		Model No.	
			No.	Dia.				Rim	Disc		
15"	15-6.50/1.5	8.25-15	6	17.5	305	275	8.4		16	803401786	
	15-6.50/1.5	8.25-15	6	32.5	250	200	72		12	803401788	
	15-9.75/1.37	12.00-15	10	27	335	281	0		12	803401001	
	15-11.50/1.5	14.50-15	30	16	295	264	147		14	803401002	
	15-11.50/1.5	14.50-15	30	16	295	264	140.5		14	803401003	
	15-11.50/1.5	14.50-15	16	16	288	235	152.5		28	803401004	
16"	15-11.50/1.5	14.50-15	14	31.5	304.8	241.3	-51		14	803401005	
	15-11.50/1.5	14.50-15	38	16	288	235	152.5		28	803401006	
	16-8.00/0.83	11L-16	8	20	203.2	152.5	50		10	803401007	
	16-8.00/0.83	11L-16	8	17	203.2	152.5	42		15	803401008	
	16.5-8.25/0.5	10-16.5	8	20	275	221	35		10	803401009	
	16.5-9.75/0.5	12-16.5NHS	8	20	275	221	35		10	803401010	
	16.5-9.75/0.5	12-16.5NHS	8	20	275	221	30		10	803401011	
	16.5-9.75/0.5	12-16.5NHS	8	18	200	150	45.5		12	803401012	
	16.5-9.75/0.5	12-16.5	8	22	275	221	20		10	803401013	
	16.5-9.75/0.5	12-16.5	8	22	275	221	-20		10	803401014	
	16.5-9.75/0.5	12-16.5	8	22	275	221	0		10	803401015	
	16.5-9.75/0.5	12-16.5	8	20	275	221	10		10	803401016	
16.5"	16.5-9.75/0.5	12-16.5NHS	8	22	200	150	45.5		10	803401017	
	16.5-9.75/0.5	12-16.5	8	20	275	221.5	35		10	803401018	
	16.5-9.75/0.5	12-16.5	6	18	152	112	65		10	803401019	
	16.5-9.75/0.7	12-16.5	8	19	275	22.5	-80		11	803401020	
	17.5"	17.5-10.50/0.5	14-17.5NHS	8	20	275	221	82		12	803401021
	18"	18-9.00/1.0	12.5/80-18	8	20	275	221	82		12	803401022
		18-9.00/1.0	12.5/80-18	8	16.5	203.2	152.5	-40		12	803401023
		18-9.00/1.0	12.5/80-18	8	20	275	222	35		10	803401024
	20"	20-7.00T	9.00-20	10	26	335	281	0		10	803401025
		20-7.50/1.7	10.00-20	10	27	335	281	151		14	803401026
20-7.5/1.7		10.00-20	10	26	335	281	163		16	803401027	
20-7.5/1.7		TUBELEE	10	26	335	281	163		16	803401028	
20-7.50/1.7		10.00-20	10	26	335	281	-165		16	803401029	
20-8.0/1.7		11.00-20	10	27	335	281	-176		16	803401030	
20-8.0/1.7		11.00-20			WITHOUT DISC	A=28, C=483				803401031	
20-8.0/2.0		12.00-20	10	27	335	281	-165		16	803401032	
20-8.5/1.7		12.00-20	8	18	320	280	-32.5		18	803401033	
20-8.5/1.7		DOUBLE		18	350	320	0		19	803401034	
20-8.5/1.7		DOUBLE		M16-7H	280	240	-30		19	803401035	
20-8.5/1.7		12.00-20	10	26	335	320	-32.5		16	803401036	
20-8.5/1.7		12.00-20	20	18	350	280	-32.5		18	803401037	
20-8.5/1.7		12.00-20	12	M16-7H	280	240	-32.5		18	803401038	
20-8.5/1.7	12.00-20	10	26	335	281	170		16	803401039		
20-8.5/1.7	TUBELEE	10	26	335	281	170		16	803401040		
20-8.5/1.7	12.00-20	10	26	335	281	160		18	803401041		
20-8.5/1.7	12.00-20	10	23	335	281	87		16	803401042		
20-8.5/1.7	12.00R20	10	23	335	281	176		16	803401043		
20-8.5/1.7	12.00R20	10	20.5	511.2	460	198		16	803401044		

Earthmover/Construction/Off the Road equipment Series(Large Dump Trucks, Graders & Wheel Loaders, Dozers, Trucks & Load Haul Dumps, Tire Rollers & Finishers)

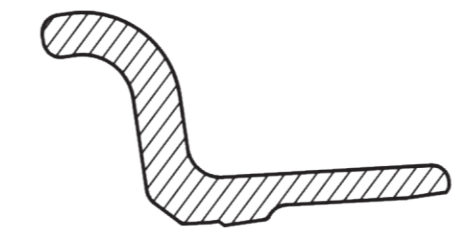


Dia.	Rim Size	Fitted tyre	Stud Holes		PC Dia.	Center Hole Dia.	Offset/ET.	Thickness		Model No.
			No.	Dia.				Rim	Disc	
51"	51-22.00/3.0	SOLID TYRE	36	20.6	597.66	558.2	0		35	803401762
	51-24.00/5.0	33.00R51	45	27	1123	1074	338		38	803401763
	51-24.00/5.0	33.00R51			WITHOUT	DISC				803401764
57"	51-28.00/4.5	SOLID TYRE	38	26	693	617	405		40	803401765
	57-27.00/6.0	37.00R57			WITHOUT	DISC				803401766
	57-29.00/6.0	40.00R57, 37.00R57			WITHOUT	DISC				803401767
	57-29.00/6.0	40.00R57, 46/90R57	WITHOUT		DISC A=58.53B=1301C=1365					803401768
	57-29.00/6.0	40.00R57, 46/90R57	38	26	693	617	27.8		38	803401769
	57-29.00/6.0	37.00R57	38	26	693	617	37.9		38	803401770
	57-29.00/6.0	40.00R57, 46/90R57	53	27.5	1123	1073.5	396		38	803401771
	57-32.00/6.0	46/90R57								803401772
	57-32.00/6.5	50/90R57								803401773
	57-34.00/5.0	50/80-57								803401774
	57-36.00/6.0	50/80-57								803401775
	57-44.00/6.0	49.5-57, 50/80-57								803401776
	57-47.00/6.0	58/85R57								803401777
	57-47.00/6.0	60/80R57								803401778
63"	63-36.00/5.0	53/80R63	WITHOUT		DISC A=88,B=1430.4,C=1498.6					803401779
	63-38.00/5.0	53/80R63								803401780
	63-41.00/5.0	55/80R63	54	39	1376	1310	657		62	803401781
	63-44.00/5.0	58/80R63	54	39	1376	1310	657		62	803401782

51"
57"
63"

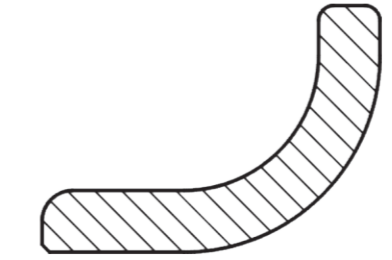
Wheel & Rim Components

Side Ring

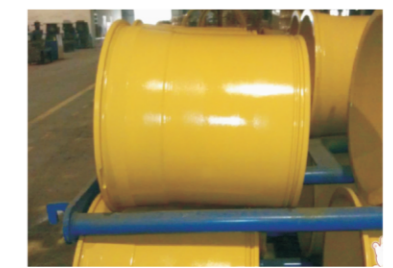
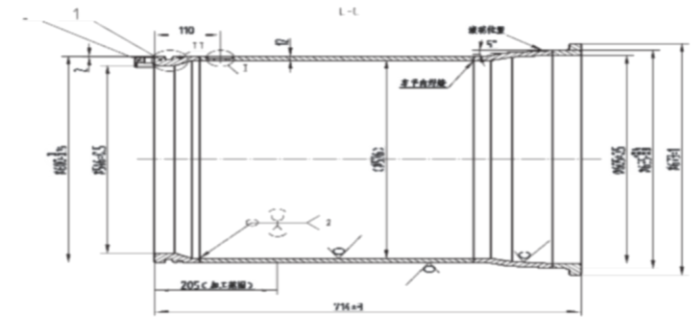


Flanges (Side Ring) - 3PC

Rim Diam	Flange Size	PART NO.
24"	F24"/1.4	F8024
	F24"/1.7	F1024
25"	F25"/1.5	F8525
	F25"/1.5	F1025
	F25"/1.3	F1225
	F25"/1.7	F2517



Rim Base



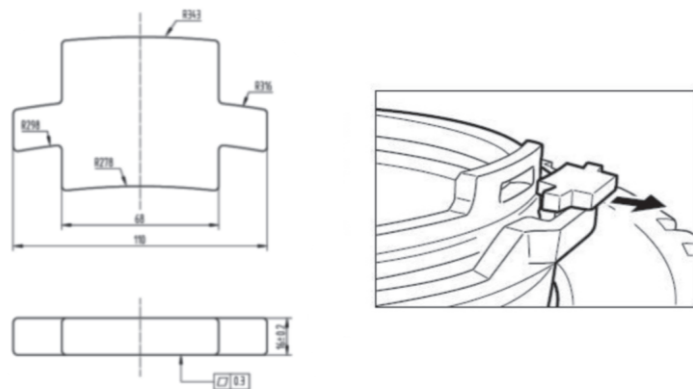
Flanges (Side Ring) - 5PC

Rim Diam	Side Ring Size	PART NO.
25"	S25"/1.5	S1525
	S25"/2.0	S2025
	S25"/2.5	S2525
	S25"/3.0	S3025
29"	S25"/3.5	S3525
	S29"/3.0	S3029
33"	S29"/3.5	S3529
	S33"/2.5	S2533
	S33"/3.5	S3533
35"	S33"/4.0	S4033
	S33"/4.5	S4533
	S35"/3.0	S3035
39"	S35"/3.5	S3535
	S35"/4.0	S4035
45"	S39"/4.0	S4039
	S39"/4.5	S4539
49"	S45"/4.5	S4545
	S49"/3.5	S3549
51"	S49"/4.0	S4049
	S51"/4.5	S4551
	S51"/5.0	S5051
57"	S57"/5.0	S5057
	S57"/6.0	S6057
	S57"/6.5	S6557
63"	S63"/5.0	S5063

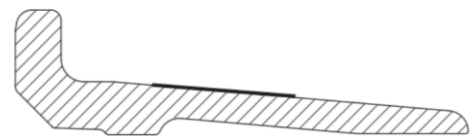




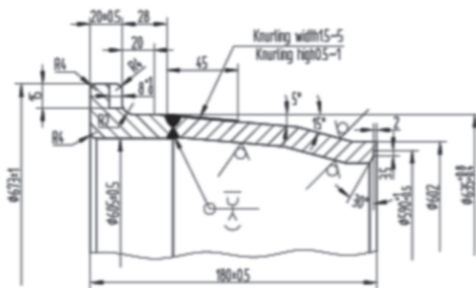
Drive Key



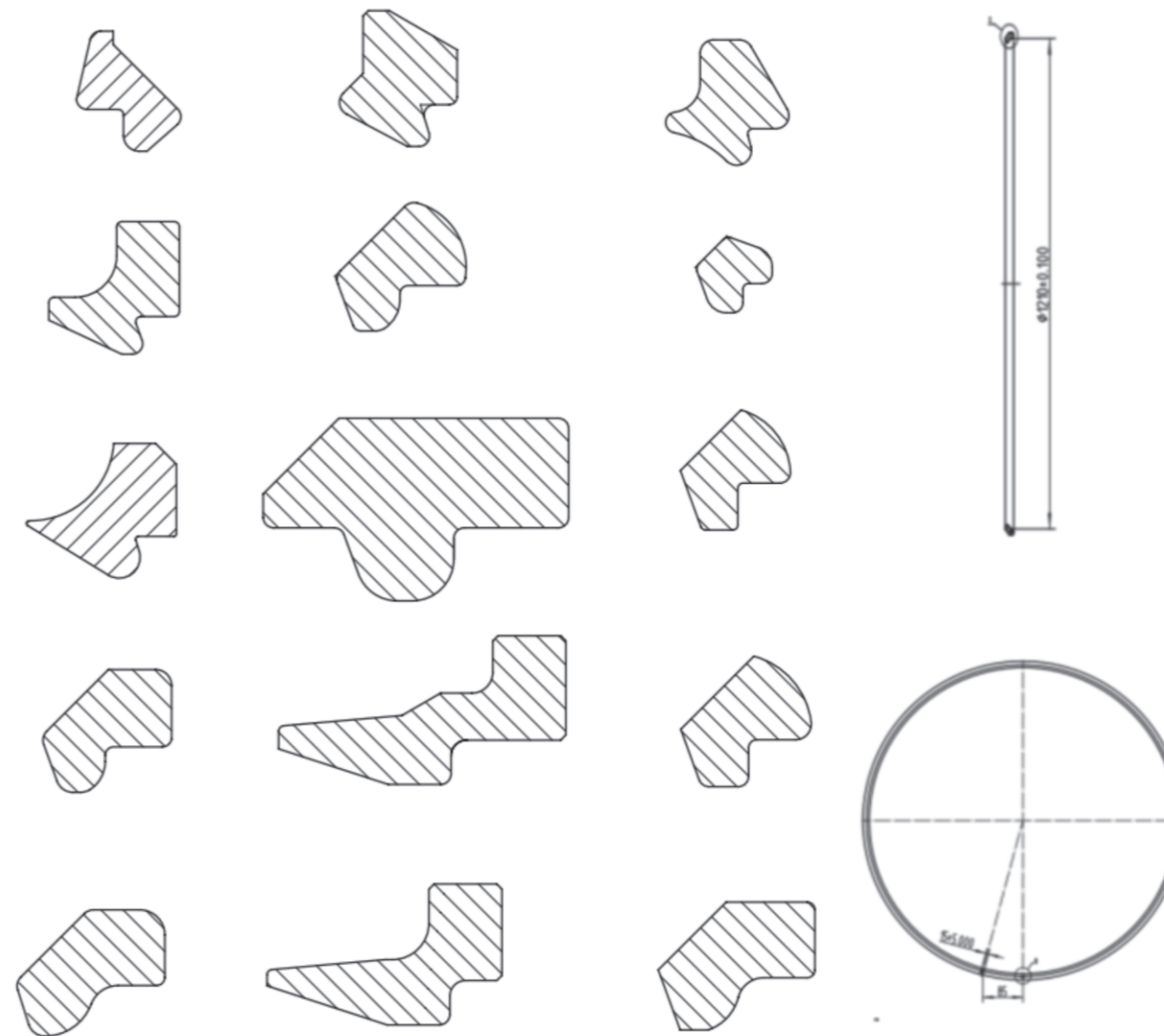
Bead Seat Band



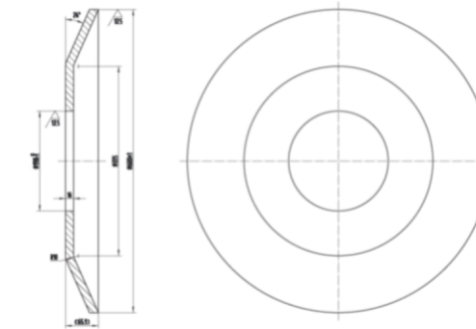
Back Section



Lock Ring

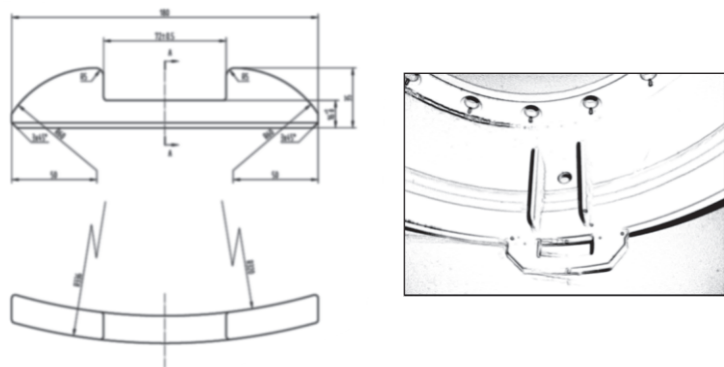


Disc

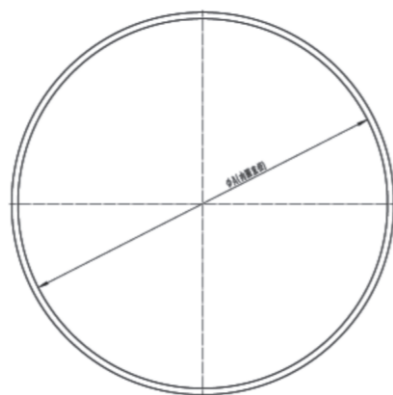


Pressed disc

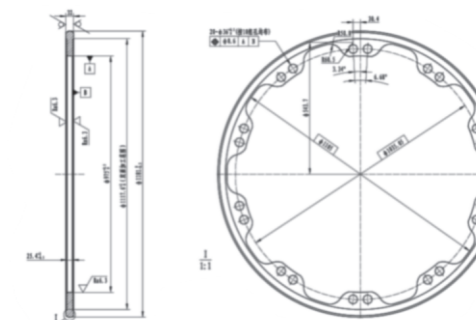
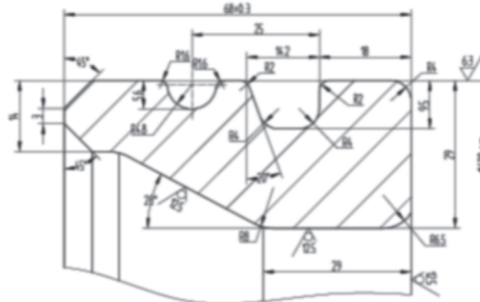
Bead Seat Band Driver Pocket



O-Ring



Gutter Section

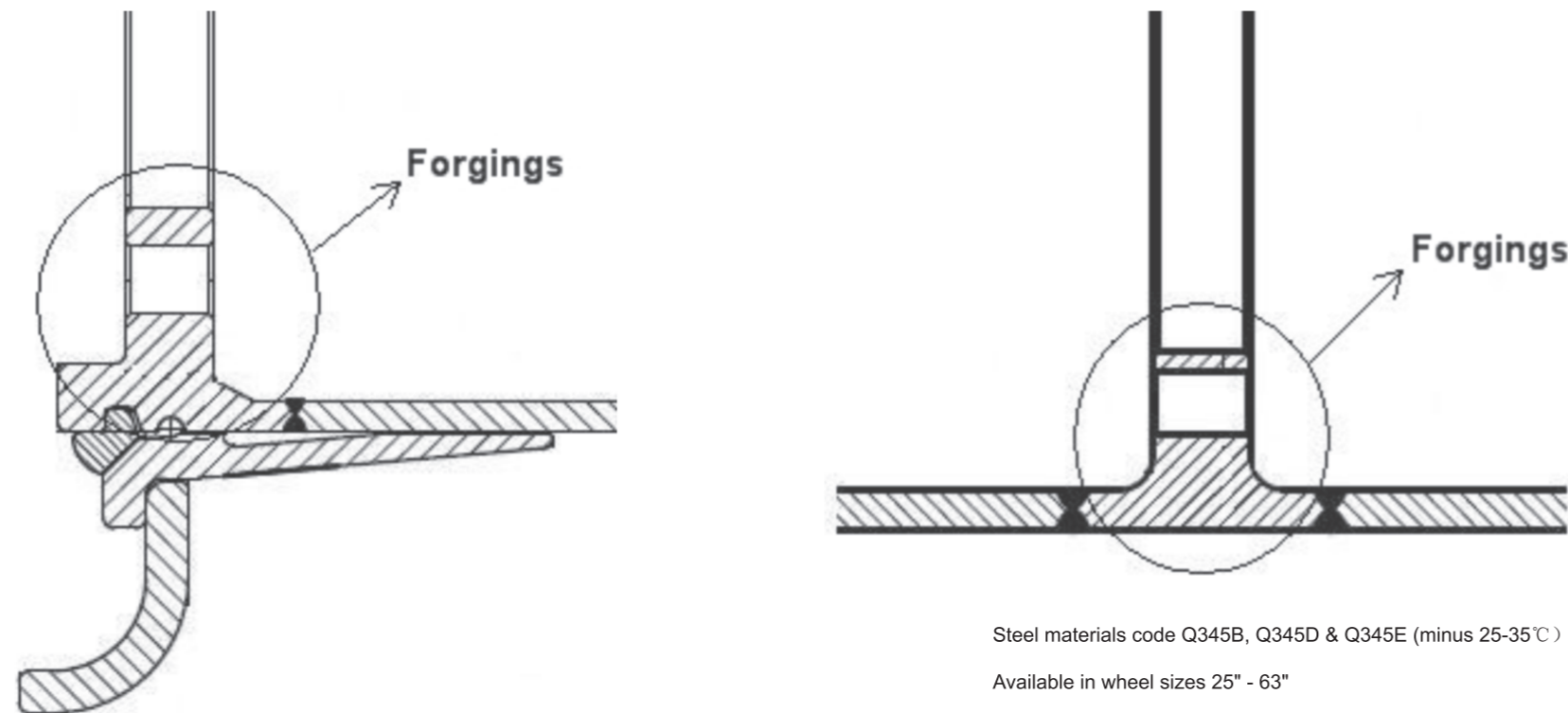


Flap disc



NEW TECHNICAL DESIGN

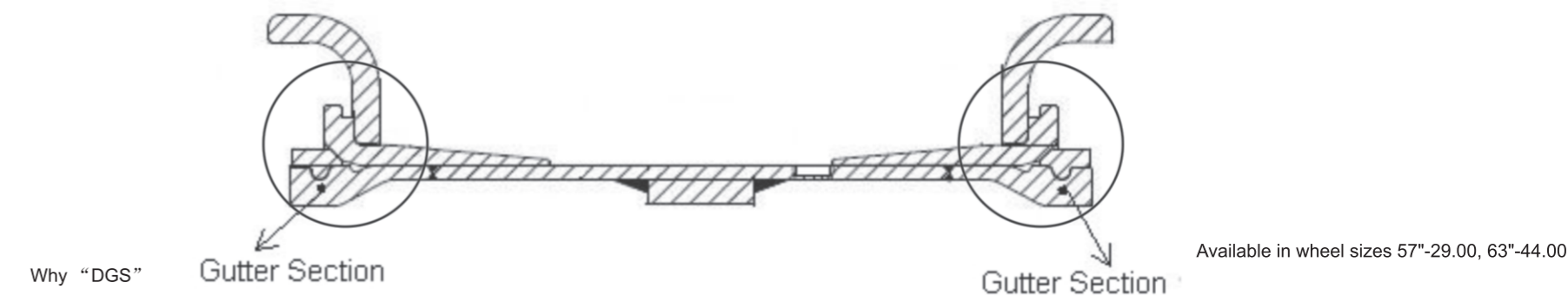
1. Forging)



Why "Forgings"

- 1) The forging process produces directional alignment (grain flow) which is an important component in obtaining optimum strength properties in the metal.
 - 2) Through proper grain flow orientation; the forging process can develop the maximum impact strength and fatigue resistance possible in a metal.
 - 3) A forging's structural reliability is exceptional compared to other metalworking processes. There are no butt welds, the sections are stressed relieved and we are able to use higher quality steel than with the cold rolling process.
- Forging is not the least expensive method but it produces the highest quality product available and is by far superior to any other method of wheel manufacturing.

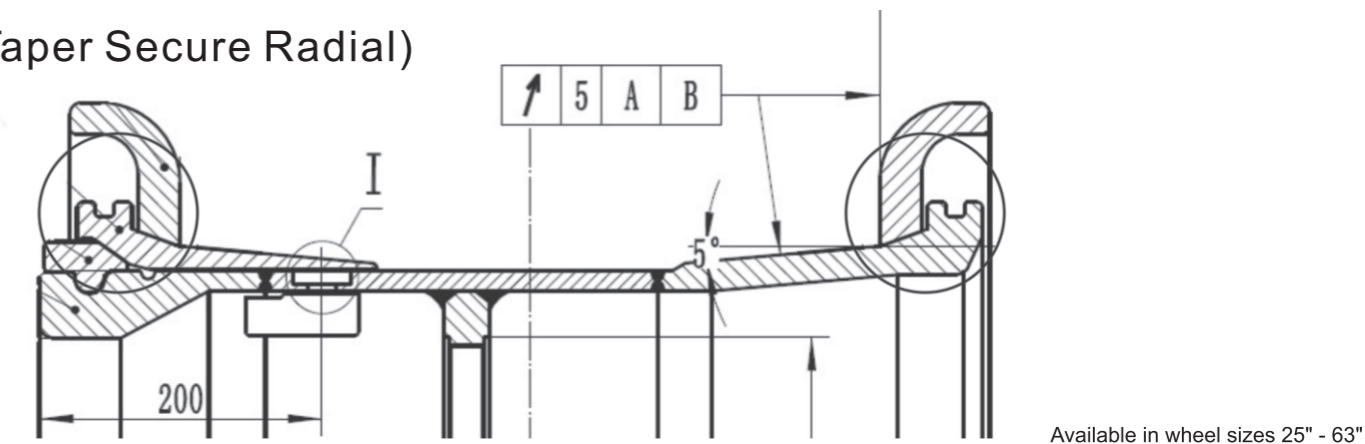
2. DGS type (Double Gutter Section)



Why "DGS"

- 1) Reduce the risk of injury to tireman- innovative design allows safer and easier tire changes.
- 2) Increase availability & profitability- tire changes to be completed in a fraction of the time, as the outer dual wheel is never removed from the truck, keeping the vehicle in operation longer.
- 3) Eliminate the use of impact wrenches - no torquing and re-torquing required and less chance of wheels running loose.
- 4) Easier component assembly and removal - unique two-piece lock ring makes tire wheel/rim assembly & disassembly easier.

3. TSR type (Taper Secure Radial)

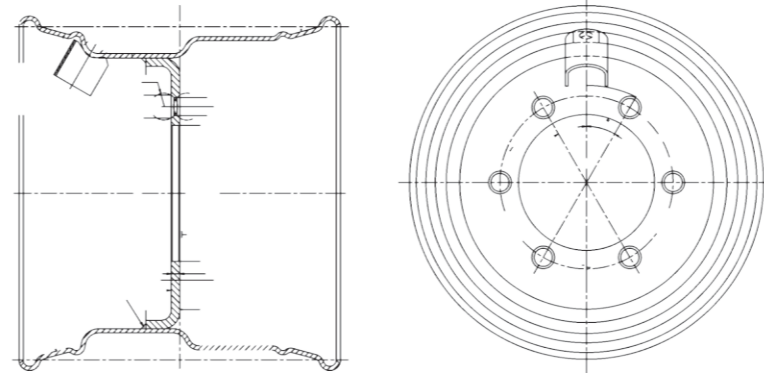
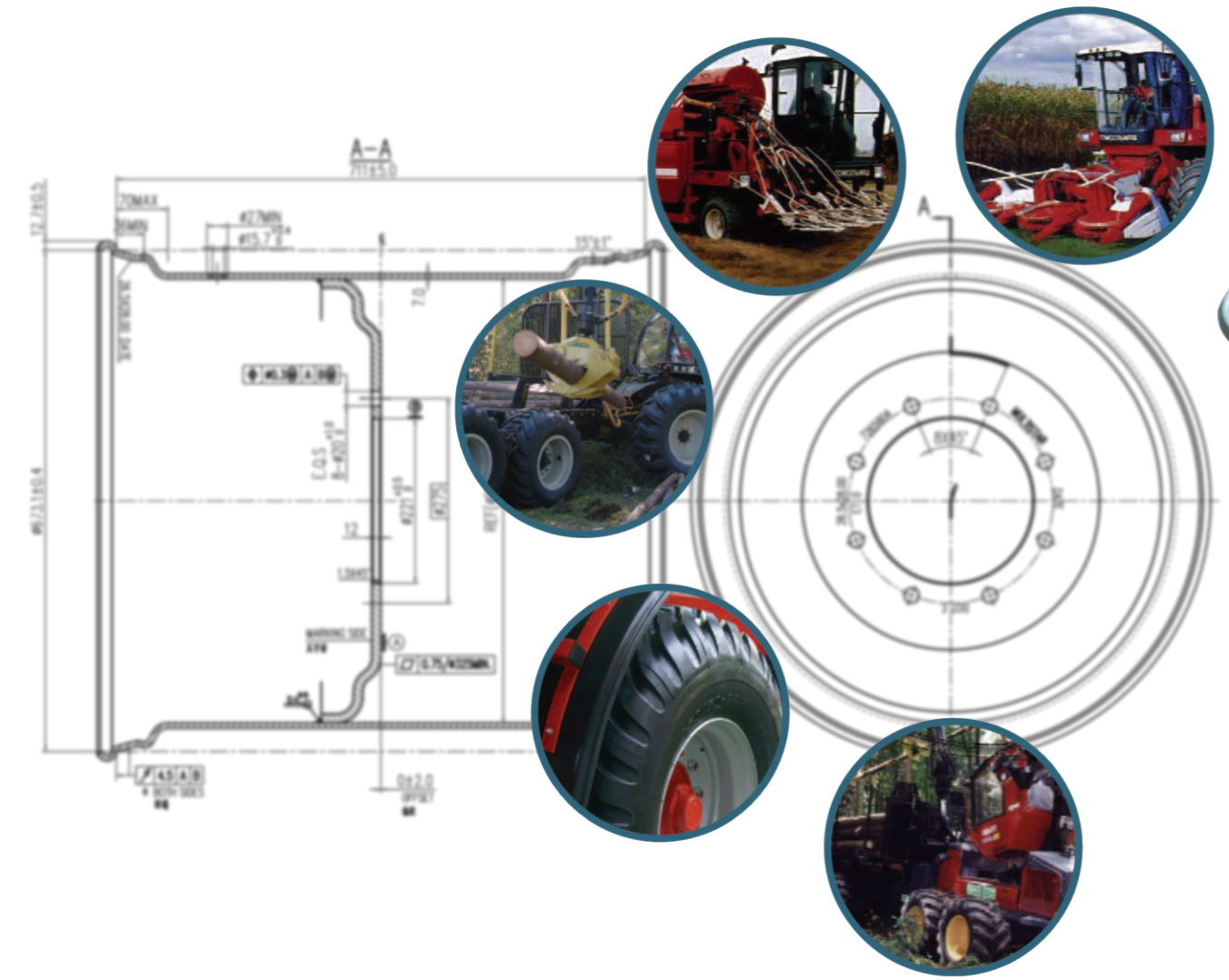


Why "TSR"

- 1) The tapered design and increased material in critical mass areas eliminates component movement and flexing.
- 2) The close machining tolerances and the 100% roundness of the machined taper design virtually eliminates beadseat band and lock ring damages that are common with standard designs.
- 3) The fully machined bead seating areas of the rim makes the mounting and demounting of tires easier and faster, reducing the truck's downtime.



■ With one-piece 5° /15° drop center rim (for agricultural heavy Trailers, liquid manure carts, forestry machines and multi-purpose vehicles)

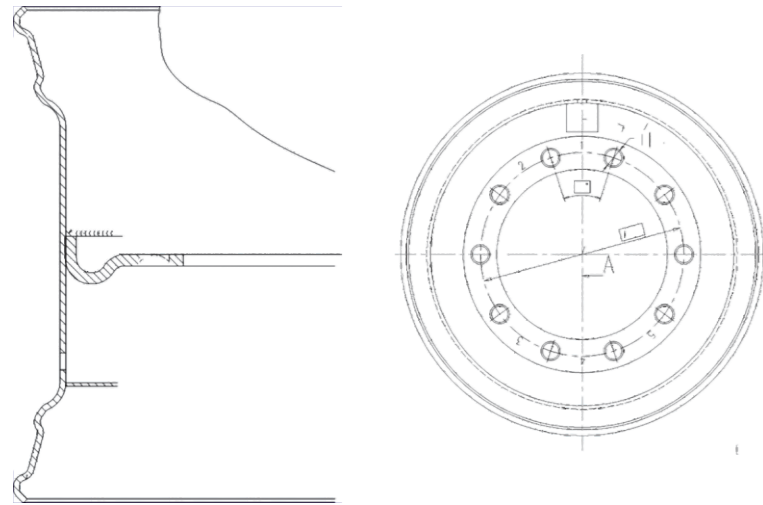


- ▶▶ 12"
- ▶▶ 13"
- ▶▶ 15"
- ▶▶ 15.3"
- ▶▶ 15.5"
- ▶▶ 16"

Dia.	Rim Size	Fitted tyre	Stud Holes		PC Dia.	Center Hole Dia.	Offset/ET.	Thickness		Model No.	
			No.	Dia.				Rim	Disc		
12"	5.00S-12	7.00-12	8	28	190	145	0	4	6	803402001	
	7.00-12	10.0/80-12	4	31	100	57	0	3	5	803402002	
	7.00-12	10.0/80-12	5	31	112	67	-50	3	5	803402003	
	8.50Lx12H2	23x10.5-12	5	13.5	100	60	-50	4	8	803490055	
	8.50Lx12H2	23x10.5-12	5	13.5	140	94	0	4	8	803490056	
	10.5Lx12H2	26x12.00-12	4	14.5	100	60	0	4	8	803490057	
13"	10.5Lx12H2	26x12.00-12	5	13.5	114.3	79.5	-22	4	8	803490058	
	10.5Lx12H2	26x12.00-12	5	16	112	67	0	4	8	803490059	
	10.5Lx12H2	26x12.00-12	5	13.5	140	94	0	4	8	803490060	
	10.5Lx12H2	26x12.00-12	6	21.5	205	161	0	4	8	803490061	
	13X4 1/2J	5.50-13	4	15	114.3	66.6	34	4	3	803402004	
	13X4J	5.50-13	5	15	139.7	110	34	3.5	4	803402005	
15"	13X4J	5.50-13	5	15	139.7	110	34	3	4	803402006	
	7.00T-15	28X9.00 -15 EM	6	32	200	150	77	10	12	803402007	
	7.00T-15	9.5L-15	5	21.5	225	180	-5	10	12	803402008	
	7.00T-15	9.5L-15	6	23	220	180	-20	10	12	803402009	
	7.00T-15	9.5L-15	8	26	210	165	0	10	12	803402010	
	7.00T-15	9.5L-15	6	32	220	170	0	10	12	803402011	
	7.00T-15	9.5L-15	8	26	190	145	0	10	12	803402012	
	8LBx15	10-15 11L-15	6	20.5	205	161	0	4	7	803402013	
	8LBx15	10-15 11L-15	6	16.5	175	115.5	0	4	6	803402014	
	8LBx15	10-15 11L-15	6	21.5	205	161	0	4	8	803402015	
	10LBx15	12.5L-15	6	20.5	205	161	0	4	8	803402016	
	15.3"	13x15	31x15.5-15	6	20.5	205	161	0	4	10	803402017
13LBx15		31x15.5-15	7	20.5	205	161	0	4	10	803402018	
9.00X15.3			5	18.5	140	94	0	4	8	803402019	
9.00X15.3			6	21.4	205	161	0	4	6	803402020	
9.00X15.3			6	21.4	205	161	0	4	8	803402021	
9.00X15.3		10.0/75-15.3 Impl.	6	21.4	205	161	0	4	10	803402022	
9.00X15.3		11.5/80-15.3 Impl.	6	20.5	205	161	-20	4	8	803402023	
9.00X15.3		12.5/80-15.3 Impl.	6	20.5	205	161	-50	4	8	803402024	
9.00X15.3			6	20.5	205	161	0	4	8	803402025	
9.00X15.3			6	20.5	205	161	0	4	10	803402026	
15.5"		15.5x13.00	400/65-15.5	6	21.5	205	161	0	5	10	803402027
		15.5x13.00	400/65-15.5	6	21.5	205	161	-15	5	10	803402028
	15.5x16.00	500/55-15.5	6	21.5	205	161	0	5	10	803402029	
	16"	6.00x16	9.00-16	6	32.5	222.25	164	128	5	9	803402030
6.00x16		9.00-16	5	29	203.2	146	128	5	9	803402031	
8LBx16		10.00-16 EM	6	21.5	205	161	-5	5	10	803402032	
8LBx16		10.5/65-16 Impl.	6	21.5	205	161	30	5	10	803402033	
8LBx16		10.5/65-16 Impl.	10	27	335	281	0	5	10	803402034	
8LBx16		10.5/65-16 Impl.	10	27	335	281	20	5	10	803402035	
10LBx16		12.5/60-16	6	21.5	205	161	30	5	10	803402036	
10LBx16		12.5/60-16	10	27	335	281	30	5	10	803402037	
11x16		13.0/55-16 Impl.	6	21.5	205	161	0	5	10	803402038	
11x16		13.0/75-16 Impl.	6	21.5	205	161	13	5	10	803402039	



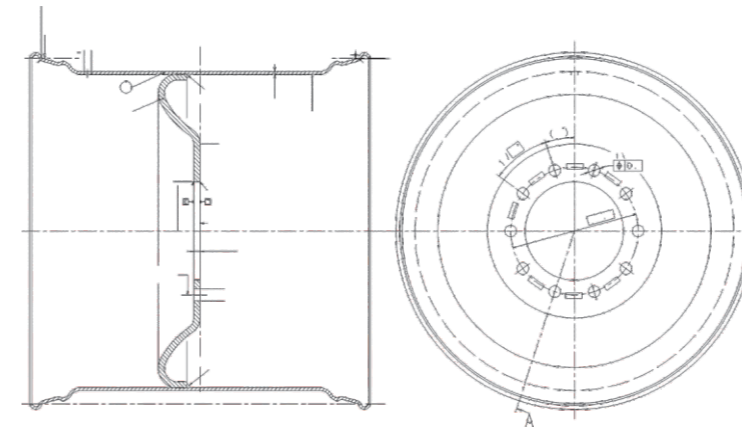
With one-piece 15° drop center rim (for agricultural heavy Trailers, liquid manure carts, forestry machines and multi-purpose vehicles)



Dia.	Rim Size	Fitted tyre	Stud Holes		PC Dia.	Center Hole Dia.	Offset/ET.	Thickness		Model No.
			No.	Dia.				Rim	Disc	
25"	12.00x25	15.5-25 EM	8		275	221	45			803402121
	12.00x25	15.5-25 EM	8		275	221	0			803402122
	12.00x25	15.5-25 EM	10		335	281	15			803402123
	12.00x25	15.5-25 EM	10		335	281	70			803402124
	14.00x25	17.5-25 EM	8		275	221	10			803402125
	14.00x25	17.5-25 EM	10		335	281	35			803402126
22.5"	14.00x25	17.5-25 EM	10		335	281	-55			803402127
	22.5x8.25	11R22.5	8	16.6	203.2	152.4	-38	6	12	803402128
	22.5x8.25	11R22.5	10	32	335	281	0	7	12	803402129
	22.5x9.00	12R22.5	6	21.5	205	161	7	0	12	803402130
	22.5x9.00	12R22.5	8	21.5	275	221	-10	7	11	803402131
	22.5x9.00	12R22.5	8	21.5	275	221	7	0	12	803402132
	22.5x9.00	12R22.5	10	26	335	281	0	7	14	803402133
	22.5 x 11.75	385/65R22.5	10	Φ27	Φ335	Φ281	0	7	12	803402134
	22.5 x 11.75	375/90R22.5	10	Φ27	Φ335	Φ281	201	7	14	803402135
	22.5 x 11.75	385/55R22.5	10	Φ27	Φ335	Φ281	120	7	14	803402136
	22.5 x 11.75	385/55R22.5	10	Φ26	Φ335	Φ281	0	7	12	803402137
	22.5 x 11.75	385/55R22.5	8	Φ16.5	Φ203.2	Φ152.5	22	7	12	803402138
	22.5 x 11.75	385/55R22.5	8	Φ32	Φ275	Φ214	2	7	16	803402139
	22.5x13.00	415/45R22.5	10	32	Φ335	Φ281.5	0	7	16	803402140
	22.5x13.00	415/45R22.5	8	22	Φ203.2	152.4	0	6	12	803402141
	22.5x13.00	415/45R22.5	10	20.6	285.75	220	0	6	12	803402142
	22.5 x 14.00	18R22.5	10	Φ27	Φ335	Φ281.5	75	7	16	803402143
	22.5 x 14.00	415/45R22.5	10	Φ26	Φ335	Φ281	20	7	16	803402144
	22.5 x 14.00	425/65R22.5	10	Φ32.5	Φ285.75	Φ221.5	117	7	16	803402145
	22.5 x 14.00	435/45R55.5	10	Φ27	Φ335	Φ281	175.5	7	16	803402146
	22.5 x 14.00	445/65R22.5	10	Φ35	Φ335	Φ272	72	7	16	803402147
	22.5 x 14.00	445/75R22.5	10	Φ27	Φ335	Φ281	18	7	16	803402148
	22.5 x 14.00	445/75R22.5	10	Φ32.5	Φ335	Φ281.5	74	7	14	803402149
	22.5 x 14.00	445/65R22.5	10	Φ32.5	Φ285.75	Φ221.5	60	7	16	803402150
	22.5 x 14.00	435/45R55.5	10	Φ27	Φ335	Φ281	133	7	16	803402151
	22.5 x 14.00	425/65R22.5	10	Φ35	Φ335	Φ272	85	7	16	803402152
	22.5 x 14.00	415/45R22.5	10	Φ30	Φ285.75	Φ217.5	85	7	16	803402153
	22.5 x 14.00	415/45R22.5	10	Φ27	Φ335	Φ281.5	86	7	16	803402154
	22.5 x 14.00	445/65R22.5	10	Φ27	Φ335	Φ281	0	7	16	803402155
	22.5 x 14.00	435/45R55.5	10	Φ27	Φ335	Φ281	-40	7	16	803402156
22.5x16.00	500/45-22.5	6		Φ205	Φ161	0	6	12	803402157	
22.5x16.00	500/60-22.5	8	Φ27	Φ275	Φ221	-30	6	12	803402158	
22.5x16.00	550/45-22.5	8	Φ27	Φ335	Φ281	0	6	12	803402159	
22.5x16.00	550/60-22.5	10	Φ27	Φ335	Φ281	-50	6	12	803402160	
22.5x16.00	550/60-22.5	10	Φ27	Φ335	Φ281	0	6	12	803402161	
22.5x20.00	600/55-22.5	8	Φ27	Φ275	Φ221	0	7	15	803402162	
22.5x20.00	650-50-22.5	8	Φ27	Φ275	Φ221	-50	7	15	803402163	
22.5x20.00	600/55-22.5	10	Φ27	Φ335	Φ281	-50	7	15	803402164	
22.5x20.00	600/55-22.5	10	Φ27	Φ335	Φ281	0	7	15	803402165	
22.5x24.00	700/40-22.5	8	Φ27	Φ275	Φ221	0	7	15	803402166	

25"
22.5"

With one-piece 15° drop center rim (for agricultural heavy Trailers, liquid manure carts, forestry machines and multi-purpose vehicles)

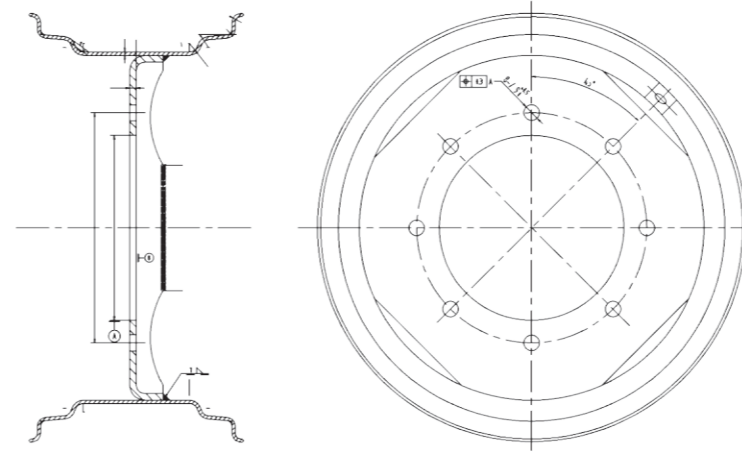


Dia.	Rim Size	Fitted tyre	Stud Holes		PC Dia.	Center Hole Dia.	Offset/ET.	Thickness		Model No.
			No.	Dia.				Rim	Disc	
22.5"	22.5x24.00	750/45-22.5	8	Φ27	Φ275	Φ221	-50	7	15	803402167
	22.5x24.00	750/45-22.5	10	Φ27	Φ335	Φ281	-50	7	15	803402168
	22.5x24.00	750/45-22.5	10	Φ27	Φ335	Φ281	0	7	15	803402169
26.5"	26.5x16.00	500/60-26.5	8	20	275	221	0	7	12	803402170
	26.5x20.00	600/55-26.5	8	27	Φ275	Φ221	0	7	15	803402171
	26.5x20.00	600/55-26.5	8	27	Φ275	Φ221	-50	7	15	803402172
	26.5x20.00	600/55-26.5	10	27	Φ225	Φ176	-50	7	15	803402173
	26.5x20.00	600/55-26.5	10	27	Φ225	Φ176	0	7	15	803402174
	26.5x24.00	700/50-26.5	8	27	Φ275	Φ221	0	7	15	803402175
	26.5x24.00	750/45-26.5	8	27	Φ275	Φ221	-50	7	15	803402176
	26.5x24.00	700/50-26.5	10	27	Φ335	Φ281	-82	7	15	803402177
	26.5x24.00	750/45-26.5	10	27	Φ335	Φ281	0	7	15	803402178
	26.5x28.00	800/45-26.5	8	20	275	221	0	7	12	803402179
30.5"	26.5x28.00	800/45-26.5	10	32	335	281	0	7	12	803402180
	30.5x20.00	600/60-30.5	8		Φ275	Φ221	0	7	12	803402181
	30.5x20.00	650/60-30.5	10		Φ335	Φ281	0	7	12	803402182
	30.5x24.00	700/50-30.5	8		Φ275	Φ221	0	7	12	803402183
	30.5x24.00	750/60-30.5	10		Φ335	Φ281	0	7	12	803402184
	30.5x28.00	800/45-30.5	10		Φ335	Φ281	0	7	12	803402185
	30.5x28.00	850/50-30.5	10		Φ335	Φ281	-50	7	12	803402186

22.5"
26.5"
30.5"



■ With one-piece 5° WDC/DW Series Wheels (for tractors, combines, construction machines and telehandlers)

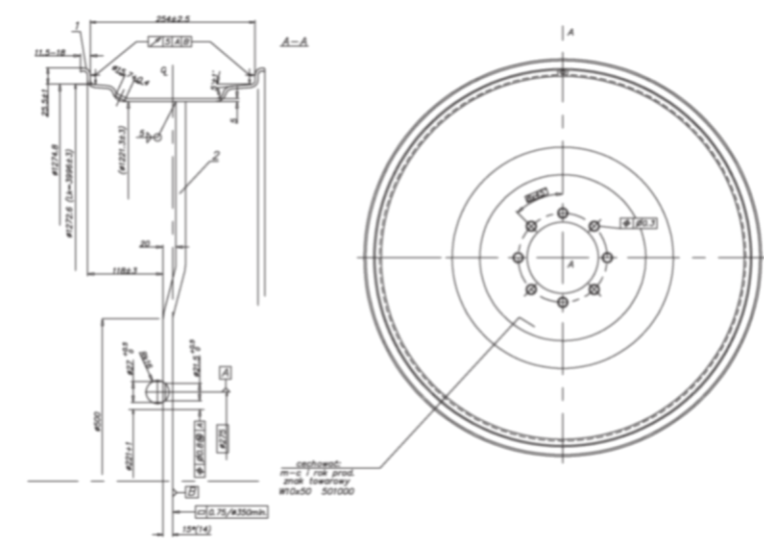


- ▶▶ 12"
- ▶▶ 13"
- ▶▶ 14"
- ▶▶ 15"
- ▶▶ 16"
- ▶▶ 16.1"
- ▶▶ 17"
- ▶▶ 18"

Dia.	Rim Size	Fitted tyre	Stud Holes		PC Dia.	Center Hole Dia.	Offset/ET.	Thickness		Model No.
			No.	Dia.				Rim	Disc	
12"	4.00B X 12	5.70-12	4	15	100	56	45			803402187
	4.00B X 12	5.70-12	4	15	114.3	73.6	35			803402188
13"	12X4J		5	14	114.3	75	0	2.5	4	803402189
	13X4 1/2J	5.50-13	4	15	114.3	66.6	34	3	4	803402190
	13X4 1/2J	5.50-13	4	14	101.6	71.63	0	3	4	803402191
	13X4 1/2J	5.50-13	4	15.5	100	57	30	3	4	803402192
	13X4J	5.50-13	5	15	139.7	110	34	3.5	4	803402193
	13X4J	5.50-13	5	15	139.7	110	34	3	4	803402194
14"	14X4 1/2J	6.50-14	5	15	139.7	110	32	4	5	803402195
	14X4 1/2J	6.50-14	5	15	139.7	110	23	4	5	803402196
	14X4 1/2J	6.50-14	5	15	139.7	110	26	4	5	803402197
	14X4 1/2J	6.50-14	5	15	139.7	110	92	4	6	803402198
	14X4 1/2J	6.50-14	6	15	160	110	99	4	6	803402199
	14X4 1/2J	6.50-14	5	15	139.7	110	92	4	6	803402200
	14X4 1/2J	6.50-14	5	15	139.7	110	98	4	6	803402201
	14X4 1/2J	6.50-14	5	15	139.7	110	0	4	4	803402202
	14X4 1/2J	6.50-14	5	15	139.7	110	93	4	6	803402203
	15"	15X6J	7.5L-15	6	15	114.3	67.3	10		
15X5 1/2J		6.5-15	5	15.5	112	67	30	4	7	803402205
15X5 1/2K		6.5-15	6	14	170	130	118	4	7	803402206
15X6J		7.5L-15	4	15	100	55.2	39			803402207
15X6J		7.5L-15	6	14	139.7	108.2	10			803402208
15X8J		11L-15	5	15.5	120.65	80.5				803402209
15X8J		11L-15						3.5		803402210
16"	16 X 6 1/2J		5	15.5	139.7	110	39.5	3	5	803402211
	16 X 7J		5	15	139.7	110	24.5	4	6	803402212
	16 X 7J		5	15	139.7	110	0	4		803402213
	16 X 7J		6	14	170	130	0	3.5		803402214
	16 X W8	9.00-16	6	21.5	205	161	0	4		803402215
	16XW10	11.00-16	6	21.5	205	161	0	4		803490022
16.1"	16.1xW11	14L-16.1	8	16.7	203.2	152.4	38	3.5	10	803490023
	16.1xW14	16.5L-16.1	8	16.7	203.2	152.4	38	3.5	10	803490024
	16.1xW16	19L-16.1	8	16.7	203.2	152.4	38	3.5	10	803490025
17"	16.1xW18	21.5L-16.1	8	16.7	203.2	152.4	38	3.5	10	803490026
	17 X 7J		5	15	139.7	110	0	4		803402216
18"	17 X 8J		6	14	170	130	0	3.5		803402217
	18 X 8J		5	15	139.7	110	0	4		803402218
	18 X W9	12.5/80-18	6	21.5	205	161	0	5	10	803402219



■ Narrow / Row Crop Wheels

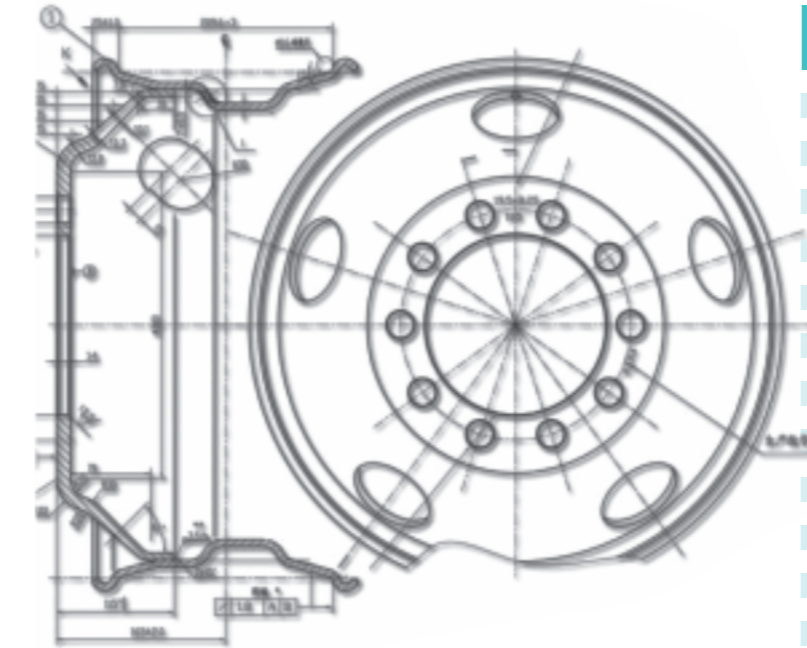
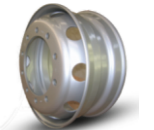


- 24"
- 28"
- 32"
- 36"
- 38"
- 40"
- 42"
- 44"
- 46"
- 48"
- 50"
- 52"
- 54"

Dia.	Rim Size	Fitted tyre	Stud Holes		PC Dia.	Center Hole Dia.	Offset/ET.	Thickness		Model No.
			No.	Dia.				Rim	Disc	
24"	W7x24	8.3-24	8		275	221		4		803402534
	W8x24	9.5-24	6		205	161		4		803402535
	W9x24	11.2-24	8		275	221	35	4		803402536
28"	W8x28	9.5R28	12		430	390		4		803402537
	W10x28	280/85R28	8		152.4	109		4		803402538
	W10x28	11.2R28	6		205	161	0	4		803402539
	W10x28	320/85R28	8		203.2	153	0	4		803402540
	W10x28	12.4R28	8		152.4	110		4		803402541
32"	W7x32	210/95R32	6		205	161	55	5		803402542
	W8x32	230/95R32	6		205	161	22	5		803402543
	W8x32	9.5R32	8		275	221		5		803402544
	W8x32	270/80R32	8		203.2	152		5		803402545
	W8x32	270/95R32	12		430	390		5		803402546
	W8x32	11.2R32	6		230	180	43	5		803402547
36"	W10x32		12		430	390		5		803402548
	W7x36	230/95R36	6		205	161	70	5		803402549
	W7x36	9.5R36	8		275	221	70	5		803402550
	W8x36	270/95R36	8		275	221		5		803402551
	W8x36	11.2R36	8		220	170		5		803402552
	W8x36	270/80R36	6		205	161	50	5		803402553
38"	W8x36	230/95R36	8		203.2	152		5		803402554
	W8x36	9.5R36	10		335	281	70	5		803402555
	W8x38	11.2R38	8		275	221	70	5		803402556
	W9x38	270/95R38	8		275	221		5		803402557
	W9x38		6		205	161	50	5		803402558
40"	W10x38		10		335	281	70	5		803402559
	W7x40	9.5R40	8		275	221	70	5		803402560
	W7x40	230/95R40	8		220	170		5		803402561
	W8x40		6		205	161	50	5		803402562
42"	W8x40		10		335	281	70	5		803402563
	W8x42	11.2R42	8		250	199.5	80	5		803402564
	W8x42	270/95R42	8		275	221	-50	5		803402565
	W8x42	270/95R44	6		205	161	0	5		803402566
44"	W10x42	11.2R44	12		430	390		5		803402567
	W7x44	230/95R44	8		275	221	70	5		803402568
	W7x44	9.5R44	6		205	161	70	5		803402569
	W8x44	11.3R46	8		275	221		5		803402570
46"	W8x44	12.4R46	10		335	281	100	5		803402571
	W10x46	13.6R46	8		203.2	152.4	160	5		803402572
	W10x46	14.9R46	8		275	221	70	5		803402573
	W12x46	340/85R48	8		203.2	161		5		803402574
48"	W8x48	13.6R48	8		275	221	70	5		803402575
	W10x48	270/95R48	10		335	281	100	5		803402576
	W12x48	320/90R50	8		275	221		5		803402577
	W8x50	380/90R50	8		275	221	70	5		803402578
50"	W8x50	380/105R50	6		205	161	70	5		803402579
	W10x50	12.4R52	8		275	221		5		803402580
	W10x52	300/95R52	8		275	221	160	5		803402581
	W12x52	11.2R54	8		335	281	70	5		803402582
52"	W8x54	12.4R54	8		275	221		5		803402583
	W10x54	270/95R54	10		335	281		5		803402584
	W12x54	320/90R54	8		275	221		5		803402585
	W12x54	380/90R54	12		430	390		5		803402586



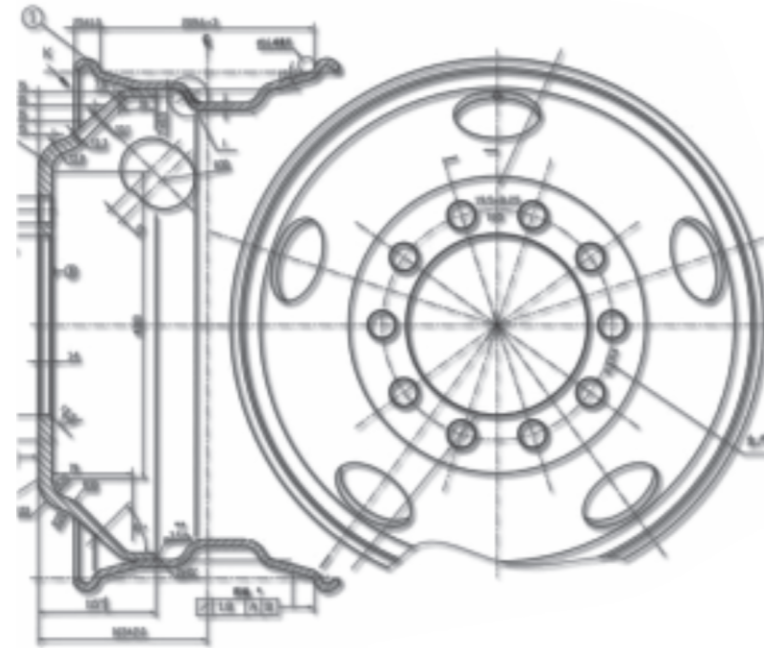
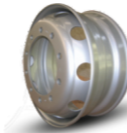
15° DC Series Wheels (for bus and heavy-duty truck)



13"
14.5"
17.5"

Dia.	Rim Size	Fitted tyre	Stud Holes		PC Dia.	Center Hole Dia.	Offset/ET.	Thickness		Model No.
			No.	Dia.				Rim	Disc	
13"	13x15LB		11	Φ 18.5	Φ 135	Φ 100	5	4	13	803403001
	13x15LB		11	Φ 18.5	Φ 135	Φ 100	36.5	4	13	803403002
	13x15LB		10	Φ 17.5	Φ 140	Φ 93	0	4	10	803403003
14.5"	14.5x6.00	215/75R14.5						5	10	803403004
	14.5x7.00	215/75R14.6	8	Φ 24	Φ 203.2	Φ 153	13.5	5	10	803403005
	14.5x7.00	215/75R14.7	9	Φ 17	Φ 241.3	Φ 202	13.5	5	10	803403006
17.5"	17.5x6.00	215/75R17.5	6	Φ 32	Φ 222.25	Φ 164	118	5	9	803403007
	17.5x6.00	215/75R17.5	5	Φ 29	Φ 203.2	Φ 146	118	5	9	803403008
	17.5x6.00	8R17.5	6	Φ 20.5	Φ 190	Φ 141	127	5	8	803403009
	17.5x6.00	8R17.5	10	Φ 32	Φ 224	Φ 171	113.5	6	14	803403010
	17.5x6.00	8R17.5	6	21	205	161	115	6	11	803403011
	17.5x6.00	8R17.5	5	32	208	150	115	6	10	803403012
	17.5x6.00	8R17.5	5	32	203.2	146	115	6	10	803403013
	17.5x6.00	8R17.5	6	Φ 20.5	Φ 205	Φ 146	55	6	11	803403014
	17.5x6.00	8R17.5	5	Φ 32.5	Φ 203.2	Φ 146	115	6	11	803403015
	17.5x6.00	8R17.5	5	Φ 32.5	Φ 203.2	Φ 134	115	6	11	803403016
	17.5x6.00	8R17.5	5	Φ 32.5	Φ 203.2	Φ 133	115	6	10	803403017
	17.5x6.00	8R17.5	5	Φ 32.5	Φ 208	Φ 150	135	6	10	803403018
	17.5x6.00	8R17.5	6	Φ 32	Φ 222.25	Φ 164	135	6	9	803403019
	17.5x6.00	8R17.5	10	Φ 32	Φ 224	Φ 171	135	6	12	803403020
	17.5x6.00	8R17.5	6	Φ 21	Φ 205	Φ 161	115	6	12	803403021
17.5x6.00	8R17.5	5	Φ 20	Φ 203.2	Φ 146	127	6	10	803403022	
17.5x6.00	215/75R17.5	6	Φ 32.5	Φ 222.25	Φ 164	135	6	12	803403023	
17.5x6.00	8R17.5	8	Φ 26	Φ 275	Φ 214	113.5	6	12	803403024	
17.5x6.00	8R17.5	5	Φ 32.5	Φ 198	Φ 150	120	6	10	803403025	
17.5x6.75	9R17.5	6	Φ 32	Φ 222.25	Φ 164	121	6	12	803403026	
17.5x6.75	9.5R17.5	10	Φ 26	Φ 225	Φ 176	140	6	12	803403027	
17.5x6.75	9R17.5	6	Φ 32	Φ 222.25	Φ 163	140	6	12	803403028	
17.5x6.75	9R17.5	10	26	225	176	153	6	12	803403029	
17.5x6.75	9R17.5	8	17	165	121	-12	6	10	803403030	
17.5x6.75	9R17.5	10	26	225	176	135	6	10	803403031	
17.5x6.75	9R17.5	8	Φ 26	Φ 275	Φ 214	153	6	12	803403032	
17.5x6.75	9R17.5	6	Φ 32.5	Φ 222.25	Φ 163	*140	6	11	803403033	

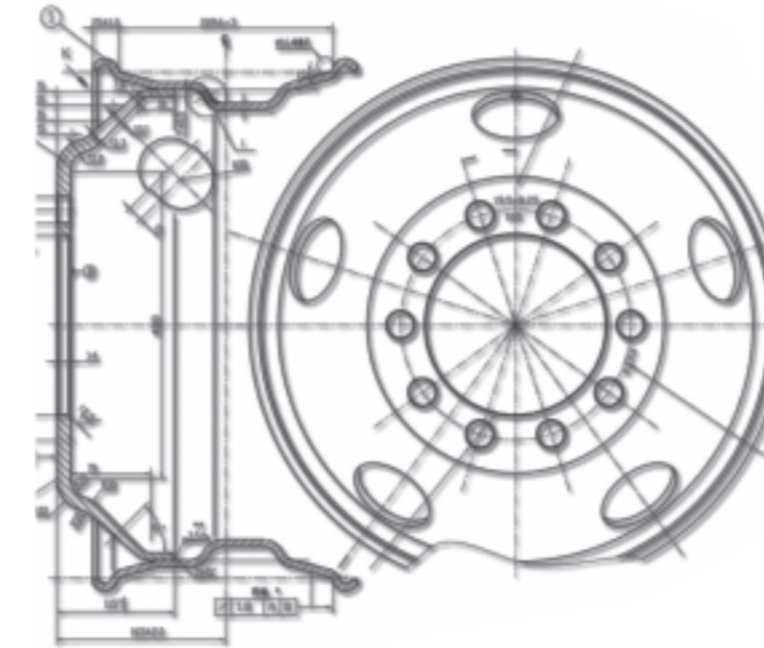
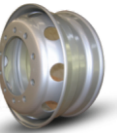
15° DC Series Wheels (for bus and heavy-duty truck)



Dia.	Rim Size	Fitted tyre	Stud Holes		PC Dia.	Center Hole Dia.	Offset/ET.	Thickness		Model No.
			No.	Dia.				Rim	Disc	
19.5"	19.5x12.25	9R17.5	10	Φ30	Φ335	Φ283.4	*6.5	7	13	803403034
	19.5x6.00	8R19.5	6	Φ32	Φ222.25	Φ164	123	6	12	803403035
	19.5x6.00	8R19.5	6	Φ32	Φ222.25	Φ163	115	6	12	803403036
	19.5x6.00	8R19.5	6	Φ32	Φ222.25	Φ168	115	6	12	803403037
	19.5x6.00	8R19.5	6	Φ32	Φ222.25	Φ164	135	6	11	803403038
	19.5x6.75	245/70R19.5	6	Φ32.5	Φ222.25	Φ164	140	6	11	803403039
	19.5x6.75	245/70R19.5	8	Φ32.5	Φ275	Φ221	140	6	12	803403040
	19.5x6.75	245/70R19.5	8	Φ27	Φ275	Φ221	139	6	10	803403041
	19.5x6.75	245/70R19.5	6	Φ32.5	Φ222.25	Φ164	123	6	11	803403042
	19.5x6.75	245/70R19.5	6	Φ32.5	Φ222.25	Φ164	*142	6	12	803403043
	19.5x6.75	8R19.5	10	Φ26	Φ225	Φ176	135	6	12	803403044
	19.5x6.75	8R19.5	8	Φ24	Φ275	Φ221	131	6	12	803403045
	19.5x6.75	8R19.5	8	Φ32	Φ275	Φ214	*140	6	12	803403046
	19.5x6.75	235/75R19.5	6	32	22.25	164	125	6	12	803403047
	19.5x6.75	235/75R19.5	8	32	275	214	130	6	12	803403048
	19.5x7.50	265/70R19.5	8	Φ32	Φ275	Φ214	139	6	12	803403049
	19.5x7.50	265/70R19.5	8	Φ27	Φ275	Φ221	139	6	12	803403050
	19.5x7.50	265/70R19.5	8	Φ32	Φ275	Φ214	139	6	12	803403051
	19.5x7.50	265/70R19.5	8	Φ32	Φ275	Φ221	139	6	12	803403052
	19.5x7.50	265/70R19.5	8	Φ26	Φ275	Φ221	140	6	12	803403053
19.5x7.50	265/70R19.5	8	Φ24	Φ275	Φ221	139	6	12	803403054	
19.5x8.25	285/70R19.5	10	Φ26	Φ225	Φ176	148	7	14	803403055	
20.5"	20.5x14.00		10	Φ27	Φ335	Φ281	50	7	14	803403056
	20.5x14.00		10	Φ27	Φ335	Φ281	0	7	14	803403057
	20.5x16.00		10	Φ27	Φ335	Φ281	60	7	14	803403058
	20.5x16.00		10	Φ27	Φ335	Φ281	78	7	14	803403059
22.5"	22.5x6.00	8.5R22.5	6	Φ32	Φ222.25	Φ163	135	6	12	803403060
	22.5x6.00	8.5R22.5	6	Φ32	Φ222.25	Φ163	*135	6	12	803403061
	22.5x6.00	8.5R22.5	8	Φ32	Φ275	Φ214	123	6	11	803403062
	22.5x6.00	8.5R22.5	8	Φ32.5	Φ275	Φ214	133	6	12	803403063
	22.5x6.00	8.5R22.5	6	Φ32.5	Φ222.25	Φ164	135	6	11	803403064
	22.5x6.00	8.5R22.5	6	Φ32.5	Φ275	Φ164	135	6	14	803403065
	22.5x6.75	9R22.5	8	Φ32	Φ275	Φ214	142	6	12	803403066
	22.5x6.75	9R22.5	8	Φ24	Φ275	Φ221	140	6	12	803403067
	22.5x6.75	9R22.5	8	Φ32	Φ275	Φ214	152	6	12	803403068
	22.5x6.75	9R22.5	10	Φ32	Φ285.75	Φ221	169	6	14	803403069
	22.5x6.75	9R22.5	10	Φ26	Φ335	Φ281	169	6	14	803403070
	22.5x6.75	9R22.5	10	Φ26	Φ225	Φ176	169	6	11	803403071
	22.5x6.75	9R22.5	8	Φ32	Φ275	Φ214	145	6	12	803403072
	22.5x6.75	9R22.5	8	Φ32	Φ285	Φ221	142	6	12	803403073
	22.5x6.75	9R22.5	8	Φ32	Φ275	Φ214	133	6	12	803403074
	22.5x6.75	9R22.5	8	32	285	221	140	6	14	803403075
	22.5x7.50	10R22.5	8	Φ32	Φ275	Φ214	138	7	14	803403076
	22.5x7.50	10R22.5	8	Φ32.5	Φ285	Φ221	148	7	14	803403077
	22.5x7.50	10R22.5	10	Φ26	Φ335	Φ281	151	7	14	803403078
	22.5x7.50	10R22.5	8	Φ24	Φ275	Φ221	138.5	7	14	803403079

19.5"
20.5"
22.5"

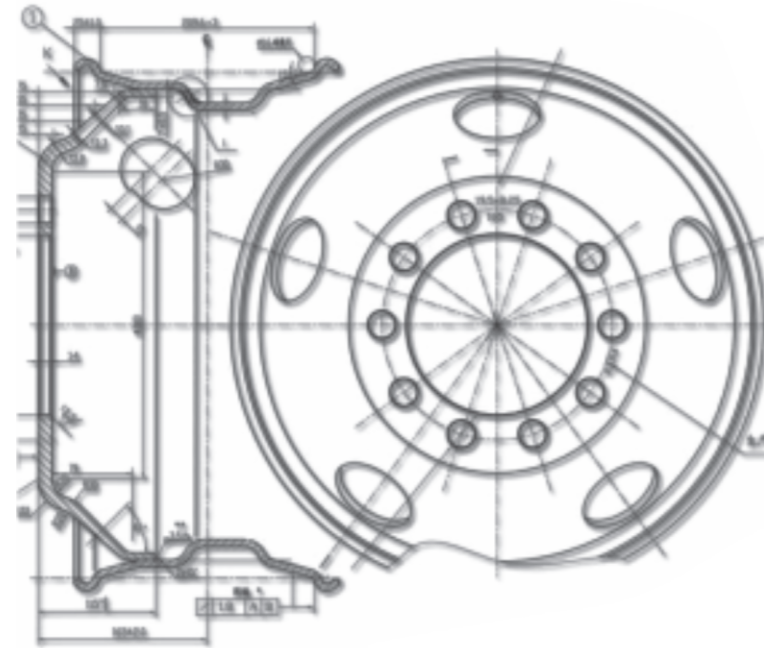
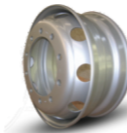
15° DC Series Wheels (for bus and heavy-duty truck)



Dia.	Rim Size	Fitted tyre	Stud Holes		PC Dia.	Center Hole Dia.	Offset/ET.	Thickness		Model No.	
			No.	Dia.				Rim	Disc		
22.5"	22.5x7.50	10R22.5	8	Φ26	Φ275	Φ221	138.5	7	14	803403080	
	22.5x7.50	10R22.5	8	Φ32	Φ275	Φ214	138.5	7	14	803403081	
	22.5x7.50	10R22.5	10	Φ26	Φ285.75	Φ220	138	7	14	803403082	
	22.5x7.50	10R22.5	10	Φ26	Φ335	Φ272	138	7	14	803403083	
	22.5x7.50	10R22.5	8	Φ32	Φ275	Φ214	138.5	7	14	803403084	
	22.5x7.50	10R22.5	8	Φ26	Φ275	Φ221	138.5	7	14	803403085	
	22.5x7.50	10R22.5	10	Φ26	Φ285.75	Φ220	152	7	14	803403086	
	22.5x7.50	10R22.5	8	Φ32	Φ275	Φ214	152	7	14	803403087	
	22.5x7.50	10R22.5	10	Φ32	Φ285.75	Φ221	169	7	14	803403088	
	22.5x7.50	10R22.5	10	Φ32	Φ285.75	Φ281	169	7	14	803403089	
	22.5x7.50	10R22.5	8	Φ26	Φ335	Φ221	60	7	14	803403090	
	22.5x7.50	10R22.5	10	Φ32.5	Φ285	Φ222	152	7	14	803403091	
	22.5x7.50	10R22.5	10	Φ32	Φ285.75	Φ285.75	Φ222	7	14	803403092	
	22.5x7.50	10R22.5	8	Φ32	Φ32	Φ285.75	Φ222	7	14	803403093	
	22.5x7.50	10R22.5	8	Φ32	Φ275	Φ222	169	7	14	803403094	
	22.5x7.50	10R22.5	8	Φ32	Φ285	Φ221	150	7	14	803403095	
	22.5x7.50	10R22.5	8	Φ32	Φ285	Φ221	152	7	14	803403096	
	22.5x7.50	10R22.5	6	Φ32	Φ275	Φ222.25	Φ165	7	14	803403097	
	22.5x8.25	11R22.5	10	Φ26	Φ335	Φ281	151	7	14	803403098	
	22.5x8.25	11R22.5	10	Φ26	Φ335	Φ281	151	7	14	803403099	
	22.5x8.25	11R22.5	10	Φ32.5	Φ285.75	Φ221.5	154	7		803403100	
	22.5x8.25	11R22.5	10	Φ32.5	Φ285.75	Φ221.5	168	7	14	803403101	
	22.5x8.25	Demountable 11R22.5									803403102
	22.5x8.25	11R22.5	10	Φ26	Φ335	Φ272	151	7	14	803403103	
	22.5x8.25	11R22.5	8	Φ32.5	Φ285	Φ221	151	7	14	803403104	
	22.5x8.25	11R22.5	8	Φ32.5	Φ285	Φ221	151.5	7	14	803403105	
	22.5x8.25	11R22.5	10	Φ26	Φ285.75	Φ220	154	7	14	803403106	
	22.5x8.25	11R22.5	10	Φ32.5	Φ285.75	Φ221	154	7	14	803403107	
	22.5x8.25	11R22.5	8	Φ32	Φ275	Φ214	154	7	14	803403108	
	22.5x8.25	11R22.5	10	Φ26	Φ285.75	Φ220	154	7	14	803403109	
	22.5x8.25	11R22.5	10	Φ26	Φ285.75	Φ220	151	7	14	803403110	
	22.5x8.25	11R22.5	10	Φ24	Φ335	Φ281	151	7	14	803403111	
	22.5x8.25	11R22.5	8	Φ24	Φ275	Φ221	154	7	14	803403112	
	22.5x8.25	11R22.5	10	Φ26	Φ335	Φ275	154	7	14	803403113	
	22.5x8.25	11R22.5	8	Φ32.5	Φ285	Φ221	151	7	14	803403114	
	22.5x8.25	11R22.5	10	Φ26	Φ335	Φ281	*165	7	14	803403115	
22.5x8.25	11R22.5	10	Φ26	Φ335	Φ281	158	7	14	803403116		
22.5x8.25	11R22.5	8	Φ32.5	Φ285	Φ221	165	7	14	803403117		
22.5x8.25	11R22.5	10	Φ26	Φ335	Φ281	156	7	14	803403118		
22.5x8.25	11R22.5	8	Φ32	Φ285.75	Φ221	165	7	14	803403119		
22.5x8.25	11R22.5	10	Φ32	Φ285.75	Φ222	168	7	14	803403120		
22.5x8.25	11R22.5	10	Φ26	Φ335	Φ281	169	7	14	803403121		
22.5x8.25	11R22.5	10	Φ26	Φ285.75	Φ220	168	7	14	803403122		
22.5x8.25	11R22.5	10	Φ26	Φ335	Φ281	166	7	14	803403123		
22.5x8.25	11R22.5	8	Φ32	Φ285	Φ221	165	7	14	803403124		
22.5x8.25	11R22.5	10	Φ32	Φ285.75	Φ222	165	7	14	803403125		

22.5"

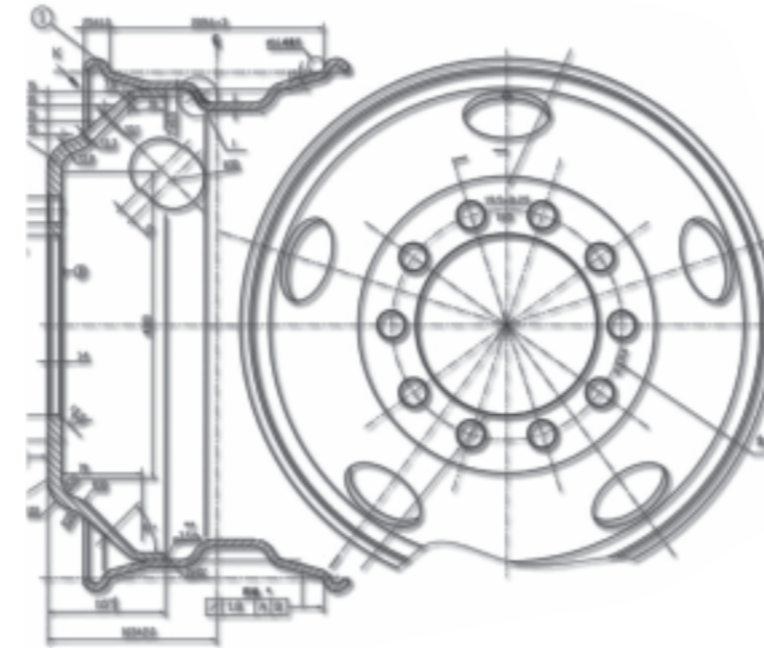
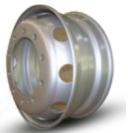
15° DC Series Wheels (for bus and heavy-duty truck)



Dia.	Rim Size	Fitted tyre	Stud Holes		PC Dia.	Center Hole Dia.	Offset/ET.	Thickness		Model No.	
			No.	Dia.				Rim	Disc		
22.5"	22.5x8.25	11R22.5	10	Φ26	Φ285.75	Φ220	168	7	14	803403126	
	22.5x9.00	12R22.5	10	Φ26	Φ335	Φ281	165	7	14	803403127	
	22.5x9.00	12R22.5	10	Φ26	Φ335	Φ281	175	7	14	803403128	
	22.5x9.00	12R22.5	10	Φ32	Φ285.75	Φ222	175	7	14	803403129	
	22.5x9.00	12R22.5	10	Φ26	Φ285.75	Φ281	175	7	14	803403130	
	22.5x9.00	12R22.5	10	Φ26	Φ335	Φ281	175	7	14	803403131	
	22.5x9.00	12R22.5	10	Φ26	Φ335	Φ281	161	7	14	803403132	
	22.5x9.00	12R22.5	10	Φ26	Φ335	Φ281	158	7	14	803403133	
	22.5x9.00	12R22.5	10	Φ26	Φ335	Φ281	161	7	14	803403134	
	22.5x9.00	12R22.5	10	Φ32.5	Φ285.75	Φ221.5	161	7	14	803403135	
	22.5x9.00	Demountable 2R22.5							7		803403136
	22.5x9.00	Demountable 2R22.5							7		803403137
	22.5x9.00	Demountable 2R22.5							7		803403138
	22.5x9.00	12R22.5	10	Φ26	Φ335	Φ281	114	7	14		803403139
	22.5x9.00	12R22.5	10	Φ26	Φ335	Φ281	114	7	14		803403140
	22.5x9.00	315/80R22.5	10	Φ26	Φ335	Φ281	170	7	16		803403141
	22.5x9.00	12R22.5	8	Φ32.5	Φ285	Φ221	161	7	14		803403142
	22.5x11.75	385/65R22.5	10	Φ27	Φ335	Φ281	0	7	12		803403143
22.5x11.75	385/65R22.5	10	Φ27	Φ335	Φ281	201	7	14		803403144	
22.5x11.75	385/65R22.5	10	Φ27	Φ335	Φ281	120	7	12		803403145	
22.5x11.75	385/65R22.5	10	Φ26	Φ335	Φ281	0	7	12		803403146	
22.5x11.75	385/65R22.5	8	Φ16.5	Φ203.2	Φ152.5	22	7	12		803403147	
22.5x11.75	425R22.5	8	Φ32	Φ275	Φ214	2	7	16		803403148	
22.5x13.00	445/65R22.5	10	32	Φ335	Φ281	75	7	16		803403149	
22.5x13.00	445/65R22.5	10	26	Φ220	Φ285.75	75	7	16		803403150	
22.5x14.00	18R22.5	10	Φ27	Φ335	Φ281.5	75	7	16		803403151	
22.5x14.00	18R22.5	10	Φ26	Φ335	Φ281	20	7	16		803403152	
22.5x14.00	18R22.5	10	Φ32.5	Φ285.75	Φ221.5	117	7	16		803403153	
22.5x14.00	18R22.5	10	Φ27	Φ335	Φ281	175.5	7	16		803403154	
22.5x14.00	18R22.5	10	Φ35	Φ335	Φ272	72	7	16		803403155	
22.5x14.00	18R22.5	10	Φ27	Φ335	Φ281	18	7	16		803403156	
22.5x14.00	18R22.5	10	Φ32.5	Φ335	Φ281.5	74	7	14		803403157	
22.5x14.00	18R22.5	10	Φ32.5	Φ285.75	Φ221.5	60	7	16		803403158	
22.5x14.00	18R22.5	10	Φ27	Φ335	Φ281	133	7	16		803403159	
22.5x14.00	18R22.5	10	Φ35	Φ335	Φ272	85	7	16		803403160	
22.5x14.00	18R22.5	10	Φ30	Φ285.75	Φ217.5	85	7	16		803403161	
22.5x14.00	18R22.5	10	Φ27	Φ335	Φ281.5	86	7	16		803403162	
22.5x16.00	18R22.5	8	26	275	221	0	6	12		803403163	
22.5x16.00	550/60-22.5	8	21.5	275	221	0	6	12		803403164	
22.5x16.00	500/60-22.5	10	32	285.75	222	60	6	12		803403165	
22.5x16.00	550/45-22.5	10	26	335	281	0	6	12		803403166	
22.5x14.00	18R22.5	10	Φ27	Φ335	Φ281	60	7	14		803403167	

22.5"

15° DC Series Wheels (for bus and heavy-duty truck)

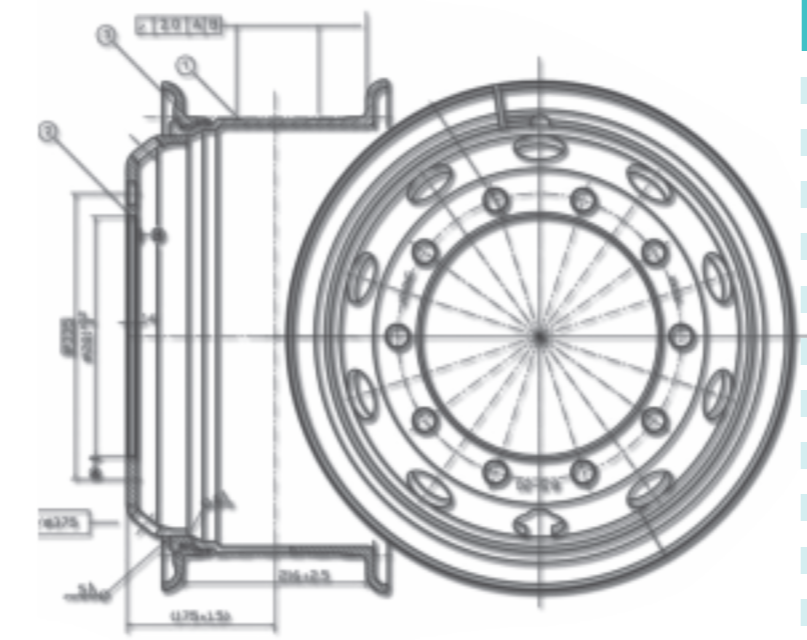
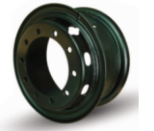


Dia.	Rim Size	Fitted tyre	Stud Holes		PC Dia.	Center Hole Dia.	Offset/ET.	Thickness		Model No.
			No.	Dia.				Rim	Disc	
24"	24X9.00	12R24	10	Φ32	Φ335	Φ284		7	14	803403168
	24X9.00	12R24	8	Φ27	Φ275	Φ224.8		7	14	803403169
	24X9.00	12R24	10	Φ23.8	Φ335	Φ281.18		7	14	803403170
	24X9.00	12R24	12	Φ20.7	Φ381	Φ324.3		7	14	803403171
24.5"	24.5X8.25	11R24.5	10	Φ26	Φ335	Φ281	156	7	14	803403172
	24.5X8.25	11R24.5	10	Φ26	Φ285.75	Φ220	156	6	11	803403173
	24.5X8.25	11R24.5	8	32	285	221	155	7	14	803403174
	24.5X8.25	11R24.5	10	32	285.75	222	155	6	11	803403175
	24.5X8.25	11R24.5	10	Φ26	Φ285.75	Φ221	168	6	11	803403176
	24.5X8.25	11R24.5	10	Φ32.5	Φ285.75	Φ221	168	6	11	803403177
	24.5X8.25	12R24.5						7		803403178
	24.5X11.75	15R24.5	9	Φ17.5	Φ241.3	Φ201.6	10	6	10	803403179
	24.5X11.75	15R24.5	8	Φ17.5	203.2	154	28	6	10	803403180
	24.5X11.75	15R24.5	9	Φ17.5	241.3	Φ201.6	22	6	16	803403181
	24.5X13.00	16.5R24.5	10	Φ32	Φ335	Φ281.2		6	11	803403182
	24.5X13.00	16.5R24.5	10	Φ23.8	Φ335	Φ285.75	36.8	6	16	803403183
24.5X13.00	16.5R24.5	10	Φ23.8	Φ335	Φ285.75	4.3	6	16	803403184	
24.5X13.00	16.5R24.5	10	Φ32	Φ335	Φ281.2		7	14	803403185	
24.5X13.00	16.5R24.5	10	Φ32	Φ335	Φ281	32	6	16	803403186	

24"
24.5"



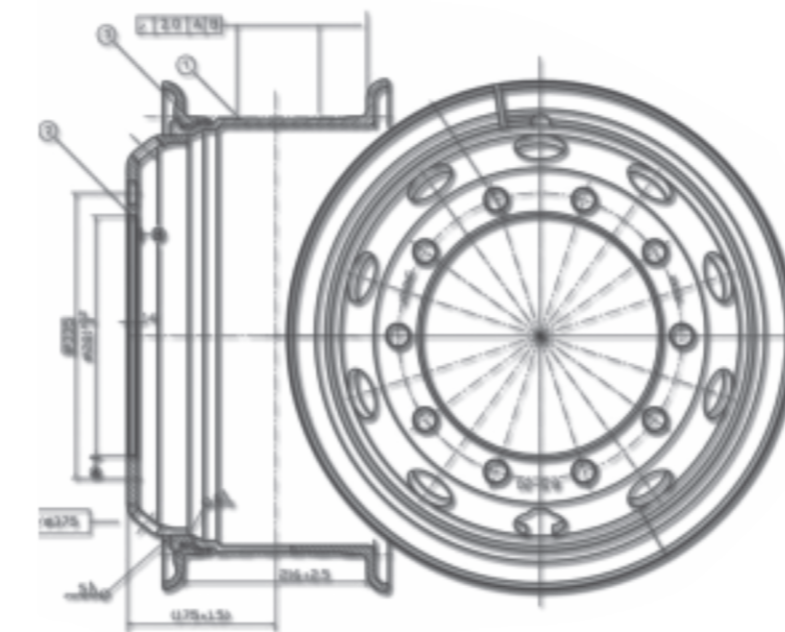
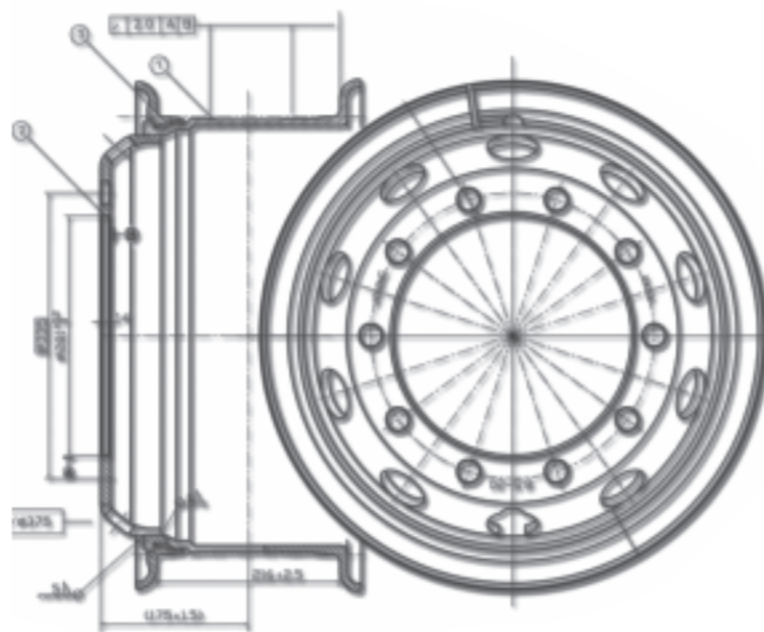
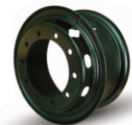
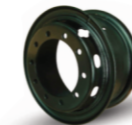
■ FB SDC Series Wheels (for tube truck and trailer)



▶▶ 16"

Dia.	Rim Size	Fitted tyre	Stud Holes		PC Dia.	Center Hole Dia.	Offset/ET.	Thickness		Model No.
			No.	Dia.				Rim	Disc	
16"	16 X 3.00D	4.00-16	5	15	139.7	106	18	4	6	803403187
	16 X 3.00D	4.00-16	5	15	139.7	110	20	4	6	803403188
	16 X 4.50E	6.50-16	6	20	152	110	93	4	6	803403190
	16 X 4.50E	6.50-16	5	15	139.7	110	5	4	6	803403191
	16 X 4.50E	6.50-16	6	14	152	110	47.5	4	6	803403192
	16 X 4.50E	6.50-16	6	17	180	141	15	4	6	803403193
	16 X 4.50E	6.50-16	5	15	140	96	15	4	15	803403194
	16 X 4.50E	6.50-16	6	14	180	140	30	4	6	803403195
	16 X 4.50E	6.50-16	6	19	152	117.7	10	4	8	803403196
	16 X 4.50E	6.50-16	6	20	152	112	80	4	6	803403197
	6.50-16	8.25-16	6	Φ32	220	165	77	6	10	803403199
	6.50-16	8.25-16	6	Φ32	Φ222.25	Φ163	135	6	12	803403200
	6.50-16	8.25-16	6	Φ20.2	Φ190	Φ140	112	6	10	803403202
	5.50F-16	7.50-16	6	17	180	141	22	5	10	803403203
	5.50F-16	7.50-16	6	17	285	250	46	5	10	803403204
	5.50F-16	7.50-16	6	20	152	110	55	5	10	803403206
	5.50F-16	7.50-16	6	20	190	146	46.5	5	10	803403207
	5.50F-16	7.50-16	4	17	180	142	25	5	10	803403208
	5.50F-16	7.00-16	5	Φ32.5	Φ203.2	Φ146	107	5	10	803403209
	5.50F-16	7.00-16	5	Φ29	Φ203.2	Φ146	107	5	10	803403210
	5.50F-16	6.50-16	6	Φ20.5	Φ190	Φ140	106	5	10	803403213
	5.50F-16	7.50-16	6	Φ32	Φ222.25	Φ163	119	5	10	803403214
	5.50F-16	7.50-16	6	Φ32	Φ222.25	Φ163	123	5	10	803403218
	5.50F-16	7.50-16	6	Φ29	Φ205	Φ161	123	5	10	803403219
	5.50F-16	7.50-16	6	27	184	133	117	5	10	803403222
	5.50F-16	7.50-16	6	Φ32	Φ208	Φ150	123	5	10	803403223
	5.50F-16	6.50-16	5	Φ28	Φ200	Φ145	107	5	10	803403229
	5.50F-16	7.0-16	5	Φ28	Φ200	Φ147	107	5	10	803403230
	5.50F-16	8.25-16	6	Φ32	Φ222.25	Φ163	124	5	10	803403231
	5.50F-16	7.00-16	6	Φ21	Φ180	Φ140.2	112	5	10	803403232
5.50F-16	7.00-16	6	Φ21	Φ205	Φ161	119	5	10	803403234	
5.50F-16	7.00-16	6	Φ21	Φ205	Φ161.5	123	5	10	803403235	
5.50F-16	7.50-16	6	Φ20.5	Φ190	Φ140	123	5	10	803403242	
5.50H-16	8.25-16	6	Φ21	Φ170	Φ130	101	5	10	803403243	
5.50H-16	7.00-16	6	Φ21.5	Φ205	Φ161	0	5	10	803403244	
6.00G-16	7.50-16	6	Φ21.5	Φ205	Φ161	0	6	10	803403245	
6.00G-16	7.50-16	5	Φ18.5	Φ140	Φ94.5	26	6	10	803403246	
6.00G-16	7.50-16	6	Φ32	Φ222.25	Φ163	135	6	10	803403247	
6.00G-16B1	7.50-16	6	Φ20.5	Φ190	Φ140	112	6	10	803403248	
6.00G-16B1	7.50-16	8	24	212	161	135	6	10	803403249	

FB SDC Series Wheels (for tube truck and trailer)



Dia.	Rim Size	Fitted tyre	Stud Holes		PC Dia.	Center Hole Dia.	Offset/ET.	Thickness		Model No.
			No.	Dia.				Rim	Disc	
16"	6.00G-16B1	7.50-16	5	20.5	203.5	146	135	6	10	803403250
	6.50-16	8.25-16(8.25R16)	6	Φ32	Φ222.25	Φ163	143	6	12	803403251
	6.50-16	8.25-16(8.25R16)	6	20.5	190	163	143	6	12	803403252
	7.00T-16	9.00-16	5	21.5	225	178	0	6	12	803403256
	7.00T-16	9.00-16	6	32	260	200	82	6	12	803403258
20"	7.00-16	8.25-16	6	26	Φ222.25	Φ163	143	6	12	803403259
	5.00S-20	7.00-20	6	Φ32	Φ222.25	Φ163	119	6	10	803403260
	5.50F-20	7.50-20	5	19	175	135	25	6	12	803403261
	5.50F-20	7.50-20	6	15	150	110	56.5	6	12	803403262
	5.50F-20	7.50-20	6	17	180	141	23.5	6	12	803403263
	5.50F-20	7.50-20	6	21.5	205	161	15	6	12	803403265
	5.50F-20	7.50-20	6	14	180	141	0	6	12	803403266
	5.50F-20	7.50-20	6	20	152	110	41	6	12	803403271
	5.50F-20	7.50-20	5	19	175	135	26	6	12	803403272
	5.50F-20	7.50-20	6	17	180	141	21	6	12	803403275
	5.50F-20	7.50-20	5	19	175	136	99	6	12	803403276
	6.00F-20	7.50-20	6	17	180	141	33	6	12	803403280
	6.00G-20	7.50-20	8	Φ32.5	Φ275	Φ214	127	6	12	803403281
	6.00G-20	7.50-20	8	Φ32.5	Φ222.25	Φ163	137	6	12	803403283
	6.50-20	8.25-20	8	Φ32	Φ222.25	Φ163	145	6	12	803403284
	6.50-20	8.25-20	8	Φ26	275	Φ213.5	145	6	12	803403286
	6.50-20	8.25-20	8	Φ32	Φ275	Φ214	145	6	12	803403290
	6.50-20	8.25-20	6	32	415	355	125	6	12	803403291
	6.50-20	8.25-20	8	32	380	324	125	6	12	803403292
	6.50-20	8.25-20	10	32	290	240	138.5	6	12	803403293
	7.25V-20	9.00-20	8	32	275	214	160	6	12	803403294
	7.00T-20	9.00-20	12	32	404	353	135	6	12	803403295
	7.00T-20	9.00-20	8	32	415	335	157	6	12	803403296
	7.00T-20	9.00-20	10	32	390	340	143	6	12	803403297
	7.00T-20	9.00-20	8	Φ32	Φ275	Φ214	146	6	12	803403301
	7.00T-20	9.00-20	8	Φ32	Φ285	Φ220	113	6	14	803403302
	7.00T-20	9.00-20	8	Φ26	Φ275	Φ221	140	6	12	803403303
7.00T-20	9.00-20	8	Φ32	Φ285	Φ221	136	6	12	803403304	
7.50V-20	10.00-20	10	Φ26	Φ335	Φ281	165	6	12	803403307	
7.50V-20	10.00-20	10	Φ26	Φ285.75	Φ220	165	10	14	803403308	
7.50V-20	10.00-20	10	Φ32.5	Φ285.75	Φ222	165	10	14	803403309	
7.50V-20	10.00-20	8	Φ32.5	Φ285	Φ221	165	10	14	803403310	
7.50V-20	10.00-20	8	Φ32.5	Φ275	Φ214	165	6	14	803403313	
7.50V-20	10.00-20	10	Φ32.5	Φ285.75	Φ222	150	6	14	803403314	
7.50V-20	10.00-20	10	Φ26	Φ285.75	Φ220	151	6	14	803403316	

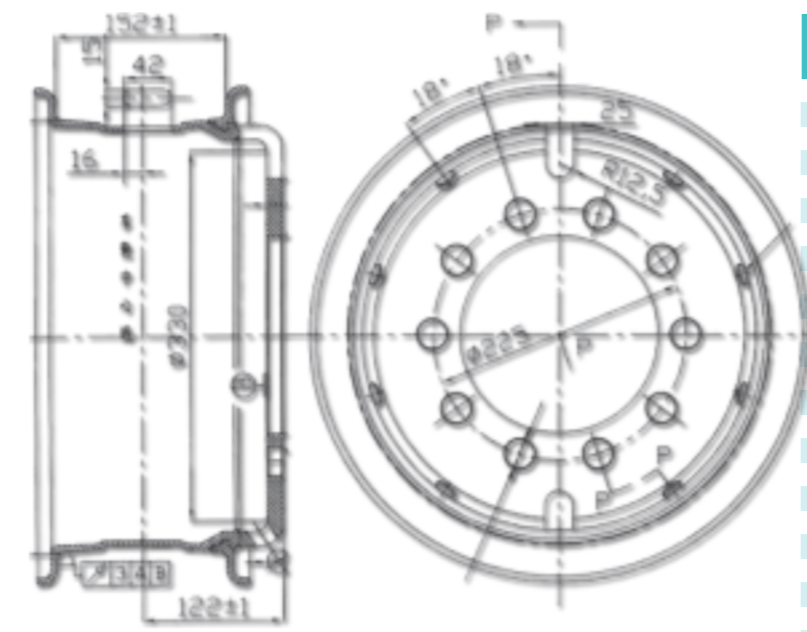
Dia.	Rim Size	Fitted tyre	Stud Holes		PC Dia.	Center Hole Dia.	Offset/ET.	Thickness		Model No.
			No.	Dia.				Rim	Disc	
20"	7.50V-20	10.00-20(16)	10	Φ26	Φ335	Φ281	151	6	14	803403318
	7.50V-20	10.00-20	8	Φ32	Φ285.75	Φ221	163	6	14	803403325
	7.75V-20		8	32	285	221	152	6	14	803403328
	8.00-20	11.00-20	10	Φ26	Φ335	Φ281	158	7	14	803403329
	8.00-20	11.00-20	10	Φ32	Φ335	Φ272	164.5	7	14	803403330
	8.00-20	11.00-20	10	Φ26	Φ335	Φ281	0	7	14	803403331
	8.00-20	11.00-20	8	Φ32	Φ285	Φ221	153	7	14	803403332
	8.00-20	11.00-20	10	Φ26	Φ335	Φ281	*172	7	14	803403336
	8.00V-20	11.00-20	10	Φ26	Φ335	Φ281	161	7	14	803403337
	8.00V-20	11.00-20	10	Φ32.5	Φ285.75	Φ222	161	7	14	803403338
	8.00V-20BG	11.00-20	8	Φ32.5	Φ285	Φ221	170	7	12	803403341
	8.00V-20BT	11.00-20	10	Φ27	Φ335	Φ281	172	7	12	803403342
	8.00V-20CA	11.00-20	10	Φ26	Φ335	Φ281	*175	7	14	803403343
	8.00V-	11.00-20	10	Φ27	Φ335	Φ281	172	7	12	803403345
	8.00V-	11.00-20	10	Φ26	Φ335	Φ272	170	7	10	803403346
	8.25V-20		8	32	285	221	167	7	13	803403348
	8.50-20	12.00-20	10	23	335	281	33.3	7	14	803403349
	8.50-20	12.00-20	16	24	370	320	187	7	14	803403350
	8.50-20	12.00-20	10	26	335	281	180	7	14	803403351
	8.50-20	12.00-20	10	Φ23	Φ335	Φ281	134.5	7	14	803403354
	8.50-20	12.00-20	10	Φ32.5	Φ285.75	Φ222	163	7	14	803403355
	8.50-20B	12.00-20	10	Φ27	Φ335	Φ281	172	7	12	803403362
	8.50-20S	12.00-20	10	Φ26	Φ335	Φ281	175	7	14	803403363
	8.50-20Y	12.00-20	10	Φ26	Φ335	Φ281	175	7	14	803403364
	8.50-20YT	12.00-20	12	Φ26	Φ381	Φ325	173	7	14	803403365
	9.00-20	12.00-20	10	26	335	281	185	10	16	803403366
	10.00-20	14.00-20	10	26	335	281	70	10	16	803403367
11.00-20	15.00-20	9	18	242	202	-40	10	16	803403368	
12.00-20	15.5-20	10	Φ27	Φ335	Φ281	102	10	16	803403369	
8.50-24	12.00-24	10	Φ26	Φ335	Φ281	185	5	16	803403370	
8.50-24	12.00-24	10	Φ27	Φ335	Φ281	180	5	16	803403371	
8.50-24	12.00-24	10	Φ26	Φ335	Φ281	166	5	14	803403372	
8.50-24	12.00-24	8	Φ26	Φ275	Φ221	180	6	14	803403375	
8.75-24		10	26	335	281	166	7	14	803403376	
9.00-24		10	30	335	283.4	22.4	8	13	803403377	
9.00-24		10	24	335	281	16	8	13	803403378	
10.00-24	14.00-24	12	24	425	371	195	10	16	803403380	
13.00-24	18.00-24	10	Φ24	Φ335	Φ280	80	10	16	803403381	

16"
20"

20"
24"



Forklift/Industrial/Low loaders Series

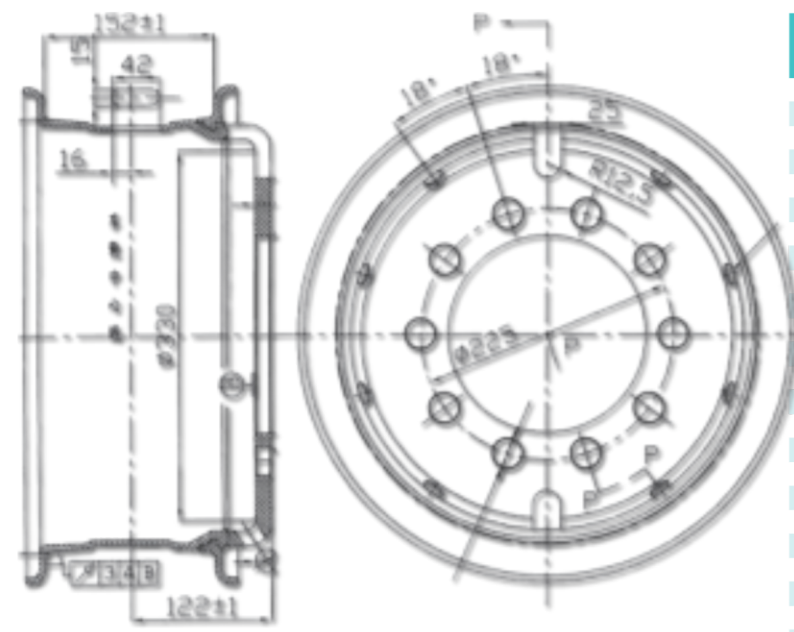


8"
9"
10"
12"

Dia.	Rim Size	Fitted tyre	Stud Holes		PC Dia.	Center Hole Dia.	Offset/ET.	Thickness		Model No.	
			No.	Dia.				Rim	Disc		
8"	2.50C-8	4.00-8	4	10.5	110	70			3	803404001	
	3.00D-8	4.00-8	6	14.5	148	106	0		4	803404002	
	3.00D-8	4.00-8	6	15	125	100	0		5	803404003	
	3.00D-8	5.00-8	6	14.5	148		0		5	803404004	
	3.50D-8	5.00-8	6	15	125		0		5	803404005	
	4.33R-8	18X7-8	6	13.2	148		0		4	803404006	
	4.33R-8	18X7-8	5	18.5	145	110	25		10	803404007	
9"	4.33R-8 3pc	18X7-8	6	14.5	148	110	15		9	803404008	
	3.00D-8	15x4 1/2-8"	5	18.5	114.3	80	27		10	803404009	
	5.5x8	16x6.5-8	4	14	101.6	72	-2	2	5	803404010	
	3.50W-9		6	16.8	166		0		6	803404011	
	3.70R-9		6	17	175	140	0		5	803404012	
	4.00E-9	6.00-9	8	16	160		0		5	803404013	
	4.00E-9	6.00-9	6	17	170	140	0		5	803404014	
	4.00E-9	6.00-9	6	18	170	140	0		5	803404015	
	4.00E-9	6.00-9	6	17.5	180		0		5	803404016	
	4.33R-9	7.00-9	6	16.5	145	105	0		4	803404017	
10"	4.33R-9	7.00-9	6	16.5	145	105	0		5	803404018	
	5.00S-9	7.00-9	6	16.5	170		0		5	803404019	
	5.00F-10	200/50-10	5	21.5	160	110	9		10	803404020	
	6.50-10	200/50-10	5	21.5	160	110	54		10	803404021	
	6.50-10	6.5-10	5	18.5	145	110	7.5		10	803404022	
	5.00F-10	6.5-10	8	16	160	130	0		5	803404023	
	5.00F-10	6.5-10	6	17.5	180	150	0		5	803404024	
	5.00F-10	6.5-10	6	17.5	180	150	0		6	803404025	
	5.00F-10 4pc	6.5-10	6	13.5	139	110	0		12	803404026	
	6.5-10	23X9-10	5	15	145	110	32		6	803404027	
12"	6.5-10	23X9-10	6	28	142	102.5	35		6	803404028	
	6.50F-10	23X8/9-10	6	18.5	188	145			6	803404029	
	5.00S-12		14	16	210	178	60		10	803404030	
	8.00G-12	27X10-12	14	16	210	178	28		12	803404031	
	8.00G-12	23X10-12NHS	6	20	220	160	8.5		12	803404032	
	8.00G-12	27X10-12NHS								NO DISC	803404033
	4.50E-12	5.50-12	4	17	170	135	0		3	803404034	
	5.00S-12	7.00-12	6	14.5	180	150	0		5	803404035	
											803404036
	5.00S-12	7.00-12	6	32	220	151	0		6	803404037	
5.00S-12	7.00-12	6	27	200	150	0		6	803404038		
5.00S-12	7.00-12	5	32	210	158	0		6	803404039		
5.00S-12	7.00-12	6	27	220	170	0		6	803404040		
5.00S-12 4pc	7.00-12	8	27	190	145	70		12	803404041		
5.00E-12		4	17	170	135	0		6	803404042		
6.50F-12	8.25-12	8	14	186	155	0		6	803404043		
6.50F-12	8.25-12	5	32	225	180	0		6	803404044		
8.00G-12	27X10-12	6	27	200	150	0		6	803404045		
8.0-12	27X10-12	10	26	225	176	-6		10	803404046		



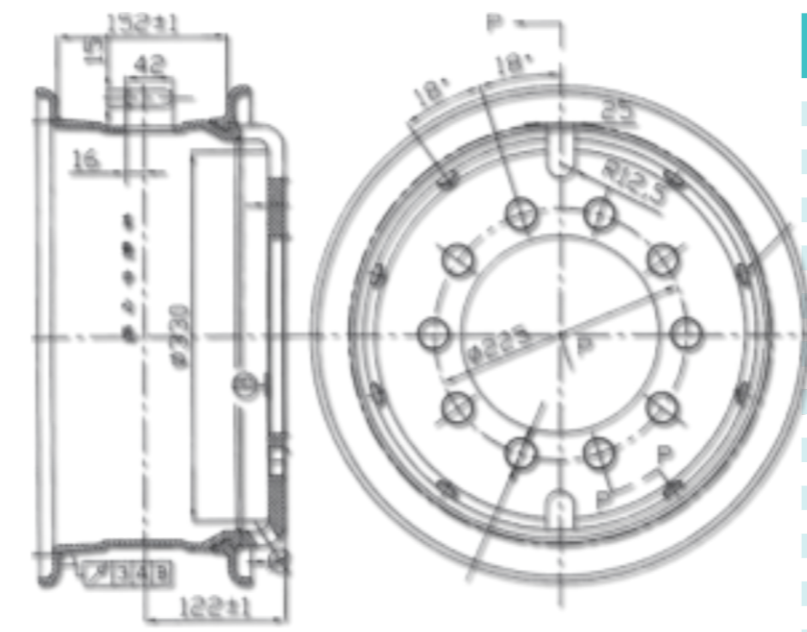
Forklift/Industrial/Low loaders Series



15"
16"

Dia.	Rim Size	Fitted tyre	Stud Holes		PC Dia.	Center Hole Dia.	Offset/ET.	Thickness		Model No.
			No.	Dia.				Rim	Disc	
15"	6.00GS-15	7.50-15	10	26	225	176	123		12	803404047
	6.00GS-15	7.50-15	32	10	225	171	123		12	803404048
	6.50-15	8.25-15	6	32	220	165	77		12	803404049
	6.50-15	8.25-15	6	32	250	200	74		12	803404050
	6.50-15	8.25-15	10	32	290	240	135		12	803404051
	6.50-15	8.25-15	8	32	290	240	135		12	803404052
	6.50-15	8.25-15	8	21.5	230	190	135		12	803404053
	6.50-15	8.25-15	10	26	255	176	139		12	803404054
	6.50-15	8.25-15	6	32	222	161	-10		12	803404055
	6.50-15	8.25-15	8	32	290	240	128.5		12	803404056
	6.50-15	8.25-15	8	32	260	199	33		12	803404057
	6.50-15	8.25-15	6	32	222	162	78		12	803404058
	7.00F-15	28X9-15	6	32	200	150	77		10	803404059
	7.00F-15	28X9-15	5	21.5	225	180	-5		10	803404060
	7.00F-15	28X9-15	6	23	220	180	-20		10	803404061
	7.00F-15	28X9-15	8	26	210	165	0		10	803404062
	7.00F-15	28X9-15	6	32	220	170	0		10	803404063
	7.00F-15	28X9-15	8	26	190	145	0		10	803404064
	7.50V-15	250-15	8	32	200	150	0		12	803404065
	7.50V-15	250-15	6	24	250	200	70		12	803404066
8.00V-15	300-15	6	32	250	200	90		10	803404067	
8.00V-15	300-15	6	32	222	165	70		12	803404068	
9.00-15	315/70-15	8	24	275	221	15		12	803404069	
9.75-15	355/65-15	10	26	225	176	25		12	803404070	
11.00-15	22X13-15	10	26	225	175	-7		12	803404071	
16"	6.50-16	8.25-16	6	Φ32	220	165	77		12	803404072
	7.00F-16	9.00-16	5	21.5	225	178	0		12	803404073
	7.00F-16	9.00-16	5	21.5	225	178	135		12	803404074
	7.00F-16	9.00-16	6	32	260	200	82		12	803404075
	8.25x16.5	10.00-16.5	5		140	94	0			803404076
8.25x16.5	10.00-16.5	6		205	161	0			803404077	
8.25x16.5	10.00-16.5	8		203.2	152.4	0			803404078	

Forklift/Industrial/Low loaders Series

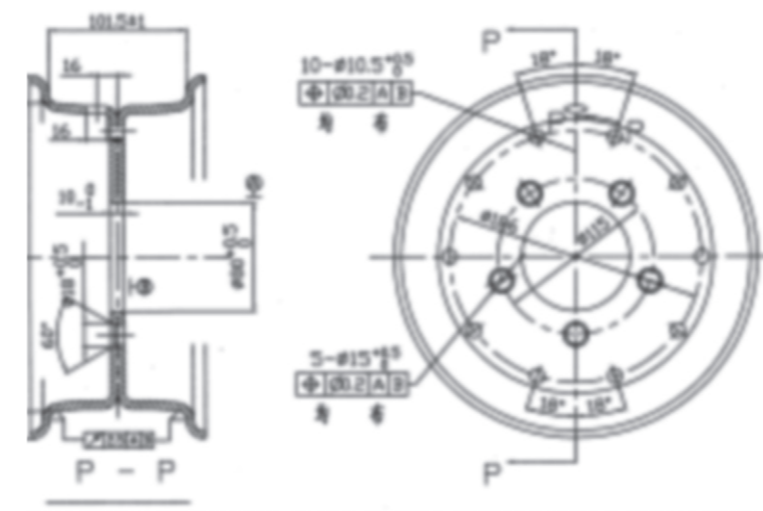
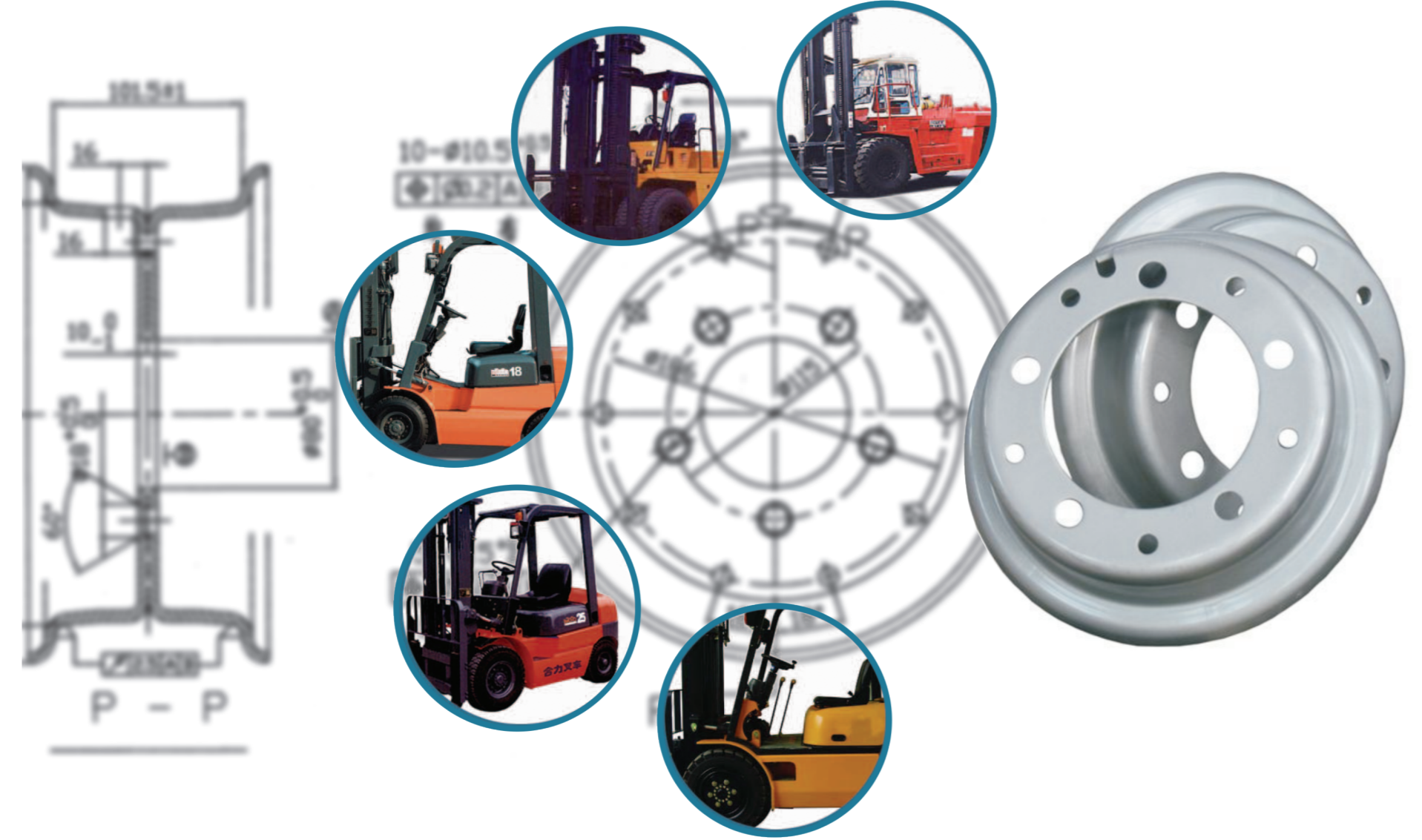


16.5"
18"
20"
24"

Dia.	Rim Size	Fitted tyre	Stud Holes		PC Dia.	Center Hole Dia.	Offset/ET.	Thickness		Model No.
			No.	Dia.				Rim	Disc	
16.5"	9.75x16.5	12.00-16.5	6		205	161	0			803404079
	9.75x16.5	12.00-16.5	8		203.2	152.4	0			803404080
	9.75x16.5	12.00-16.5	8		275	221.25	-13			803404081
	12.00x16.5	33/15.50-16.5	9		241.3	201.6	0			803404082
	12.00x16.5	33/15.50-16.5	8		203.2	152.4	11			803404083
18"	7.00-18		8	17	203.2	153	0		12	803404084
	6.50-20	8.25-20	6	32	415	355	125		12	803404085
20"	6.50-20	8.25-20	8	32	380	324	125		12	803404086
	6.50-20	8.25-20	10	32	290	240	138.5		12	803404087
	7.00F-20	9.00-20	8	32	404	353	135		12	803404088
	7.00F-20	9.00-20	10	32	415	335	157		12	803404089
	7.00F-20	9.00-20	8	32	390	340	143		12	803404090
	7.00F-20	9.00-20	10	32	335	281	30		12	803404091
	7.50V-20	10.00-20	8	23	Φ335	Φ281	0		12	803404092
	8.00-20	12.00R20	8	17.2	203.2	153	-34		12	803404093
	8.00-20	12.00R20	10	20.5	275	221	21.6		12	803404094
	8.00-20	12.00R20	10	26	335	281	102		12	803404095
	8.50-20	12.00-20	16	23	335	281	33.3		12	803404096
	8.50-20	12.00-20	10	24	370	320	187		12	803404097
	10.00-20	14.00-20	9	26	335	281	70		16	803404098
	11.00-20	15.00-20	10	18	242	202	-40		16	803404099
24"	8.50-24	12.00R24	8	30	335	281	0		16	803404100
	8.50-24	12.00R24	16	27	275	221	0		16	803404101
	8.50-24	12.00R24	12	26	400	350	200		16	803404102
	10.00-24	14.00-24	10	24	425	371	195		16	803404103
	10.00-24	14.00-24	24	26	335	281	0		16	803404104
				26	425	371	198		16	803404105
3PC	4.33R-8	18X7-8	6	14.5	148	110	0	6	15	803404106
4PC	5.00F-10	6.5-10	6	13.5	139	110	0	6	12	803404107
4PC	5.00S-12	7.00-12	8	31.5	190	145	70	6	12	803404108



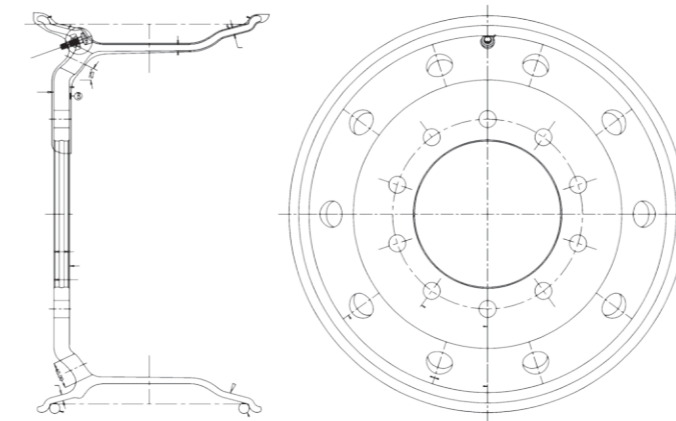
■ Forklift Split Wheel Rim



8"
9"
10"
12"

Dia.	Rim Size	Fitted tyre	Stud Holes		PC Dia.	Center Hole Dia.	Offset/ET.	Thickness		Model No.
			No.	Dia.				Rim	Disc	
8"	2.50C-8	4.00-8	4	10.5	110	70		3		803404074
	3.00D-8	4.00-8	6	14.5	148	106	0	4		803404075
	3.00D-8	4.00-8	6	15	125	100	0	5		803404076
	3.00D-8	5.00-8	6	14.5	148		0	5		803404077
	3.50D-8	5.00-8	6	15	125		0	5		803404078
	4.33R-8	18X7-8	6	13.2	148		0	4		803404079
	4.33R-8	18X7-8	5	18.5	145	110	25	10		803404080
	4.33R-8	18X7-8	6	14.5	148	110	15	9		803404081
9"	3.00D-8	15X4 1/2-8	5	18.5	114.3	80	27	10		803404082
	5.5x8	16x6.5-8	4	14	101.6	72	22	5		803404083
	3.50W-9		6	16.8	166		0	6		803404084
	3.70R-9		6	17	175	140	0	5		803404085
	4.00E-9	6.00-9	8	16	160		0	5		803404086
	4.00E-9	6.00-9	6	17	170	140	0	5		803404087
	4.00E-9	6.00-9	6	18	170	140	0	5		803404088
	4.00E-9	6.00-9	6	17.5	180		0	5		803404089
	4.33R-9	7.00-9	6	16.5	145	105	0	4		803404090
	4.33R-9	7.00-9	6	16.5	145	105	0	5		803404091
10"	5.00S-9	7.00-9	6	16.5	170		0	5		803404092
	5.00F-10	6.50-10	5	21.5	160	110	9	10		803404093
	6.50-10	200/50-10	5	21.5	160	110	54	10		803404094
	6.50-10	200/50-10	5	18.5	145	110	7.5	10		803404095
	5.00F-10	6.5-10	8	16	160	130	0	5		803404096
	5.00F-10	6.5-10	6	17.5	180	150	0	5		803404097
	5.00F-10	6.5-10	6	17.5	180	150	0	6		803404098
	5.00F-10	6.5-10	6	13.5	139	110	0	12		803404099
	5.00S-12	8.25-12	14	16	210	178	60	10		803404100
	4.50E-12	5.50-12	4	17	170	135	0	3		803404101
12"	5.00S-12	7.00-12	6	14.5	180	150	0	5		803404102
	5.00S-12	7.00-12	6	32	220	151	0	6		803404103
	5.00S-12	7.00-12	6	27	200	150	0	6		803404104
	5.00S-12	7.00-12	5	32	210	158	0	6		803404105
	5.00S-12	7.00-12	6	27	220	170	0	6		803404106
	5.00S-12	7.00-12	8	27	190	145	70	12		803404107
	5.00E-12		4	17	170	135	0	6		803404108
	6.50F-12	8.25-12	8	14	186	155	0	6		803404109
	6.50F-12	8.25-12	5	32	225	180	0	6		803404110
	8.00G-12	27X10-12	6	27	200	150	0	6		803404111
	8.0-12	27X10-12	10	26	225	176	-6	10		803404112

■ Forged alloy truck wheels



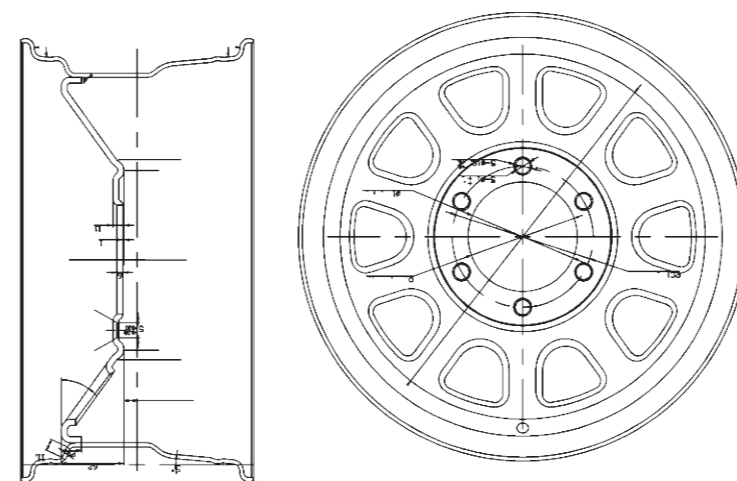
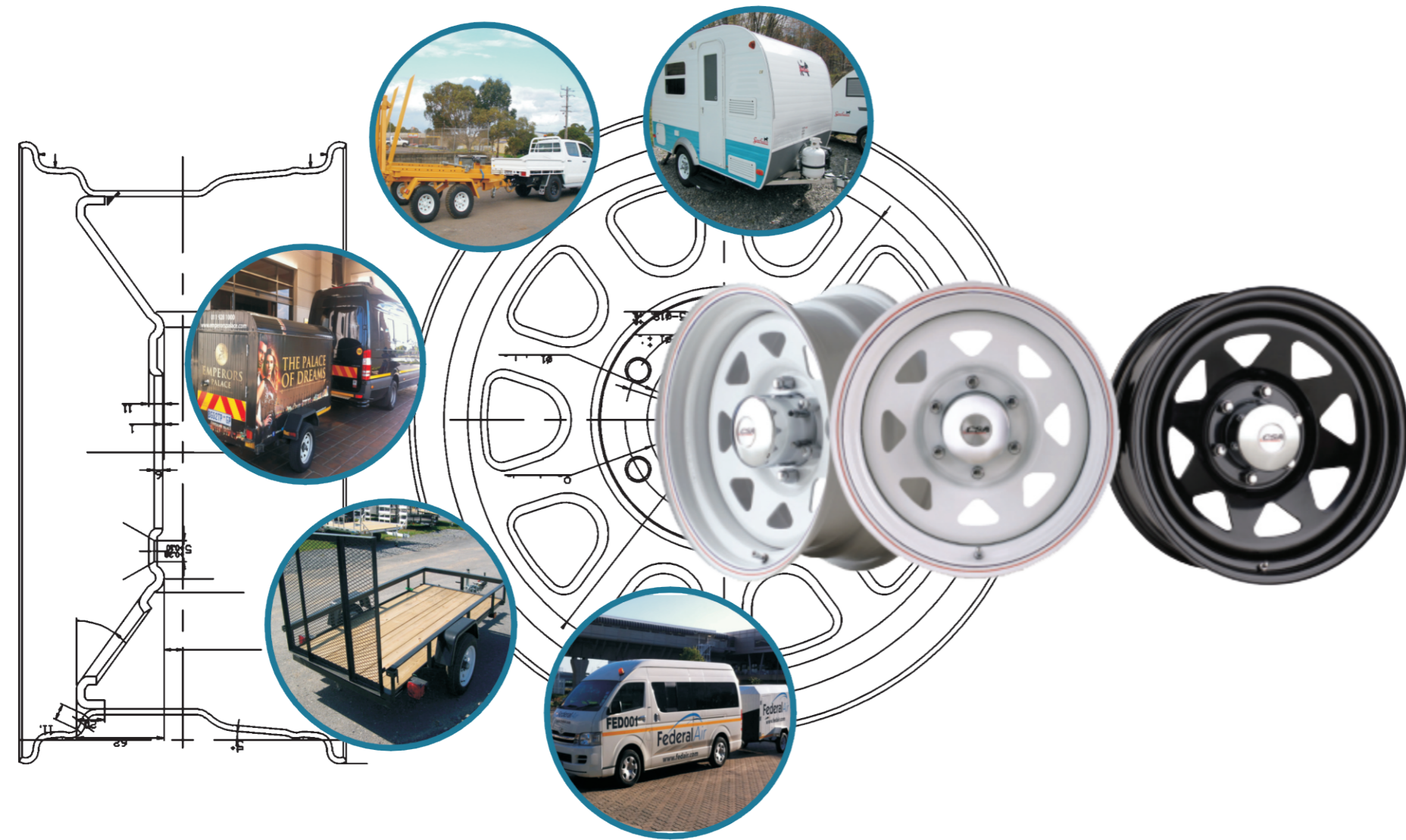
▶▶ 17.5"
19.5"
22.5"
24.5"

- Be approved by**
- American Smithers Papra Certification
 - German TUV Certification
 - Brazilian INMETRO Certification
 - American DOT Certification

Dia.	Rim Size	Fitted tyre	Stud Holes		PC Dia.	Center Hole Dia.	Offset/ET.	Thickness		Model No.
			No.	Dia.				Rim	Disc	
17.5	17.5x6.00	215/75R17.5	5	24	203	146	115			803407621
	17.5x6.00	215/75R17.5	5	32.5	208	150	115			803407622
	17.5x6.00	8R17.5	6	24	222.25	164	115			803407623
	17.5x6.00	8R17.5	10	26	225	176	115			803407624
	17.5x6.75	9R17.5	6	32.5	222.25	164	140			803407625
	17.5x6.75	9R17.5	6	26	245	202.2	140			803407626
19.5	17.5x6.75	9R17.5	10	26	225	176	140			803407627
	19.5x6.75	245/70R19.5	8	24	275	221	140			803407628
	19.5x6.75	245/70R19.5	8	32.5	275	221.1	140			803407629
	19.5x7.50	265/70R19.5	8	24	275	221	155			803407630
	19.5x7.50	265/70R19.5	8	26	275	221	155			803407631
	19.5x7.50	265/70R19.5	8	32.5	275	221	155			803407632
22.5	19.5x7.50	265/70R19.5	10	26	285.75	220	155			803407633
	22.5x8.25	11R22.5	8	32.5	275	221	168			803407634
	22.5x8.25	11R22.5	10	26	285.75	220	168			803407635
	22.5x8.25	11R22.5	10	32.5	285.75	220	168			803407636
	22.5x8.25	295/80R22.5	10	26	335	281	168			803407637
	22.5x8.25	295/80R22.5	10	32.5	335	281	168			803407638
	22.5x9.00	12R22.5	10	26	285.75	220	175			803407639
	22.5x9.00	12R22.5	10	32.5	285.75	220	175			803407640
	22.5x9.00	315/80R22.5	10	26	335	281	175			803407641
	22.5x9.00	315/80R22.5	10	32.5	335	281	175			803407642
	22.5x11.75	385/65R22.5	10	26	285.75	220	120			803407643
	22.5x11.75	385/65R22.5	10	32.5	285.75	220	120			803407644
24.5	22.5x11.75	385/65R22.5	10	26	335	281	120			803407645
	22.5x11.75	385/65R22.5	10	32.5	335	281	120			803407646
	22.5x13.00	425/65R22.5	10	26	285.75	220	75			803407647
	22.5x13.00	425/65R22.5	10	26	335	281	75			803407648
	22.5x14.00	445/65R22.5	10	26	285.75	220	85			803407649
	22.5x14.00	445/50R22.5	10	32.5	285.75	220	85			803407650
	22.5x14.00	18R22.5	10	26	335	281	85			803407651
	24.5x8.25	11R24.5	10	26	285.75	220	168			803407652
	24.5x8.25	11R24.5	10	32.5	285.75	220	168			803407653
	24.5x8.25	11R24.5	10	26	335	281	168			803407654
24.5x8.25	11R24.5	10	32.5	335	281	156			803407655	

Finish: MACHINED, POLISHED INSIDE, POLISHED OUTSIDE, POLISHED BOTH SIDES
Mark: the fitted tyres are also available

Small Trailers wheels, 4x4 wheels, etc.



12"
13"
14"
15"
16"
17"

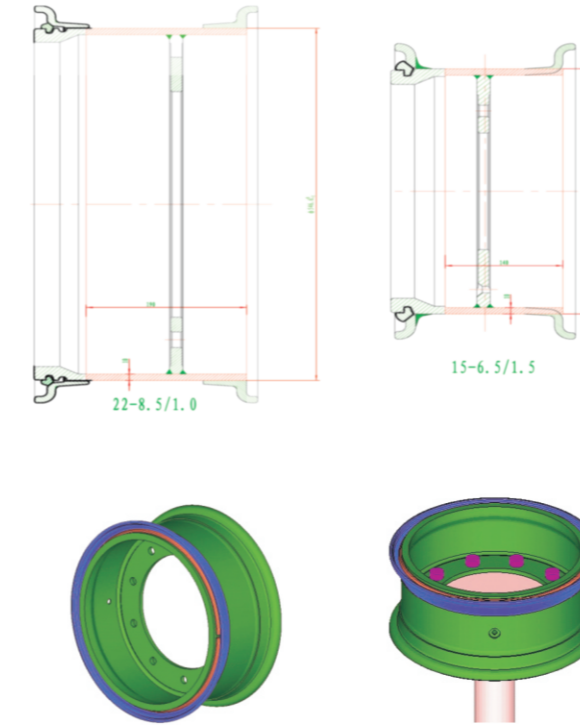
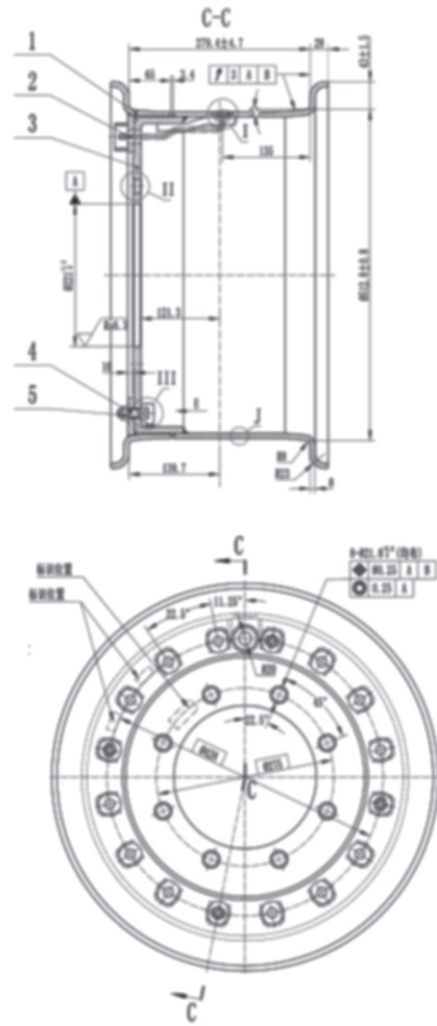
Dia.	Rim Size	Fitted tyre	Stud Holes		PC Dia.	Center Hole Dia.	Offset/ET.	Thickness		Model No.
			No.	Dia.				Rim	Disc	
12"	12x4	ST145R12	4	Φ15	Φ100	Φ 68	0	3.5	5	803406211
13"	13x4.5	ST175/80R13	4	Φ15	Φ100	Φ 68	0	3.5	5	803406212
	13x4.5	ST175/80R13	5	Φ15	Φ108	Φ 75	0	3.5	5	803406213
	13x4.5	ST175/80R13	5	Φ15	Φ114.3	Φ 81	0	3.5	5	803406214
14"	13x5.5	ST185/80R13	5	Φ15	Φ114.3	Φ 75	11	3.5	5	803406215
	13x5.5	ST185/80R13	5	Φ15	Φ108	Φ 75	0	3.5	5	803406216
	14x5	ST205/75R14	5	Φ15	Φ108	Φ 75	5	3.5	5	803406217
	14x6	ST215/75R14	5	Φ15	Φ114.3	Φ 81	0	3.5	5	803406218
	14x6	ST215/75R14	6	Φ15	Φ139.7	Φ 108.7	14	3.5	5	803406219
	14x6	ST215/75R14	6	Φ15	Φ139.7	Φ 110	8	3.5	5	803406220
15"	14x6	ST215/75R14	5	Φ15	Φ120.65	Φ 84	5	3.5	5	803406221
	14x6	ST215/75R14	5	Φ15	Φ114.3	Φ 84	5	3.5	5	803406222
	14x6	ST215/75R14	5	Φ15	Φ108	Φ 75	5	3.5	5	803406223
	14x7	ST235/60R14	5	Φ15	Φ114.3	Φ 84.3	5	3.5	5	803406224
	15x5	ST205/75R15	5	Φ15	Φ114.3	Φ 84	0	3.5	5	803406225
	15x5	ST205/75R15	5	Φ15	Φ127	Φ 84	0	3.5	5	803406226
	15x6	ST225/75R15	6	Φ15	Φ139.7	Φ 108.7	0	3.5	5	803406227
	15x6	ST225/75R15	5	Φ15	Φ114.3	Φ 84	0	3.5	5	803406228
	15x7	ST235/75R15	5	Φ15	Φ114.3	Φ 75	-25	3.5	5	803406229
	15x7	ST235/75R15	5	Φ15	Φ139.7	Φ 108.7	10	3.5	5	803406230
16"	15x7	ST235/75R15	6	Φ15	Φ139.7	Φ 110	-3	3.5	5	803406231
	15x8	ST235/75R15	6	Φ15	Φ139.7	Φ 111	-20	3.5	5	803406232
	15x8	ST235/75R15	5	Φ15	Φ114.3	Φ 84	-26	3.5	5	803406233
	15x10	ST235/75R15	5	Φ15	Φ114.3	Φ 84	-38	3.5	5	803406234
	15x10	ST235/75R15	6	Φ15	Φ139.7	Φ 110	58	3.5	5	803406235
	16x6	ST235/80R16	6	Φ15	Φ139.7	Φ 108.7	0	4	6	803406236
	16x6	ST235/80R16	8	Φ15	Φ165.1	Φ 130.8	0	4	6	803406237
	16x7	ST245/75R16	5	Φ15	Φ150	Φ 112	0	4	6	803406238
	16x7	ST245/75R16	6	Φ15	Φ139.7	Φ 111	13/30	4	6	803406239
	16x8	ST285/75R16	5	Φ15	Φ150	Φ 111	0	4	6	803406240
17"	16x8	ST285/75R16	6	Φ15	Φ139.7	Φ 111	14	4	6	803406241
	16x8	ST285/75R16	8	Φ15	Φ165.1	Φ 130.8	20	4	6	803406242
	16x10	ST365/75R16	5	Φ15	Φ150	Φ 111	0/8	4	6	803406243
	16x10	ST365/75R16	6	Φ15	Φ139.7	Φ 111	28	4	6	803406244
	16x10	ST365/75R16	8	Φ15	Φ165.1	Φ 130.8	35	4	6	803406245
	17x8	ST285/75R17	5	Φ17	Φ150	Φ 111	0	4	6	803406246
17"	17x8	ST285/75R17	6	Φ17	Φ139.7	Φ 111	25/40	4	6	803406247
	17x9	ST285/75R17	5	Φ17	Φ150	Φ 111	0	4	6	803406248
	17x9	ST285/75R17	6	Φ17	Φ139.7	Φ 111	25/40	4	6	803406249

Finish: BLACK, WHITE, GALVANISED

Mark: the fitted tyres are also available

■ SPECIAL APPLICATIONS

■ SPECIAL APPLICATIONS



WHEELS FOR MILITARY VEHICLES

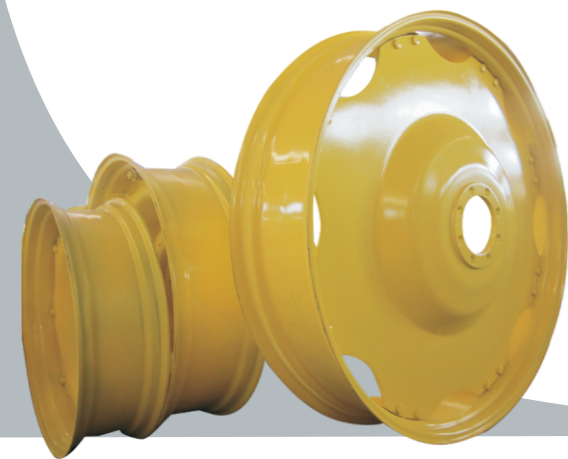
WHEELS FOR MONORAIL TRAINS



NEW RELEASED WHEELS

NARROW ROW CROP WHEELS

Available wheel Width in 7",8",9",10",11",12"... & Diameter in 24",28",32",36",38",40",42",44",46",48",50",52",54"...



NEW RELEASED WHEELS

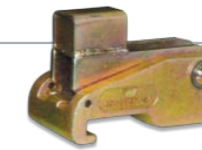
DMS TRACTOR WHEELS—coming soon

Dual mounting system – mounted on the tractor wheel

- Easy to maintain and service
- Easy to mount and demount
- Attached rim and drum for easy handling
- Painted in the original colour of the tractor

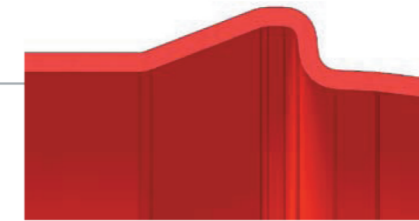
Number of clamps

Tractors up to 250 hp	4 clamps
Tractors over 250 hp	6 clamps

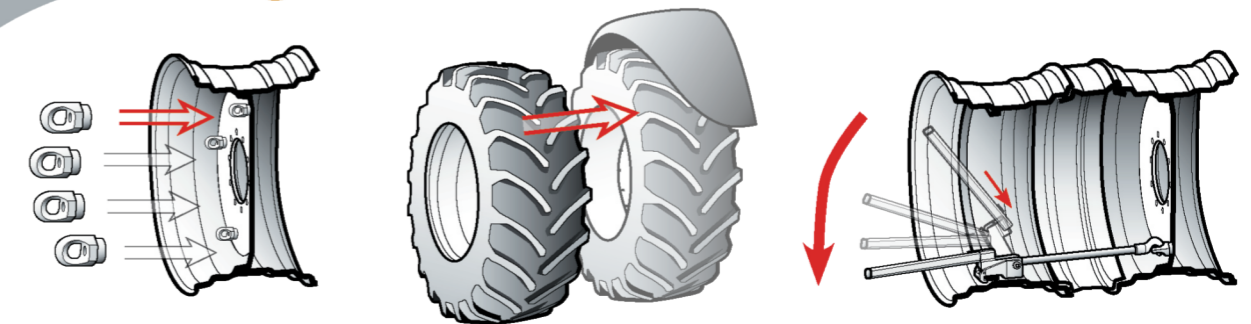


Drum profile

The unique profile of the DU0500 drum makes it suitable for most rim brands and also facilitates very easy mounting. The drum will not stick to the tractor rim.



Mounting



1 Fasten the nuts

2 Align the dual wheel

3 Put the hook in the ring nut and the clamp over the clamping and lock the device

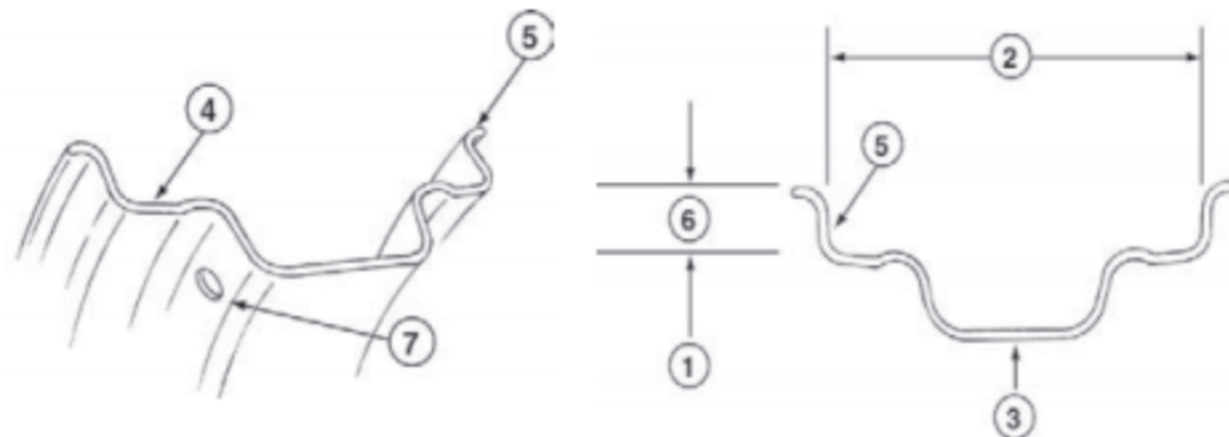


GENERAL INFORMATION AND TECHNICAL EXPLANATION

Identification/Terminology

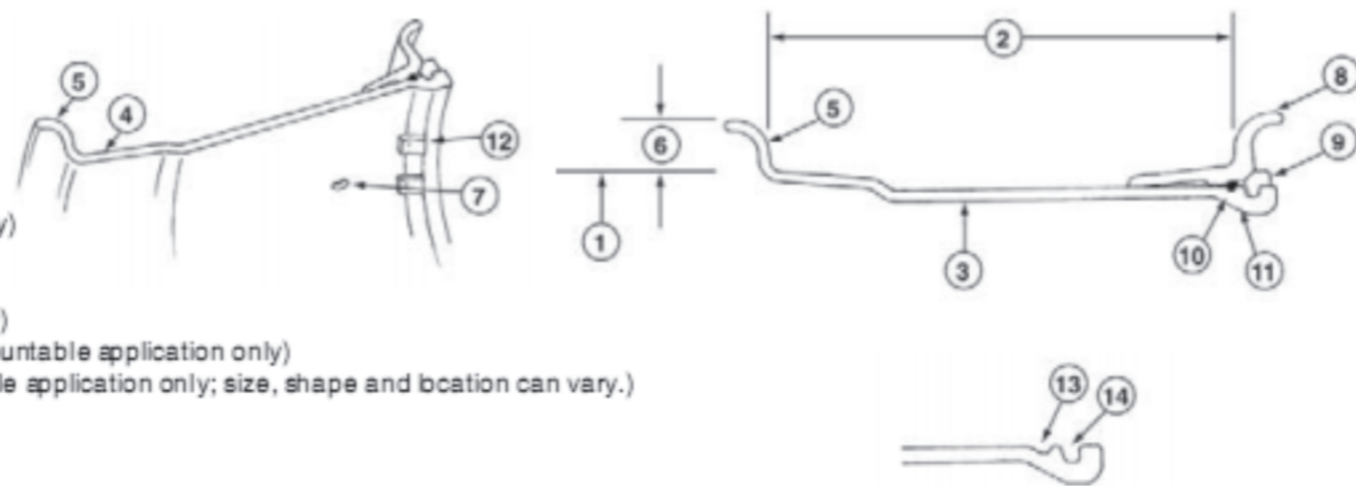
Single-Piece Rims

1. Rim Size (Nom. Bead Seat Dia.)
2. Rim Width
3. Rim Inside Dia.
4. Bead Seat Area
5. Flange
6. Flange Height
7. Valve Hole (Location and size can vary)



Multi-Piece Rims (3-Piece Type)

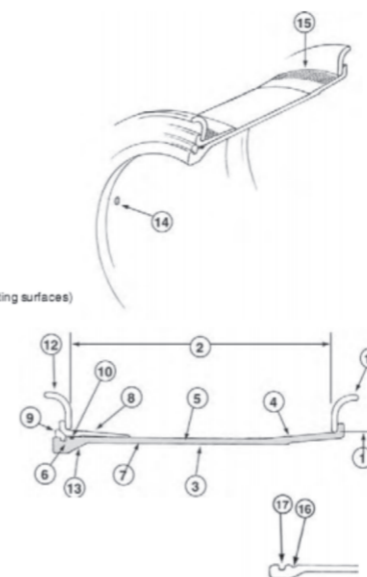
1. Rim Size (Nom. Bead Seat Dia.)
2. Rim Width
3. Rim Inside Dia.
4. Bead Seat Area
5. Flange-Fixed
6. Flange Height
7. Valve Hole (Location and size can vary)
8. Flange-Removable (Side Ring)
9. Lock Ring
10. O-Ring (For tubeless application only)
11. 28° Mounting Bevel (utilized for demountable application only)
12. Rim Stop Plate (Used for demountable application only; size, shape and location can vary.)
13. O-Ring Groove
14. Lock Ring Groove
15. Gutter portion of rim



Identification/Terminology

Multi-Piece Rims (5-Piece Type)

1. Rim Size (Bead Seat Dia.)
2. Rim Width
3. Rim Inside Dia.
4. Back Flange Portion of Rim Base
5. Center Band Portion of Rim Base
6. Gutter Band Portion of Rim Base
7. Rim Base (Entire Shaded Area)
8. Bead Seat Band (Removable, Gutter Side only)
9. Lock Ring
10. O-Ring
11. Flange, Inner (Removable)
12. Flange, Outer (Removable) *Note: Inner and Outer Flanges are identical
13. 28° Mounting Bevel (Utilized for demountable application only)
14. Valve Hole (Location, size and configuration can vary)
15. Khurl (Located on Back Flange Portion of Rim Base and Bead Seat Band fire mating surfaces)
16. O-Ring Groove
17. Lock Ring Groove (size and shape can vary depending on style of lock ring)
18. Pry Bar Pocket (continuous gap entire circumference on some items)

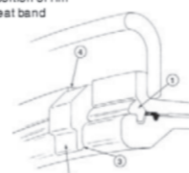


Identification/Terminology

Multi-Piece Rims (5-Piece Type)

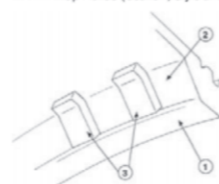
Crimped on Style Driver

1. Lock Ring
2. Crimped on driver
3. Notch in gutter portion of rim
4. Notch in bead seat band



Demountable Type Rims

1. Gutter Portion of Rim Base
2. 28° Mounting Bevel
3. Rim Stop Plates (location, style and size can vary)



Loose Style Driver

1. Driver Pocket (Welded on gutter portion of rim base)
2. Driver Pocket (Welded on bead seat band)
3. Driver Key



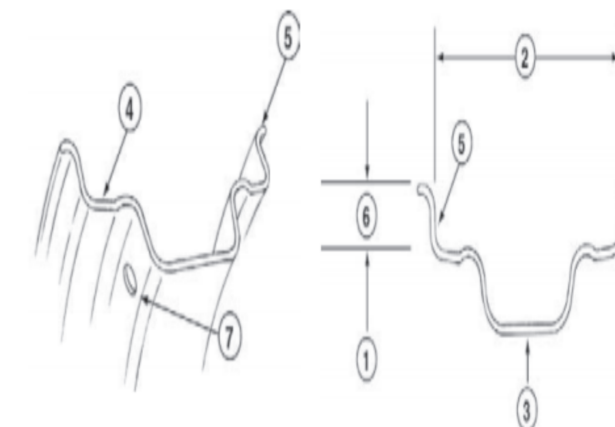
Valve Hole Styles



Wheel Information Identification/Terminology

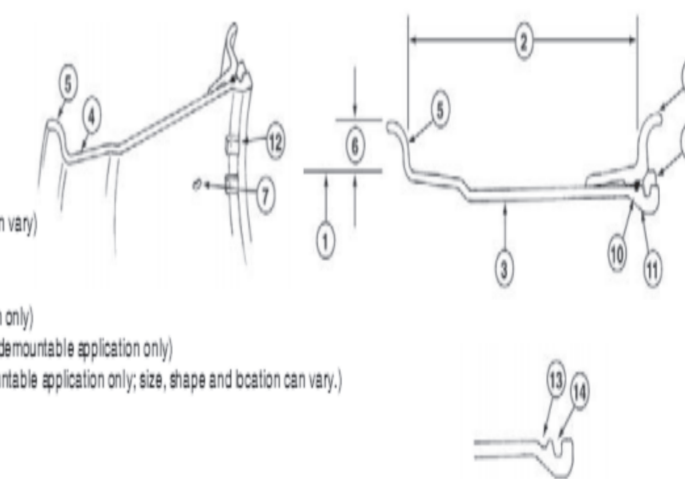
Single-Piece Rims

1. Rim Size (Nom. Bead Seat Dia.)
2. Rim Width
3. Rim Inside Dia.
4. Bead Seat Area
5. Flange
6. Flange Height
7. Valve Hole (Location and size can vary)



Multi-Piece Rims (3-Piece Type)

1. Rim Size (Nom. Bead Seat Dia.)
2. Rim Width
3. Rim Inside Dia.
4. Bead Seat Area
5. Flange-Fixed
6. Flange Height
7. Valve Hole (Location and size can vary)
8. Flange-Removable (Side Ring)
9. Lock Ring
10. O-Ring (For tubeless application only)
11. 28° Mounting Bevel (utilized for demountable application only)
12. Rim Stop Plate (Used for demountable application only; size, shape and location can vary.)
13. O-Ring Groove
14. Lock Ring Groove
15. Gutter portion of rim





GENERAL INFORMATION AND TECHNICAL EXPLANATION

Glossary and information

8.00x15.5 - Rim 8" wide and 15.5" in diameter

W12x24 - Rim without drop centre

DW20Ax34 - Rim with drop centre and a high rim flange (A).
The disc is welded into the drop centre.

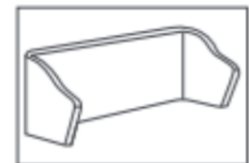
DW16Lx38 - Rim with drop centre and a low rim flange (L).
The disc is welded into the drop centre.

Valve protection

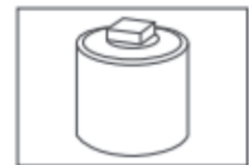
Valve guard is used when there is a risk that the valve will be damaged.



Valve guard, type **V1**. Normal area of application is on wheels intended for use in agriculture. V1 valve guard fits rims up to 26.5".



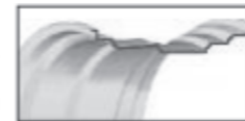
Valve guard, type **V2**. Fits wheels of 30" in diameter and upwards. Its normal area of application is on rims intended for use in agriculture. This type of valve guard is necessary if a S&S dual-mounting is being used.



Valve guard, type **V3**. To be used when there is a greater possibility of impact. This style of valve guard fits all forestry and agricultural wheels. Its normal area of application is on forestry and construction equipment.

Reinforcement

Big machines in heavy duty applications frequently face great stress. To handle this you reinforce the flange. The reinforcements also protect against direct impacts on the edge of the wheel.



Rim (R0)
R0 means that this rim has no reinforcement.



19 inches reinforcement (R1)
This protects the rim edge against impact and damage, and makes it possible for the rim to carry a larger load.



Box reinforcement (R2)
Protects against impact. In addition, the inside of the rim has a design that prevents dirt and mud from collecting and sticking. This reinforcement produces an extremely strong rim - suitable for the toughest jobs.



Flat bar reinforcement (R3)
Protects the edge from impact and damage, this reinforcement can be used in several tough conditions.

Knurling

The grooved section of the rim where the tire bead rests on a 5° and 15° rim. The purpose of knurling is to counteract the tendency for the tire to slip on the rim.



Hump

An extra bend just inside the bead seat. The hump facilitates driving at low air pressure, holding the tire in place.



SAFETY & MOUNTING RECOMMENDATIONS

It is important to handle wheels with maximum care, and pay special attention to its safe usage, mounting, demounting and service. Users have to follow all conditions and norms according to industry, national and international regulations. As J&G we will try to point out just those which we consider as the most common and important.

Before servicing, disc wheels have to be checked for following possible damages:

1. Cracks on the disc and/or rim
2. Asymmetric shape of disc contact surface
3. Deformed (damage, burr, excessive corrosion etc) stud holes
4. Deformed (damage, burr, excessive corrosion etc) flange
5. Excessive corrosion
6. Excessive wear
7. Damaged rings of multi-piece wheels.

Using wheels/components under these conditions is strictly forbidden. Damaged parts should be replaced.

While mounting the wheel on a hub you have to ensure that all surfaces are clean, free from rust and deposits. Elements of different mounting types should not be confused, since this may result in loss of torque, disc surface cracks, bolts and studs damage, and loss of wheel. Applied torque level should correspond to instructions of vehicle manufacture. Nuts installation has to be done crosswise, with gradual increase of torque level. Tightening of nuts on the wheel has to be checked 100km after first installation and regularly during usage.

Mounting and demounting of tire on the wheels has to be done by qualified personnel in well-equipped service points, according to specifications and procedures stipulated by ETRTO, TRA and other industry, national and international regulations. You have to ensure that all surfaces are clean, free from rust and deposits. It is crucial to match properly wheel and tire sizes according to above mentioned standards and recommendations of the vehicle manufacturer. Mismatch can result in serious damages and injuries. Diameter shown on the tire should exactly match the diameter stamped on the rim/wheel. Tires must be completely deflated before demounting wheel, or components of the wheel from the vehicle. Avoid standing in front of multi-piece wheels during assembly: damaged components might spring off.

Mixing components of various manufactures may result in fatal injuries, therefore only matching parts of one manufacture and one wheel system can be assembled.

Repair or of steel wheels is strictly prohibited.

Especially dangerous is:

1. Welding of rims or wheels
2. Repair of damaged stud holes
3. Repair of deformed center hole
4. Straightening of disc contact surface
5. Straightening of rim flanges

WARRANTY POLICY

▲ J&G warranties that delivered goods are free from defects in materials and workmanship and are produced according to provided technical documentation.

▲ The buyer should examine goods immediately upon receipt and advise Seller, in writing of any discrepancy in terms of numbers or quality. Failure to advise Seller within 10 days would presume goods to be acceptable.

▲ Normal wear is not covered under warranty. The warranty also does not cover damage resulting from improper handling of products, for example overloading above the capacities specified or violating standards stipulated by ETRTO (European Tyre and Rim Technical Organization) and TRA (Tire & Rim Association) or using tires which do not correspond to both standards.

▲ J&G has no obligation under warranty for goods if they were modified, or processed (including welding of disc to rim, drilling of stud holes, mechanical processing of surface, etc.). Repair of steel wheels and their components is strictly prohibited.

▲ J&G has no obligation under warranty for goods if spare parts produced by other manufacturers are used with them.

▲ The onus for submitting a claim together with corroborative evidence is the sole responsibility of the Buyer. This includes: proving presence of defect itself on exact J&G products, the fact that defect appeared within warranty period of exact products, the fact that notification of defect was sent on time. Under request of J&G, the Buyer should be able provide proves that products was working according to conditions recommended by ETRTO, TRA and/or J&G.

▲ J&G warranties that proven defects will be corrected either through replacement of goods or through compensation of their EXW price at the moment of initial delivery of goods.

▲ The Buyer is obligated to store in good conditions all claimed wheels and to provide samples of defective wheels or wheels which are deemed to be claimed by the Buyer upon request from J&G.