

**TIRES • WHEELS**

**QINGDAO J&G INTERNATIONAL TRADING CO., LTD**

Office address:

Room 3-B-1004, Hisense Powerise Valley, No. 20 Zhuzhou Road, Qingdao, P.R.China 266100

Tel: 86-0532-80995165 Mobile: 18678910034 13864800220

Fax: 86-0532-80995336

E-mail: dean@qdjggroup.com

Warehouse address:

Dayao road, Qingdao Economical Technical Development zone, in Qingdao city, P.R. China

[www.qdjggroup.com](http://www.qdjggroup.com)



**QINGDAO J&G INTERNATIONAL TRADING CO., LTD**

Since 2005

# CATALOGUE

## 01 Tyres/Tires & wheel assemblies

Agricultural Implement and trailers tyres.....	04
Balers, spreaders, feed mixers(TMR) and trailers tyres.....	05
Flotation trailers, spreaders, tanker bins,etc Bias tyres.....	06
Flotation and Implement Radial tyre.....	07
Forestry LS-2 steelflex and Terra flotation tyres.....	08
Harvesters Radial and Bias tyres R-1W.....	09
Tractor Radial tyres, and Row Crops.....	10
Tractor Bias rear and front tyres, and Irrigations.....	11-12
Farm implement (I-1)(I-1 FI) tyres.....	13
Speciality Tyres for wheel loaders,skid steers,excavators,backhoes,Compactors, Trenchers.....	14
Agro-Industrial and Multi Purpose (MPT) Tyres.....	15
ATV & Turf, Lawn and Garden tyres and wheel assembly.....	16
Smally Trailer (ST) tyres and wheel assembly.....	17
Commercial Truck/Buses, and trailers (TBR) Radial tyres.....	18
Off the Road / Earthmover (OTR) Bias and Radial tyres.....	19
Information of tyres.....	20

## 02 Steel wheels

Wheels for Agricultural applications (Tractors, Foresters, Harvesters, implements and Trailers, etc... ) .....	22-23
Wheels for commercial vehicles (Trucks, Buses, Trailers, etc ... ).....	24-25
Wheels for Industrial machines (Cranes, Loaders, Graders, Excavators, Bulldozers, Forklifts, etc... ).....	26
Wheels for construction and earthmover equipments in Multi Pieces.....	28-29
Wheel components (semi-produced).....	30
Information of our MULTISTAR wheels.....	31-33

## 03 More range and brands

## 04 Exhibitions

## 05 Sales Network

## TYRE PATTERN

### Agricultural farm tyre patterns



### Agro-industrial and Multi-purpose tyre patterns



### Forestry and Terra tyre patterns



### Radial Truck/bus and Trailer tyre patterns





### Tyre/Tires & Wheel assemblies



*Our wheel assemblies have OEM approval!*

### Agricultural Implement and Trailers



IMP-01    IMP-04    TRC-02    IMP-05    IMP-07

Tyre Size	Pattern	Type	Ply Rating	Tyre				Wheel							Model No.	
				Unloaded inflated OD. x SW.	Max. Load (kg)	Pressure	Speed	Rim Size	Stud Holes			Center Hole Dia.	Offset /ET.	Thickness		
									No.	Dia.	PC Dia.			Rim	Disc	
7.00-12	IMP-01	TL	6	665x185mm	690	7.5bar	40km/h	5.00x12	5	∅18.5	∅140	∅94	0	4	7	775230100
10.0/80-12	IMP-01	TL	10	710x264mm	1450	5.4bar	40km/h	7.00x12	6	∅21.5	∅205	∅161	0	4	8	775230101
10.0/75-15.3	IMP-01	TL	10	760x274mm	1550	5.2bar	40km/h	9.00x15.3	6	∅21.5	∅205	∅161	0/-20/-50	4	8	775230102
10.0/75-15.3	IMP-01	TL	12	760x274mm	1700	6.4bar	40km/h	9.00x15.3	6	∅21.5	∅205	∅161	0/-20/-50	4	8	775230103
10.0/75-15.3	IMP-01	TL	14	760x274mm	1900	7.1bar	40km/h	9.00x15.3	6	∅21.5	∅205	∅161	0/-20/-50	4	8	775230104
10.0/75-15.3	IMP-01	TL	16	760x274mm	2060	7.1bar	40km/h	9.00x15.3	6	∅21.5	∅205	∅161	0/-20/-50	4	8	775230105
10.0/75-15.3	IMP-01	TL	18	760x274mm	2360	7.1bar	40km/h	9.00x15.3	6	∅21.5	∅205	∅161	0/-20/-50	4	8	775230106
11.5/80-15.3	IMP-01	TL	10	844x297mm	1950	4.6bar	40km/h	9.00x15.3	6	∅21.5	∅205	∅161	0/-20/-50	4	8	775230107
11.5/80-15.3	IMP-01	TL	12	844x297mm	2180	5.6bar	40km/h	9.00x15.3	6	∅21.5	∅205	∅161	0/-20/-50	4	8	775230108
11.5/80-15.3	IMP-01	TL	14	844x297mm	2430	6.5bar	40km/h	9.00x15.3	6	∅21.5	∅205	∅161	0/-20/-50	4	8	775230109
11.5/80-15.3	IMP-01	TL	16	844x297mm	2575	7.1bar	40km/h	9.00x15.3	6	∅21.5	∅205	∅161	0/-20/-50	4	8	775230110
11.5/80-15.3	IMP-01	TL	18	844x297mm	2900	7.1bar	40km/h	9.00x15.3	6	∅21.5	∅205	∅161	0/-20/-50	4	8	775230111
12.5/80-15.3	IMP-01	TL	14	885x312mm	2650	5.8bar	40km/h	9.00x15.3	6	∅21.5	∅205	∅161	0/-20/-50	4	8	775230112
12.5/80-15.3	IMP-01	TL	16	885x312mm	2800	6.5bar	40km/h	9.00x15.3	6	∅21.5	∅205	∅161	0/-20/-50	4	8	775230113
400/60-15.5	IMP-01	TL	14	875x400mm	2725	4.9bar	40km/h	13.00x15.5	6	∅21.5	∅205	∅161	0/-15/-25/-35	5	10	775230114
10.5/65-16	IMP-01	TL	14	755x274mm	1900	7.1bar	40km/h	w8X16	6	∅21.5	∅205	∅161	0	5	10	775230115
14.0/65-16	IMP-05	TL	10	870x353mm	2240	3.7bar	40km/h	11.00X16	6	∅21.5	∅205	∅161	0	5	10	775230116
14.0/65-16	IMP-05	TL	14	870x353mm	2900	5.5bar	40km/h	11.00X16	6	∅21.5	∅205	∅161	0	5	10	775230117
10.5/80-18	IMP-01	TL	10	885x275mm	1950	5.0bar	40km/h	9.00x18	6/8	∅21.5	∅205/∅275	∅161/∅221	0/-20	4	8	775230118
12.5/80-18	IMP-01	TL	12	965x308mm	2650	5.0bar	40km/h	11.00x18	6/8	∅21.5	∅205/∅275	∅161/∅221	0/50	5	10	775230119
12.5/80-18	IMP-01	TL	14	965x308mm	3000	5.9bar	40km/h	11.00x18	6/8	∅21.5	∅205/∅275	∅161/∅221	0/50	5	10	775230120
13.0/65-18	IMP-01	TL	14	890x336mm	2575	5.8bar	40km/h	11.00x18	6/8	∅21.5	∅205/∅275	∅161/∅221	0/50	5	10	775230121
13.0/65-18	IMP-01	TL	16	890x336mm	2800	6.7bar	40km/h	11.00x18	6/8	∅21.5	∅205/∅275	∅161/∅221	0/50	5	10	775230122
15.5/65-18	IMP-07	TL	10	980x395mm	2300	3.5bar	40km/h	13.00x18	6/8	∅21.5	∅205/∅275	∅161/∅221	0/-35/-92	5	10	775230130
400/60-15.5	IMP-04	TL	14	910X400mm	2725	4.9bar	40km/h	13.00X15.5	6	∅21.5	∅205	∅161	0/-15/-25/-35	5	10	775230131
400/60-15.5	TRC-02	TL	14	910X400mm	2900	3.6bar	40km/h	13.00X15.5	6	∅21.5	∅205	∅161	0/-15/-25/-35	5	10	775230132











EXCELLENT QUALITY, ULTIMATE CHOICE



SKS R-1AW I-1 FI

Skid steer, compact tractor, wheel loader, and farm implements(I-1)(I-1 FI)

Tyre										Wheel					Model No.	
Tyre Size	Pattern	Type	Ply Rating	Unloaded inflated OD x SW	Max Load (kg)	Pressure	Speed	Rim Size	Stud Holes			Center Hole Dia.	Offset /ET	Thickness Rim Disc		
									No.	Dia.	PC Dia.					
27x8.5-15	SKS	TL	6	678 x 213	710	3.1bar	15km/h	7JA x 15	6/8	ø32/ø26	ø220/ø190	ø170/ø145	0	10	775231704	
33-12-16.5	S-630	TL	6	840 x 320	1915	2.8bar	50km/h	9.75 x 16.5	6/8	ø20	ø205/ø203.2/ø275	ø161/ø152.4/ø221.25	0/-13	4	775231705	
33X15.5-16.5	S-666	TL	14	865 x 400	490	3.15bar	15km/h	12 x 16.5	8/9	ø20	ø203.2/ø241.3	ø152.4/ø201.6	0/11	4	775231706	
10-16.5	SKS	TL	10	773 x 264	2135	5.2bar	15km/h	8.25 x 16.5	5/6/8	ø15.7	ø140/ø203.2/ø205	ø94/ø152.4/ø161	0	4	775231707	
10-16.5	S-690	TL	10	773 x 264	2135	5.2bar	15km/h	8.25 x 16.5	5/6/8	ø15.7	ø140/ø203.2/ø205	ø94/ø152.4/ø161	0	4	775231708	
12-16.5	SKS	TL	12	831 x 307	2865	5.5bar	15km/h	9.75 x 16.5	6/8	ø20	ø205/ø203.2/ø275	ø161/ø152.4/ø221.25	0/-13	4	775231709	
12-16.5	S-690	TL	12	840 x 310	2865	5.5bar	15km/h	9.75 x 16.5	6/8	ø20	ø205/ø203.2/ø275	ø161/ø152.4/ø221.25	0/-13	4	775231710	
14-17.5	SKS	TL	14	921 x 349	3875	5.5bar	15km/h	10.5 x 17.5	8	ø27	ø275	ø221	60	4	775231711	
15-19.5	SKS	TL	14	1019 x 389	4565	4.85bar	15km/h	11.75 x 19.5	8	ø27	ø275	ø221	60	4	775231712	
16/70-20	M-900	TL	14	1076 x 407	3075	3.5bar	15km/h	14 x 20	8	ø27	ø275	ø221	0	4	775231713	
8.25-20	Excavator	TT	14	992 x 245	2060	6.75bar	15km/h	6.5 x 20	6/8/10	ø32	ø415/ø380/ø290	ø355/ø324/ø240	125/138.5	7	12	775231714
9.00-20	Excavator	TT	14	1030 x 260	2500	7.0bar	15km/h	7 x 20	8/10	ø32	ø404/ø415/ø390/ø335	ø353/ø335/ø340/ø281	135/157/143/30	7	12	775231715
10.00-20	Excavator	TT	16	1062 x 280	300	8.1bar	15km/h	7.5 x 20	8	ø23	ø335	ø281	0	7	12	775231716
385/65-22.5	TRC-06	TL	20	1092 x 382	3450	9.0bar	15km/h	11.75 x 22.5	10	ø32.5/ø26	ø285/ø335	ø221/ø281	0/120	7	14	775231717
445/65-22.5	TRC-06	TL	18	1180 x 440	3750	8.0bar	15km/h	13 x 22.5	10	ø26	ø285/ø335	ø221/ø281	0	7	14	775231718
23.1-26	R-3	TT/TL	16	1560 x 587	159	4.375bar	15km/h	DW20 x 26	8/10	ø27	ø275/ø335	ø221/ø281	0/-50	6	12	775231719
26X12.00-12	R-1W	TL	8	655 x 308	1265	3.0bar	15km/h	10.5 x 12	5	ø18.5	ø140	ø94	0	4	7	775231720
26X12.00-12	TRC-05	TL	8	655 x 308	1265	3.0bar	15km/h	10.5 x 12	5	ø18.5	ø140	ø94	0	4	7	775231721
29X12.50-15	R-1W	TL	8	742 x 310	950	3.1bar	50km/h	10LB x 15	6/5	ø15.5/ø15	ø150/ø140	ø90/ø94	-42/-45	4	7	775231722
31X15.50-15	R-1W	TL	10	800 x 380	1450	4.1bar	15km/h	13LB x 15	6	ø21.5	ø205	ø161	0	4	8	775231723

Speciality Tyres for wheel loaders, skid steers, excavators, forklifts, backhoes, Trencher---



MPT-900 S-630 MPT-610 MPT-600 SKS

Size	Pattern	Rim	Rim Width	Section Width (mm)	Overall Diameter (mm)	Ply Rating	Type	Max Load (A3) 15KM/H	Inflation Pressure (kpa)	
27x8.5-15	SKS	15	7JA	213	678	6	TL	710	310	775231704
33-12-16.5	S-630	16.5	9.75	320	840	6	TL	1915	280	775231707
33X15.5-16.5	S-666	16.5	12	400	865	14	TL	490	3150	775231708
10-16.5	SKS	16.5	8.25	264	773	10	TL	2135	520	775231709
10-16.5	S-690	16.5	8.25	264	773	10	TL	2135	520	775231710
12-16.5	SKS	16.5	9.75	307	831	12	TL	2865	550	775231711
12-16.5	S-690	16.5	9.75	310	840	12	TL	2865	550	775231712
14-17.5	SKS	17.5	10.5	349	921	14	TL	3875	550	775231713
15-19.5	SKS	19.5	11.75	389	1019	14	TL	4565	485	775231714
16/70-20	M-900	20	13	407	1076	14	TL	3075	360	775231715



Excavator TRC-06 R-3 R-1AW TRC-05

Size	Pattern	Rim	Rim Width	Section Width (mm)	Overall Diameter (mm)	Ply Rating	Type	Max Load (A3) 15KM/H	Inflation Pressure (kpa)	
8.25-20	Excavator	20	6.5	245	992	14	TT	2060	675	775231716
9.00-20	Excavator	20	7	260	1030	14	TT	2500	700	775231717
10.00-20	Excavator	20	7.5	280	1062	16	TT	300	810	775231718
385/65-22.5	TRC-06	22.5	11.75	382	1092	16	TL	2800	700	775231720
	TL						3150	800	775231721	
	TL						3450	900	775231722	
445/65-22.5	TRC-06	22.5	13	440	1180	18	TL	3750	800	775231723
							TL	159	4375	775231724
23.1-26	R-3	26	DW 20	587	1560	12	TT/TL	162	4750	775231725
							TL	145	2900	775231726
							TL	810	140	775231727
26X12.00-12	R-1AW	12	10.5	308	655	8	TL	1265	300	775231728
							TL	1450	380	775231729
							TL	1600	450	775231730
							TL	810	140	775231731
							TL	1265	300	775231732
26X12.00-12	TRC-05	12	10.5	308	655	8	TL	975	210	775231733
							TL	1250	310	775231734
							TL	1450	410	775231735





## Diagonal (cross-ply) Agro-industrial tyres



G2/L2    F-3    R4    I-3    MPT-01    MPT-02    MPT-03    MPT-04

Tyre Size	Pattern	Type	Ply Rating	Tyre				Wheel							Model No.	
				Unloaded inflated OD. x SW.	Max. Load (kg)	Pressure	Speed	Rim Size	Stud Holes			Center Hole Dia.	Offset /ET.	Thickness		
								No.	Dia.	PC Dia.				Rim	Disc	
13.00-24	G2/L2	TT/TL	12	340x1280mm	2725	3.0bar	40km/h	8.00TG-24	12	22	275	221.5	-100	20		775231606
13.00-24	G2/L2	TT/TL	14	340x1280mm	3000	3.5bar	40km/h	8.00TG-24	12	22	275	221.5	-100	20		775231607
14.00-24	G2/L2	TT/TL	12	364x1335mm	3075	2.75bar	40km/h	W10x24	8	19	203.2	153	26	4	8	775231608
14.00-24	G2/L2	TT/TL	14	364x1335mm	3345	3.0bar	40km/h	8.00TG-24	12	22	275	221.5	-100	20		775231609
14.00-24	G2/L2	TT/TL	16	364x1335mm	3650	3.75bar	40km/h	8.00TG-24	12	22	275	221.5	-100	20		775231610
11L-15 SL	F-3	TL	10	279x813mm	1060	3.6bar	40km/h	8LBx15	6	21.5	205	161	0	4	8	775231611
11L-16 SL	F-3	TL	12	279x830mm	1250	4.4bar	40km/h	W8x16	6	21.5	205	161	0	4	8	775231612
11.00-16	MULTI RIB3	TL	12	315x930mm	1550	4.1bar	40km/h	W8x16	6	21.5	205	161	0	4	8	775231613
10.5/80-18	I-3	TL	14	274x907mm	1360	3.7bar	30km/h	W9x18	6	21.5	205	161	0	5	10	775231614
10.5/80-18	MPT600	TL	14	274x907mm	1360	3.7bar	30km/h	W9x18	6	21.5	205	161	0	5	10	775231615
12.5/80-18	I-3	TL	14	308x987mm	1550	4.2bar	30km/h	11.00x18	10	21.5	335	281	32	5	10	775231616
12.5/80-18	MPT600	TL	14	308x987mm	1550	4.2bar	30km/h	11.00x18	10	21.5	335	281	32	5	10	775231617
14.9-24	R-4	TL	12	390x1244mm	2900	2.9bar	40km/h	DW13x24	8	21.5	275	221	0	5	10	775231618
16.9-24	R-4	TL	12	440x1310mm	3250	2.6bar	40km/h	DW15x24	8	21.5	275	221	22.5	5	10	775231619
17.5L-24	R-4	TL	12	445x1270mm	3150	2.7bar	40km/h	DW15x24	8	21.5	275	221	22.5	5	10	775231620
19.5L-24	R-4	TL	12	490x1325mm	3450	2.3bar	40km/h	DW16x24	8	21.5	275	221	-80	5	10	775231621
21L-24	R-4	TL	14	533x1378mm	3875	2.2bar	40km/h	DW18x24	8	21.5	275	221	0	5	10	775231622
16.9-28	R-4	TL	12	440x1410mm	3550	2.6bar	40km/h	DW15x28	10	24	335	281	83	32		775231623

## Diagonal (cross-ply) Multi Purpose Tyres (MPT)

Tyre Size	Pattern	Type	Ply Rating	Tyre				Wheel							Model No.	
				Unloaded inflated OD. x SW.	Max. Load (kg)	Pressure	Speed	Rim Size	Stud Holes			Center Hole Dia.	Offset /ET.	Thickness		
								No.	Dia.	PC Dia.				Rim	Disc	
10.0/75-15.3	MPT-02	TL	14	258x774mm	1900	5.5bar	40km/h	9.00x15.3	6	21.4	205	161	0	4	10	775231661
11.5/80-15.3	MPT-02	TL	14	292x868mm	2430	4.75bar	40km/h	9.00x15.3								775231662
15.5/80-24	MPT-01	TL	14	384x1262mm	4500	4.8bar	40km/h	W12x24	8	19	203.2	152.6	0	4	10	775231663
405/70-20	MPT-03	TL	14	405x1075mm	3050	3.5bar	40km/h	13x20								775231664
405/70-24	MPT-03	TL	14	405x1185mm	3550	3.5bar	40km/h	13x24	10	21.5	335	281	75	5	10	775231665
18-15.5	MPT-04	TL	10	450x980mm	4185	3.5bar	40km/h	13.00x15.5								775231666
10.5-18	MPT-02	TL	12	270x905mm	2190	4.5bar	40km/h	9.00x18	6	21.5	205	161	0	4	8	775231667
12.5-18	MPT-02	TL	12	325x990mm	2245	3.5bar	40km/h	11.00x18								775231668
18-19.5	MPT-02	TL	16	460x1104mm	4240	5.0bar	40km/h	14.00x19.5	6/8	21.5/26	275/335	221281	0/-10	6	12	775231669
12.5-20	MPT-02	TL	12	325x1040mm	2300	3.5bar	40km/h	11.00-20								775231670
14.5-20	MPT-02	TL	12	390x1116mm	2580	3.5bar	40km/h	11.00-20	5	16.7	160	110	0	6	12	775231671
16.0/70-20	MPT-02	TL	14	405x1128mm	3340	3.5bar	40km/h	13x20								775231672



EXCELLENT QUALITY, ULTIMATE CHOICE  
ATV, Lawn & Garden



Tyre Size	Pattern	Type	Ply Rating	Tyre				Wheel							Model No.	
				Unloaded inflated OD. x SW.	Max. Load (LBS)	Pressure	Speed	Rim Size	Stud Holes			Center Hole Dia.	Offset /ET.	Thickness		
								No.	Dia.	PC Dia.				Rim	Disc	
11x4.00-4	J332	TL	4	273x105mm	330	46bar	15km/h	3.25x4	6	φ15	114.3	72	1	*	*	775230741
11x4.00-5	J332	TL	4	276x102mm	325	46bar	15km/h	3.00x5	6	φ15	114.3	72	1	*	*	775230742
13x5.00-6	J332	TL	4	316x128mm	440	40bar	15km/h	4.50x6	5	φ13.5	100	60	1	*	*	775230743
15x6.00-6	J332	TL	4	380x160mm	570	30bar	15km/h	6.00x6	6	φ14.5	114.3	81	0	*	*	775230744
16x6.50-8	J332	TL	4	400x165mm	620	28bar	15km/h	5.375x8	6	φ14.5	110	68.5	23	*	*	775230745
16x6.50-8	J332	TL	6	412x167mm	785	42bar	15km/h	5.375x8	6	φ13.5	114.3	79.5	0	*	*	775230746
18x8.50-8	J332	TL	4	449x210mm	815	22bar	15km/h	7.00x8	6	φ12	114.3	79.5	-34	*	*	775230747
18x9.50-8	J332	TL	4	465x223mm	1040	24bar	15km/h	7.00x8	8	φ15	203.2	153.9	-65.5	*	*	775230748
20x8.00-8	J332	TL	4	507x207mm	950	22bar	15km/h	6.50x8	6	φ18.5	135	100	5	*	*	775230749
20x10.00-8	J332	TL	4	500x236mm	1190	22bar	15km/h	7.00x8	6	φ15	114.3	72	1	*	*	775230750
23x8.50-12	J332	TL	4	579x206mm	1120	22bar	15km/h	7.00x12	6	φ15	114.3	72	1	*	*	775230751
23x9.50-12	J332	TL	4	580x232mm	1380	24bar	15km/h	7.00x12	5	φ13.5	100	60	1	*	*	775230752
23x10.50-12	J332	TL	4	585x250mm	1340	20bar	15km/h	8.50x12	6	φ14.5	114.3	81	0	*	*	775230753
24x12.00-12	J332	TL	4	606x295mm	1710	20bar	15km/h	10.50x12	6	φ14.5	110	68.5	23	*	*	775230754
24x12.00-12	J332	TL	6	615x295mm	2260	32bar	15km/h	10.50x12	6	φ13.5	114.3	79.5	0	*	*	775230755
24x12.00-12	J332	TL	8	610x293mm	2910	50bar	15km/h	10.50x12	6	φ12	114.3	79.5	-34	*	*	775230756
26x12.00-12	J332	TL	6	655x310mm	2450	35bar	15km/h	10.50x12	8	φ15	203.2	153.9	-65.5	*	*	775230757
26x12.00-12	J332	TL	8	655x310mm	3020	50bar	15km/h	10.50x12	6	φ18.5	135	100	5	*	*	775230758
13x5.00-6	J328	TL	2	330x118mm	295	20bar	15km/h	3.50x6	5	φ13.5	100	60	1	*	*	775230759
16x6.50-8	J328	TL	4	418x162mm	615	28bar	15km/h	5.375x8	6	φ14.5	114.3	81	0	*	*	775230760
18x9.50-8	J328	TL	2	455x222mm	695	12bar	15km/h	7.00x8	5	φ14.5	110	68.5	23	*	*	775230761
20x10.00-8	J328	TL	4	514x242mm	1190	22bar	15km/h	8.00x8	6	φ13.5	114.3	79.5	0	*	*	775230762
23x10.50-12	J328	TL	4	585x260mm	1340	20bar	15km/h	8.50x12	6	φ12	114.3	79.5	-34	*	*	775230763
31x15.5-15	J328	TL	10	810x405mm	3300	60bar	15km/h	13.00x15	8	φ15	203.2	153.9	-65.5	*	*	775230764
11x4.00-5	J508	TL	4	280x100mm	325	46bar	15km/h	3.00x5	6	φ15	114.3	72	1	*	*	775230765
13x5.00-6	J508	TL	4	327x120mm	440	40bar	15km/h	3.50x6	6	φ15	114.3	72	1	*	*	775230766
15x6.00-6	J508	TL	4	367x164mm	570	30bar	15km/h	4.50x6	5	φ13.5	100	60	1	*	*	775230767
16x6.50-8	J508	TL	4	414x169mm	620	28bar	15km/h	5.375x8	6	φ14.5	114.3	81	0	*	*	775230768
16x6.50-8	J508	TL	6	410x165mm	720	36bar	15km/h	5.375x8	5	φ14.5	110	68.5	23	*	*	775230769
16x6.50-8	J508	TL	10	410x165mm	800	36bar	15km/h	5.375x8	6	φ13.5	114.3	79.5	0	*	*	775230770
16x6.50-8	J508	TL	24	410x165mm	990	65bar	15km/h	5.375x8	6	φ12	114.3	79.5	-34	*	*	775230771
18x8.50-8	J508	TL	4	410x165mm	815	22bar	15km/h	7.00x8	8	φ15	203.2	153.9	-65.5	*	*	775230772
18x9.50-8	J508	TL	4	451x177mm	1040	40bar	15km/h	7.00x8	8	φ15	203.2	153.9	-65.5	*	*	775230773
16x6.50-8	J5012	TL	2	400x163mm	415	14bar	15km/h	5.375x8	6	φ15	114.3	72	1	*	*	775230774
16x6.50-8	J5012	TL	4	400x167mm	620	28bar	15km/h	5.375x8	6	φ15	114.3	72	1	*	*	775230775
16x6.50-8	J5012	TL	6	410x167mm	785	42bar	15km/h	5.375x8	5	φ13.5	100	60	1	*	*	775230776
20x8.00-8	J5012	TL	2	488x210mm	600	10bar	15km/h	6.50x8	6	φ14.5	114.3	81	0	*	*	775230777
20x8.00-8	J5012	TL	4	488x210mm	950	22bar	15km/h	6.50x8	5	φ14.5	110	68.5	23	*	*	775230778





Trailer Tire & Wheel



EXCELLENT QUALITY, ULTIMATE CHOICE

Truck and Bus and Trailer wheel assemblies

Tyre										Wheel				Model No.		
Tyre Size	Pattern	Type	Ply Rating	Unloaded inflated OD. x SW.	Max. Load (LBS)	Pressure (KPA/PSI)	Speed	Rim Size	Stud Holes	Center Hole Dia.	Offset /ET.	Thickness				
										No.	Dia.	PC Dia.	Rim	Disc		
ST175/80R13	Trailer	TL	6	177x610mm	615/545	350/50	80km/h	4.5J	350/50	14.5	101.6/114.3	68/72/81/84	0	2.75	4	775251706
ST185/80R13	Trailer	TL	6	188x620mm	670/580	350/50	80km/h	4.5J	350/50	14.5	101.6/114.3	68/72/81/84	0	2.75	4	775251707
ST205/75R14	Trailer	TL	6	203x664mm	800/710	350/50	80km/h	5.5J	350/50	15	114.3	81/84	0	3	5	775251708
ST215/75R14	Trailer	TL	6	216x678mm	850/750	350/50	80km/h	6J	350/50	15	114.3/139.7	81/84	0	3	5	775251709
ST205/75R15	Trailer	TL	6	203x689mm	825/730	350/50	80km/h	5J	350/50	15	114.3/139.7	81/84/108.7	0	3.5	5	775251710
ST205/75R15	Trailer	TL	8	203x689mm	975/850	450/65	80km/h	5J	450/65	15	114.3/139.7	81/84/108.7	0	3.5	5	775251711
ST225/75R15	Trailer	TL	8	223x719mm	1150/1000	450/65	80km/h	6J	450/65	14.5	114.3/139.7	81/84/108.7	0	3	5.5	775251712
ST225/75R15	Trailer	TL	10	223x719mm	1285/1120	550/80	80km/h	6J	550/80	14.5	114.3/139.7	81/84/108.7	0	3	5.5	775251713
ST235/80R16	Trailer	TL	10	235x782mm	1550/1360	550/80	80km/h	6J	550/80	17	139.7/165.1	108.7/130.8	0	4	6	775251714
ST235/80R16	Trailer	TL	12	235x782mm	1800/1650	600/95	80km/h	6J	660/95	17	139.7/165.1	108.7/130.8	0	4	6	775251715
ST235/85R16	Trailer	TL	10	235x806mm	1650/1450	550/80	80km/h	6J	550/80	17	139.7/165.1	108.7/130.8	0	4	6	775251716
ST235/85R16	Trailer	TL	12	235x806mm	1800/1600	660/95	80km/h	6J	660/95	17	139.7/165.1	108.7/130.8	0	4	6	775251717
ST235/85R16	Trailer	TL	14	235x806mm	1815/1665	660/95	80km/h	6J	660/95	17	139.7/165.1	108.7/130.8	0	4	6	775251718

Tyre										Wheel				Model No.		
Tyre Size	Pattern	Type	Ply Rating	Unloaded inflated OD. x SW.	Max. Load (kg)	Pressure	Speed	Rim Size	Stud Holes	Center Hole Dia.	Offset /ET.	Thickness				
										No.	Dia.	PC Dia.	Rim	Disc		
7.00R16LT	steer/drive	TT	14	775x200mm	1320/1180	770/770	K	5.50F-16	5	Φ18	Φ165	Φ108	0	5	12	875230812
7.50R16LT	steer/drive	TT	14	805x215mm	1500/1320	770/770	K	6.00G-16	5	Φ18	Φ177.8	Φ123	0	5	12	875230813
8.25R16LT	steer/drive	TT	14	855x235mm	1800/1600	770/770	K	6.50H-16	6	Φ32	Φ222.25	Φ163	138	7	14	875230814
8.25R20	steer/drive	TT	14	974x236mm	2240/2120	830/830	K	6.50-20	10	Φ26	Φ335	Φ281	153	7	14	875230815
9.00R20	steer/drive	TT	16	1019x259mm	2575/2430	790/790	K	7.00-20	10	Φ26	Φ335	Φ281	180	7	14	875230816
10.00R20	steer/drive	TT	16	1055x278mm	3000/2630	840/770	F	7.50-20	8/10	Φ32.5/Φ26	Φ285/Φ335	Φ221/Φ281	151/152.5	7	14	875230817
11.00R20	steer/drive	TT	18	1085x293mm	3550/3050	930/930	F	8.00-20	8/10	Φ32.5/Φ26	Φ285/Φ335	Φ221/Φ281	158/0	7	14	875230818
12.00R20	steer/drive	TT	18	1125x315mm	3790/3270	840/770	F	8.50-20	10	Φ26	Φ335	Φ281	180/161	7	14	875230819
12.00R24	steer/drive	TT	20	1226x315mm	4500/4125	930/930	J	8.50-24	10	Φ26	Φ335	Φ281	180	7	16	875230820
215/75R17.5	steer/drive	TL	14	767x211mm	1650/1500	760/760	M	6.00x17.5	5	Φ29	Φ203.2	Φ146	128	5	10	875230821
235/75R17.5	steer/drive	TL	14	797x233mm	1850/1700	760/760	M	6.75x17.5	6	Φ32	Φ205	Φ161	125	5	12	875230822
225/70R19.5	steer/drive	TL	14	811x226mm	1800/1700	760/760	M	6.75x19.5	8	Φ32	Φ285	Φ221	144	6	12	875230823
245/70R19.5	steer/drive	TL	14	839x248mm	2060/1950	760/760	M	7.50x19.5	6	Φ32	Φ222.25	Φ164	147	7	12	875230824
265/70R19.5	steer/drive	TL	14	876x262mm	2500/2360	850/850	L	7.50x19.5	6	Φ32	Φ222.25	Φ164	147	7	12	875230825
435/50R19.5	steer/drive	TL	20	931x438mm	4500	900	J	14.00x19.5	10	Φ25	Φ335	Φ281	74	7	14	875230826
11R22.5	steer/drive	TL	16	1050x279mm	3150/2900	850/850	M	8.25x22.5	8/10	Φ32.5/Φ26	Φ285/Φ335	Φ221/Φ281	169/120	7	14	875230827
12R22.5	steer/drive	TL	16	1085x300mm	3350/3075	830/830	L	9.00x22.5	8/10	Φ32.5/Φ26	Φ285/Φ335	Φ221/Φ281	170/161	7	14	875230828
13R22.5	steer/drive	TL	18	1124x320mm	3750/3350	850/850	K	9.75x22.5	8/10	Φ32.5/Φ26	Φ285/Φ335	Φ221/Φ281	170/161	7	14	875230829
275/70R22.5	steer/drive	TL	18	958x276mm	3150/2900	900/900	J	8.25x22.5	8/10	Φ32.5/Φ26	Φ285/Φ335	Φ221/Φ281	169/120	7	14	875230830
315/60R22.5	steer/drive	TL	18	950x312mm	3550/3150	900/900	L	9.00x22.5	8/10	Φ32.5/Φ26	Φ285.75/Φ335	Φ220/Φ281	170/161	7	14	875230831
315/70R22.5	steer/drive	TL	16	1014x312mm	3450/3150	830/830	L	9.00x22.5	8/10	Φ32.5/Φ26	Φ285.75/Φ335	Φ220/Φ281	170/161	7	14	875230832
295/80R22.5	steer/drive	TL	16	1044x298mm	3350/3075	830/830	M	9.00x22.5	8/10	Φ32.5/Φ26	Φ285.75/Φ335	Φ220/Φ281	170/161	7	14	875230833
315/80R22.5	steer/drive	TL	20	1076x312mm	4000/3350	850/850	L	9.00x22.5	8/10	Φ32.5/Φ26	Φ285.75/Φ335	Φ220/Φ281	170/161	7	14	875230834
385/55R22.5	steer/drive	TL	20	996x386mm	4500	900	K	12.25x22.5	10	Φ25	Φ335	Φ281	74	7	14	875230835
385/65R22.5	steer/drive	TL	20	1072x389mm	4500	900	K	11.75x22.5	10	Φ32.5/Φ26	Φ285/Φ335	Φ221/Φ281	0/120	7	14	875230836
425/65R22.5	steer/drive	TL	20	1124x430mm	5150	825	K	13.00x22.5	8/10	Φ26	Φ285/Φ335	Φ220/Φ281	0	7	14	875230837
445/50R22.5	steer/drive	TL	20	1018x445mm	4625	830	L	14.00x22.5	8/10	Φ26	Φ285/Φ335	Φ220/Φ281	0	7	14	875230838
445/65R22.5	steer/drive	TL	20	1150x445mm	5800	900	K	14.00x22.5	8/10	Φ26	Φ285/Φ335	Φ220/Φ281	0	7	14	875230839
11R24.5	steer/drive	TL	14	1104x279mm	3000/2725	720/720	M	8.25x24.5	10	Φ26	Φ285.75	Φ220	168	7	12	875230840
285/75R24.5	steer/drive	TL	14	1050x283mm	2800/2575	760/760	M	8.25x24.5	10	Φ26	Φ285.75	Φ220	168	7	12	875230841





## Off the Road/Earthmover equipment

Tyre										Wheel				Model No.		
Tyre Size	Pattern	Type	Ply Rating	Unloaded inflated OD. x SW.	Max. Load (kg)	Pressure	Speed	Rim Size	Stud Holes	Center Hole Dia.	Offset /ET.	Thickness				
									No.	Dia.	PC Dia.	Rim	Disc			
17.5R25	E3/L3	TL	☆☆ ☆	1348x445mm 1348x445mm	8500/5450 7100/3650/4125	5.75/4.35 4.5/3.0/3.5	10/50 10/40/50	25-14.00/1.5	10/12/16/19	0.26/0.22	0.23/0.40	0.26/0.35	15/35/75	10	16	775230916
20.5R25	E3/L3	TL	☆☆ ☆	1492x520mm 1492x520mm	11500/7300 9900/4625/5800	5.75/4.5 4.5/3.75/3.5	10/50 10/40/50	25-17.00/2.0	10/12	0.27/0.26	0.48/0.45/0.8	0.42/0.46/6	15/17/87.5	10	18	775230917
23.5R25	E3/L3	TL	☆☆ ☆	1617x597mm 1617x597mm	14500/9250 12150/7100	6.5/5.25 5.0/3.75	10/50	25-19.50/2.5	10/12	0.27/0.27	0.48/0.425	0.405/0.370	0/-50.5/-5	10	15	775230918
26.5R25	E3/L3	TL	☆☆ ☆	1750x673mm 1750x673mm	18500/11500 15000/9000	5.75/4.5 4.5/3.5	10/50	25-22.00/3.0	31/25/20/24	0.22/0.25/5	0.40/0.434 0.425/0.50	0.45/0.454 0.370/0.477	233/25/7/0	12	20	775230919
29.5R25	E3/L3	TL	☆☆ ☆	1873x750mm 1873x750mm	22400/14000 18000/109000	5.75/4.5 4.5/3.5	10/50	25-25.00/3.5	10/26/23	0.26/0.25.4 0.26/5	0.335/0.484/0.515	0.26/0.430.3 0.475	70/307.9/17	14	22	775230920
29.5R29	E3/L3	TL	☆☆ ☆	1975x750mm 1975x750mm	23600/15000 19500/11500	5.75/4.5 4.5/3.5	10/50	29-25.00/3.5	24/36	0.23/0.21/0.24 0.21	0.50/0.58 0.570/0.52	0.443.3/0.558 0.530.2/0.518	54/31.3/108.3	14	34	775230921

Tyre										Wheel				Model No.		
Tyre Size	Pattern	Type	Ply Rating	Unloaded inflated OD. x SW.	Max. Load (kg)	Pressure	Speed	Rim Size	Stud Holes	Center Hole Dia.	Offset /ET.	Thickness				
									No.	Dia.	PC Dia.	Rim	Disc			
14.00-24.5S/E-4/IND-TL			32	1417x386	15000	10.2	10/50	24-10.00/1.7	12/10/8/20/19	0.24/0.26/0.36.5	0.275/0.33	0.228.85/0.461	224/86			775230635
16.00-25 E-3/E-4	TL		32	1485x465	16875	10.3	10	25-11.25/2.0	16/12/10/20	0.26.5/0.22/0.17.5	0.31/0.41/0	0.281/0.457	0/281.8/-20			775230638
18.00-25 L-4S/L-5S	TL		40	1650x528	22950	10.3	10	25-13.00/2.5	10/12/23/19/16	0.31/0.23/0.21.5	0.48/0.422.28	0.430/0.370	65/59			775230641
21.00-25L-5S/IND-3	TL		40	1798x617	30200	15.0	10/50	25-15.00/3.0	20/12/24/10	0.26/0.24/0.22	0.50/0.422.28	0.449/0.370	84/123			775230645
18.00-33 L-4S/E-4	TL		40	1895x535	22950	10.3	10	33-13.00/2.5	16/12	0.26/0.26/0.36	0.48/0.40	0.420/0.350	100/458			775230647
24.00-35 E-4	TL		48	2190x655	42525	10.3	10	35-17.00/3.5	12/14/20	0.30/0.36/0.26	0.71/0.48	0.658/0.430	156/134/0			775230649
27.00R49 E-4	TL	☆☆		2702x737	27250	10.3	50	49-19.50/4.0	20/36	0.36/0.20.6	0.1105/0.50	0.975/0.460	67.5/32.7			775230650



EXCELLENT QUALITY, ULTIMATE CHOICE

### LOAD INDEX

LI	kg	LI	kg	LI	kg	LI	kg	LI	kg	LI	kg
30	106	54	212	78	425	102	850	126	1700	150	3350
31	109	55	218	79	437	103	875	127	1750	151	3450
32	112	56	224	80	450	104	900	128	1800	152	3550
33	115	57	230	81	462	105	925	129	1850	153	3650
34	118	58	236	82	475	106	950	130	1900	154	3750
35	121	59	243	83	487	107	975	131	1950	155	3875
36	125	60	250	84	500	108	1000	132	2000	156	4000
37	128	61	257	85	515	109	1030	133	2060	157	4125
38	132	62	265	86	530	110	1060	134	2120	158	4250
39	136	63	272	87	545	111	1090	135	2180	159	4375
40	140	64	280	88	560	112	1120	136	2240	160	4500
41	145	65	290	89	580	113	1150	137	2300	161	4625
42	150	66	300	90	600	114	1180	138	2360	162	4750
43	155	67	307	91	615	115	1215	139	2430	163	4875
44	160	68	315	92	630	116	1250	140	2500	164	5000
45	165	69	325	93	650	117	1285	141	2575	165	5150
46	170	70	335	94	670	118	1320	142	2650	166	5300
47	175	71	345	95	690	119	1360	143	2725	167	5450
48	180	72	355	96	710	120	1400	144	2800	168	5600
49	185	73	365	97	730	121	1450	145	2900	169	5800
50	190	74	375	98	750	122	1500	146	3000	170	6000
51	195	75	387	99	775	123	1550	147	3075	171	6150
52	200	76	400	100	800	124	1600	148	3150	172	6300
53	206	77	412	101	825	125	1650	149	3250	173	6500

### SPEED CATEGORY

SPEED SYMBOL	A1	A2	A3	A4	A5	A6	A7	A8	B	D	F	J	K
SPEED (km/h)	5	10	15	20	25	30	35	40	50	65	80	100	110

### PRESSURE UNITS CONVERSION TABLE

kPa	100	150	200	250	300	350	400	450	500	550
bar	1.0	1.5	2.0	2.5	3.0	3.5	4.0	4.5	5.0	5.5
p.s.i.	15	22	29	36	44	51	58	65	73	80

kPa	600	650	700	750	800	850	900	950	1000	1050
bar	6.0	6.5	7.0	7.5	8.0	8.5	9.0	9.5	10.0	10.5
p.s.i.	87	94	102	109	116	123	131	138	145	152

### UNITS CONVERSION TABLE

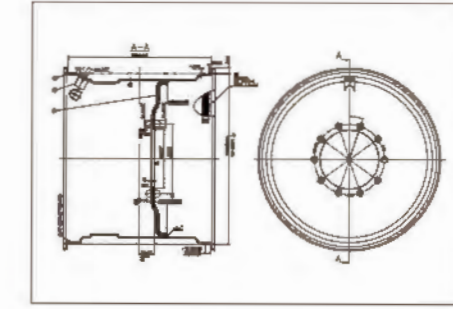
LENGTH	MASS	PRESSURE
1 millimeter (mm) = 0,3937"	1 pound (lb) = 0,4536 kg	1 p.s.i. (lb/in <sup>2</sup> ) = 6,895 kPa
1 inch (") = 25,4 mm = 0,0254 m	1 kilogram (kg) = 2,205 lb	1 kg/cm <sup>2</sup> = 98,066 kPa
1 meter (m) = 3,281 ft		1 bar = 100 kPa
1 foot (ft) = 0,3048 m		-
1 kilometer (km) = 0,6214 mile		-
1 mile = 1,609 km	VOLUME	-
	1 liter (l) = 0,21 gallon	-
	1 imperial gallon (imp.gal) = 4,55 l	-



Wheels for Agricultural Implement farm applications  
(Tractors, Foresters, Harvesters, Agricultural Mixers and Trailers, etc...)



Dia	Wheel Size	Tire Size
10"	3.50x10	5.00x10
	4Jx12	5.70-12
	5Jx12	7.00-12 6.00-12
12"	7.00x12	10.075-12 10.080-12 238.50x12
	8.50x12	11.085-12 239.50x12
	10.50x12	26x12.00-12
13"	4Jx13	5.50-13 165SR13
	4.5Jx14	5.50-13
14"	6.00x14	6.50-14
	7.00x14	9.5Lx14
15"	4Jx15	5.00-15
	5Jx15	6.580-15
	6LBx15	7.5L-15
	7Jx15	8.075-15
	8LBx15	27x10.50-15 11L-15
	9LBx15	11L-15
	10LBx15	12.5L-15 29x12.50-15 31x11.50-15
15.5"	15.5x13.00	10.075-15.3 11.580-15.3 12.580-15.3
	15.5x15.00	400/60-15.5
16"	4.5E16	6.00-16 6.50-16
	5.50E16	7.50-16
	6.50x16	8.25-16
	W7x16	210R0R16
	W8x16	240/65R16 9.070-16 10.075-16 10.00-16 10.565-16
	8.00x16 Heavy Duty	10.00-16
	W9x16	285/70R16 11.00-16
16.1"	9.00x16	11L-16
	11.00x16	14.065-16
	11.00x16.1	14L-16.1
16.5"	14.00x16.1	16.5-16.1
	16.00x16.1	21.5-16.1
17"	8.25x16.5	10-16.5
	9.75x16.5	12-16.5
17.5"	12.00x16.5	33/15.5x16.5
	17x13.00	15.055-17
18"	17x16.00	19.045-17 500/50-17
	10.75x17.5	14-17.5
18.5"	11.75x17.5	14-17.5
	8.00x18	10.580-18 12.580-18
	W9x18	10.580-18 12.580-18
19"	11.00x18	13.0065-18
	13.00x18	15.070-18 15.560-18 405/70R18
19.5"	3.00x19	4.50x19
	7.50x19.5	
	14.00x19.5	15.0x19.5
	5.50x20	7.50x20
	W7x20	8.3-20
20"	W8x20	9.50-20
	20x8.00	9.50-20 10.00-20
	W9x20	11.2-20
	10.00x20	12.00-20
	W11x20	12.4x20
	13.00x20.00	405/70-20 420/65R20 425/75R20
	14.00x20.00	38/18-20
20.5"	14x20.5	465/65R20.5
21"	18.00x21 3pcs	24R21
22"	17.00x22 3pcs	
	W8x22	
	11.75x22.5	15R22.5 385/70R22.5 385/65R22.5
	13.00x22.5	16.5R22.5 425/65R22.5 415/45R22.5
	14.00x22.5	18R22.5 465/65R22.5
22.5"	16.00x22.5	500/60-22.5 550/60-22.5 550/45-22.5
	20.00x22.5	600/90-22.5 650/50-22.5 600/65-22.5
	24.00x22.5	700/50-22.5
	W7x24	8.3-24
	W8x24	9.50-24
24"	W10x24	11.2-24
	W12x24	13.6-24 14.9x24
	W14x24	16.9-24
	DW16Lx24	16.9-24
	DW18Lx24	19.5L-24 18.4-24
	DW18Lx24	20.5-24
	24.5x8.25	11R24.5
24.5"	24.5x11.75	385/65R24.5 385/65R24.5
	24.5x13.00	16.5R24.5 425/65R24.5
	24.5x15.00	
25"	36.00x25	66/43-25



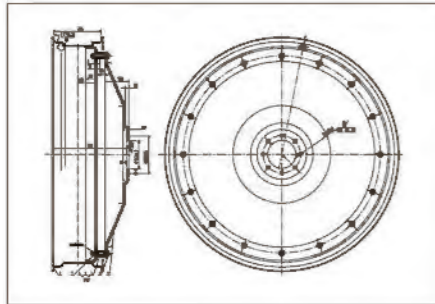
# STEEL WHEELS



Marks: We have daily stocks for the wheel sizes in Yellow.



Wheels for Agricultural Implement farm applications  
(Tractors, Foresters, Harvesters, Agricultural Mixers and Trailers, etc... )



**W-profiles:**

W10 , W11 , W12 , W 13 – W15L\*24"  
W10, W11 , W13 , W15L – W18L\*28"  
W13 – W15L\*30", W15L-18L\*34

**Row crop sizes:**

W8 – W10\*32"  
W8 – W10\*36"  
W10\*38  
W8 – W10\*44"  
W10 , W12 , W 13 – W16L\*46"  
W8 , W10– W12\*48"  
W10\*50"  
W10\*52" , W10\*54

**DW-profiles:**

DW14L – DW15L\*24"

DW16, DW20B-25B\*26"  
DW16L, DW18L – DW20B\*28"  
DW15L , DW16L, DW18L – DW20B\*30"  
DW20B, DW21B – DW27B\*32"  
DW15L, DW16L – DW18L\*34"  
DW20B, DW23B, DW24B – DW25B\*34"  
DW12, DW15L, DW16L, DW18L, DW20B, DW23B, DW25B – DW27B\*38"  
DW16L, DW18L, DW20B, DW23B, DW25B – DW27B\*42"

Available adjustable and fixed.

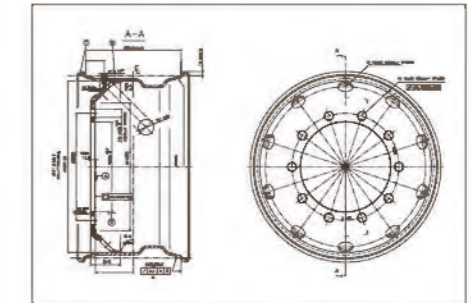
Dia	Wheel Size	Tire Size
26"	W12x26	13.6-26 14.9-26
	W13x26	14.9-26
	W15x26	16.9-26
	W16x26	18.4-26
26.5"	DW20x26	23.1-26 24L-26
	DW25x26	30.5L-26 28L-26
	16.00x26.5	500/60-26.5
	20.00x26.5	600/55-26.5
28"	24.00x26.5	700/50-26.5
	28.00x26.5	800/45-26.5
	W8x28	9.50-28
	W10x28	11.2-28
	W11x28	12.4-28
	W12x28	13.6-28
	W13x28	14.9-28
	W14Lx28	16.9-28
	DW15Lx28	16.9-28
	W16x28	18.4-28
	DW18x28	21L-28
	DW20x28	600/50-28
30"	W12x30	13.6-30
	W14Lx30	16.9-30
	DW14X30	16.9-30
	W15Lx30	18.4-30
30.5"	DW16Lx30	18.4-30 23.1x30
	DW20x30	23.1x30
	20.00x30.5	600/50-30.5 800/60-30.5
	24.00x30.5	650/60-30.5 700/50-30.5 750/60-30.5
32"	28.00x30.5	800/45-30.5 800/55-30.5 850/50-30.5
	W7x32	8.30-32
	W10x32	12.4-32
	W12x32	13.6-32
34"	DW20x32	23.1-32
	DW21x32	24.5FR32 680/70R32 860/75R32
	DW22x32	30.5L-32 800/65R32
	DW10x34	12.4-34
36"	W14Lx34	16.9-34
	W15Lx34	18.4-34
	DW15X34	16.9-34
	DW16X34	18.4-34
38"	DW20X34	23.1-34
	W8x36	9.50-36
	W10x36	11.2-36
	W11x36	14.9-36
42"	W12x36	14.9-36
	W10x38	11.2x38
	W11x38	13.6-38 14.9-38
	W12x38	13.6-38 14.9-38
44"	W15Lx38	16.9-38 540/65x38
	W16Lx38	18.4-38
	DW16x38	18.4-38
	DW18x38	20.8-38 600/65-38
46"	DW20x38	650/65-38
	DW23X38	710/70R38
	W8x42	8.30-42
	W10x42	11.2-42
48"	DW16x42	18.4-42
	DW18x42	20.8-42
	W20x42	620/70x42
	DW23x42	710/70x42
50"	DW27x42	900/60x42
	W8x44	10.00x44
	W10x44	12.4x44
	DWx46	11.2-46
52"	DW12x46	12.4-46
	DW13x46	14.9-46
	DW16x46	18.4-46 520/85-46
	W8x48	9.50-48
54"	W10x48	11.2-48
	W12x48	16.3-48
	W10x50	12.4-50
	W16x50	18.4-50
54"	W10x52	12.4-52
	W10x54	12.4-54
54"	W12x54	14.9-54

Marks: We have daily stocks for the wheel sizes in Yellow.

Wheels for commercial vehicles (Trucks, Buses, Trailers, etc ...)

	Wheel Size	Tire Size
TUBELESS TYPE		
17.5"	17.5x5.25	7R17.5
	17.5x6.00	215/75R17.5 225/75R17.5
		8R17.5 6.5R17.5
		9R17.5 9.5R17.5
17.5x6.75	9R17.5 9.5R17.5	
	10R17.5	
	235/75R17.5 245/70R17.5	
	14-17.5	
19.5"	19.5x6.00	8R19.5
	19.5x6.75	9.5R19.5
		235/75R19.5
	19.5x7.50	10R19.5 11R19.5
19.5x8.25	245/70R19.5 265/70R19.5	
	285/70R19.5	
	305/70R19.5	
	16R19.5	
19.5x11.75	385/55R19.5 285/65R19.5	
	15-19.5	
	425/55R19.5	
	435/50R19.5	
20.5"	445/45R19.5	
	445/60R19.5	
	16-19.5 MPT	
	465/65R20.5	
22.5"	20.5x14.00	24R20.5
	20.5x18.00	24R20.5
	22.5x6.00	8.5R22.5
	9R22.5 10R22.5	
22.5x7.50	255/70R22.5	
	10R22.5 11R22.5	
	11R22.5	
	275/70R22.5 275/80R22.5	
22.5x8.25	285/60R22.5	
	295/70R22.5 295/80R22.5	
	12R22.5	
	315/70R22.5 315/80R22.5	
22.5x9.00	305/60R22.5 305/70R22.5	
	315/60R22.5 315/70R22.5	
	315/75R22.5	
	13R22.5	
22.5x9.75	315/60R22.5	
	385/70R22.5	
	15R22.5	
	350/75R22.5 385/70R22.5	
22.5x11.25	16R22.5	
	365/70R22.5 375/60R22.5	
	385/65R22.5 385/55R22.5	
	425R22.5	
22.5x12.25	385/65R22.5 425/65R22.5	
	16.5R22.5 16.5/70R22.5	
	400/55R22.5 425/65R22.5	
	15-22.5	
22.5x13.00	16.5-22.5	
	18R22.5	
	415/45R22.5 425/65R22.5	
	435/45R22.5 445/75R22.5	
22.5x14.00	455/45R22.5	
	495/45R22.5	
	500/45R22.5 550/45-22.5	
	500/60R22.5 550/60-22.5	
22.5x15.00	600/55-22.5	
	650-50-22.5	
	700/40-22.5	
	750/45-22.5	
22.5x17.00	11R24.5 285/75R24.5	
	12R24.5	
	24.5x8.25	
	24.5x9.00	
24.5"	24.5x8.25 Demountable	
	24.5x9.00 Demountable	

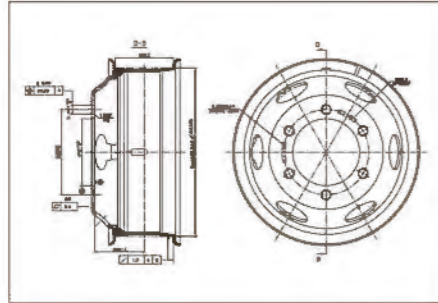
Marks: We have daily stocks for the wheel sizes in Yellow.





Wheels for commercial vehicles (Trucks, Buses, Trailers, etc ...)

Wheels for Industrial machines  
(Cranes, Loaders, Graders, Excavators, Bulldozers, Forklifts, etc...)

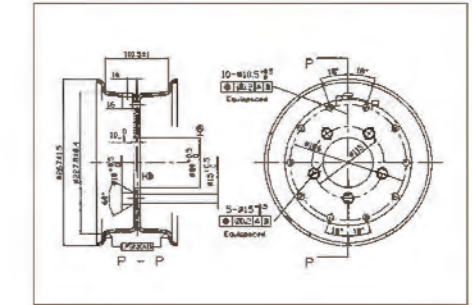


Dia	Wheel Size	Tire Size
15"	6.0-15	750-15
	6.5-15	825-15
	7.0-15	900-15
	7.5-15	1000-15
	16x3.00D	4.00-16
16"	16x4.50E	6.50-16
	5.50F-16	6.50-16
		7.00-16
		7.50-16
		8.25-16
	5.50H-16	7.00-16
18"	6.00G-16	8.25-16
		7.50-16
		7.5R16
		235/65R16
	6.00G-18B1	7.50-16
	6.5-16	8.25-16(8.25R16)
	6.5-16B1	8.25-16
	7.0-16	8.25-16
	20-5.00S	7.00-20
	20x5.5F	7.50-20
20"	6.0-20	7.50-20
	6.5-20	750-20
		825-20
	7.0-20	900-20
	7.25-20	900-20
	7.5-20	1000-20
	8.0-20	1100-20
	8.5-20	1200-20
	9.0-20	1200-20
	10.00-20	14.00-20
		385/65R20
		395/65R20
22"	11.00-20	395/65R20
	12.00-20	15.5-20
	8.0-22	11.00R22
24"	8.0-24	1000-24TR
		1100-24
24"		1200R24
	8.5-24	12.00-24
		1100R24
		1200R24
	10.00-24	14.00-24
	24-13	16.00-24

Marks: We have daily stocks for the wheel sizes in Yellow.

Dia	Wheel Size	Tire Size	
8"	SPLIT		
	2.50C-8	4.00-8	
	3.00D-8	5.00-8	
	4.33R-8	18x7-8	
	4.00E-09	6.00-9	
9"	4.00R-9	7.00-9	
	5.00S-9	7.00-12	
	6.00-9	21x8-9	
10"	5.00F-10	6.5-10	
	6.50F-10	23x9-10	
12"	4.50E-12	5.50-12	
	5.00S-12	7.00-12	
10"	FORKLIFT		
	6.50F-12	8.25-12	
	8.00G-12	27x10-12	
	6.5-10	23x9-10	
	8.0-12	27x10-12	
	15"	5.50-15	7.00-15
		6.00-15	7.50-15
		6.50-15	8.25-15
		7.00T-15	250-15
		7.50V-15	280-15
16"	8.00V-15	300-15	
		315/70-15	
	9.75-15	32/12.1-15	
16.5"	5.50-16	7.50-16	
	6.50-16	8.25-16	
20"	7.00T-16	9.00-16	
	8.25x16.5	10-16.5	
	9.75x16.5	12-16.5	
	12.00x16.5	33/15.5x16.5	
	6.50-20	8.25-20	
	7.00T-20	9.00-20	
	7.50-20	10.00-20	
24"	8.00-20	11.00/12.00-20	
	8.50-20	12.00-20	
	10.00-20	14.00-20	
24"	11.00-20	15.00-20	
	8.00-24 TG	12.00-24/13.00-24	

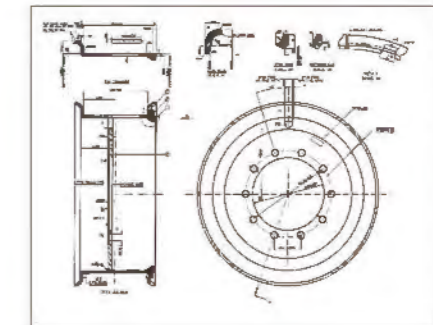
Marks: We have daily stocks for the wheel sizes in Yellow.





Wheels for construction and earthmover equipments in Multi pieces

Da	Wheel Size	Tire Size	Application
8"	4.33R-8	16x8-8	
	3.00D-8	5.00-8, 15"4 1/2-8	
	4.00E-9	6.00-9	
9"	6.00E-9	21x8-9	
	5.00F-10	7.50-10	
10"	6.50F-10	200/50-10	
	8.00G-12	27x10-12	
12"	5.00S-12	8.25-12	
	5.50-15	7.00-15	
	5.50-15	7.00-15	
	6.00-15	8.25-15	
	6.50-15	7.50-15	
	7.00-15	250-15	
	7.50-15	250-15	
	8.00-15	300-15	
	16.5-15	8.25-15	
	16.5-15	8.25-15	
	15-9.75/1.37	12.00-15	
	15-11.00/1.5	14.5-15	
15-11.50/1.5	SOLD TYRE		
16-8.00/0.83	11L-16		
16"	16.5-8.25/0.5	10-16.5	
	16.5-9.75/0.5	12-16.5NHS	
	16.5-9.75/0.7	12-16.5NHS	
	17.5-10.50/0.5	14-17.5NHS	
17.5"	18-9.00/1.0	12.5/80-18	
	20-7.00/1.7	9.00-20	
20"	20-7.50/1.7	10.00-20	
	20-8.0/1.7	11.00-20	
	20-8.5/1.7	12.00-20	
	20-9.00/1.7	13.00-20	
	20-10.00/1.7	14.00-20	
	20-10.00/1.88	SOLD TYRE	
	20-10.00/2.0	14.00-20	
	20-11.00/1.67	12.5-20	
	20-12.00/2.0	15.5-20	
	20-13.00/1.0	16/70-20	
	20-14.00/2.0	17.5-20	
	20-15.00/1.7	18L-20	
	20-15.30/2.0	500/70-508	
	20-20.50/1.7		
	20-26.00/1.7		
	21-11.25/2.0	SOLD TYRE	
21"	21-13.00/1.7		
	21-17.00/2.0	20.00-21	
	21-18.00/1.7	24.00-21	
22"	21-18.00/1.5	24.00R21	
	22-14.00/1.7		
23"	22-16.00/2.0		
	22-17.00/2.0		
	23-8.25/1.75	SOLD TYRE	
24"	23-11.00/1.5	14.00-23	
	23-18.00/2.0	24.00-23	
	24-8.00/1.7	13.00-24	SCOOPTRAM ST2D/ST2G; CAT 140G, GHH LF-5, SANDVIK LH205L, CAT 12M/120M,
	24-8.50/1.7	12.00-24	
	24-10.00/1.7	12-24; 14.00-24; 13.00R24	VOLVO G990
	24-11.25/2.0	16.00-24	
24-15.00/1.0	17.5-24		
24-16.00/1.1	19.5-24		



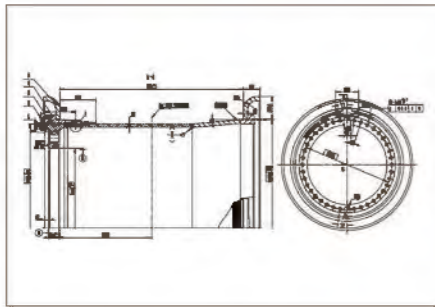
## WHEELS FOR CONSTRUCTION AND EARTHMOVER EQUIPMENTS IN MULTI PIECES

Wheels available for vehicles and plus





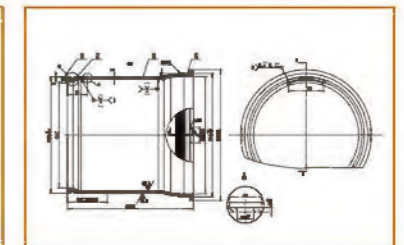
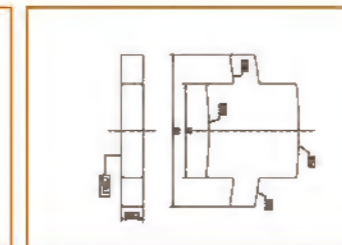
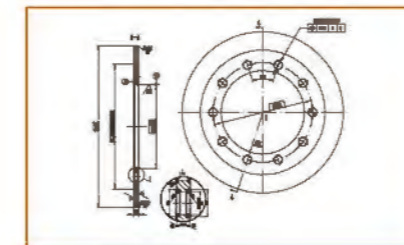
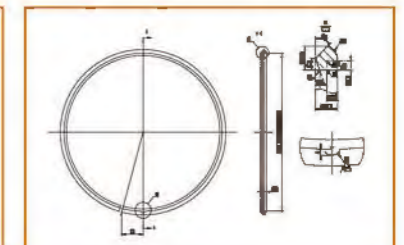
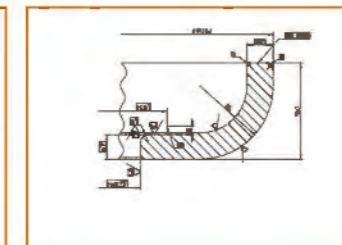
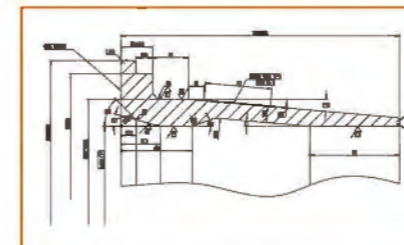
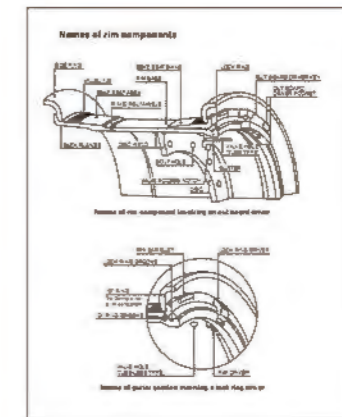
Wheels for construction and earthmover equipments in Multi pieces



Dia	Wheel Size	Tire Size	Application
25"	25-8.50/1.3	13.00-25	
	25-9.50/1.7	14.00R25	
	25-10.00/1.5	14.00-25	SANDVIK TH600,
	25-11.00/1.7		
	25-11.25/2.0	16.00-25	SANDVIK TH315
	25-12.00/1.3	15.50-25	
	25-13.00/2.5	18.00-25	SCOOPTRAM ST1000/ ST1000LP; GHH LF - 10LF - 11H;
	25-14.00/2.0	17.50-25	CAT IT18
	25-14.00/1.5	17.50-25	CAT 914G/R1300G/1400H/1500M; SCOOPTRAM ST3.5/ST7/STLP; GHH LF - 6; SANDVIK LH307/LH208L;
	25-15.00/3.0	21.00-25	
	25-17.00/1.7	20.50-25	CAT 930G/R1600H/930K/938K/926M/930M/938M; SANDVIK LH209L; KOMATSU GD705;
	25-17.00/2.0	20.50-25	CAT850H/CAT838G
	25-19.50/2.5	23.50-25	CAT 960G/950M/962M/964H ADT E801D; KOMATSU GD825; JOHN DEERE 524K/544K/624K;
	25-22.00/1.84	26.50-25	CAT R1700G; SCOOPTRAM ST14; GHH LF14;
	25-22.00/3.0	26.50-25	CAT R1700G; SCOOPTRAM ST14; GHH LF14; SANDVIK LH514E/TH430;
25-24.00/2.5	29.50-25		
25-25.00/3.5	29.50-25	CAT 980	
25-30.00/1.5	67 x 34.00-25		
25-36.00/1.5	24.00R35		
26"	26-16.00/1.1	18.4-26	
	26-20.00/1.1	23.1-26	
	27-21.50/2.4		
27"	27-23.50/2.5	57x25-27/50	
	27-24.50/2.4	26.00-27	
28"	28-15.00/1.0	16.9-28	
	29-17.00/3.5	24.00-29	
	29-22.00/3.0	26.50-29	
29"	29-24.00/3.5	776/65R29	VOLVO L150G/L180G
	29-25.00/3.5	29.5-29	CAT R2900/CAT AD45/CAT980/24M/
	29-27.00/3.5	33.25R29	VOLVO L220G
	33-13.00/2.5	18.00-33	KOMATSU HD325 - 7/HD405 - 7
	33-17.00/3.5	24.00-33	
33"	33-22.00/4.0	27.00-33	
	33-28.00/3.5	35/65-33	CAT 824; CAT 834; CAT 988
	33-32.00/4.5	37.5-33	CAT AD55R2900G/R3000H/989H/989K; GHH LF-20; SANDVIK LH821/TH651/TH663;
34"	34-14.00/1.3		
	34-14.00/1.3		
	34-16.00/1.5	53x18-34	
	35-15.00/3.0	21.00-35	TEREX TR45;
	35-17.00/3.5	24.00-35	CAT773/752; TEREX TR60/TR70; HITACHI EH1100 - 5; KOMATSU HD465 - 7/HD685 - 7;
	35-22.00/3.5	24.00-25	
	35-27.00/3.5	33.25-35	
	35-31.00/4.0	37.25-35	
39"	39-28.00/4.0	33.50-39	
	39-32.00/4.5	40/65-39	SANDVIK LH625E; CAT 990
45"	45-36.00/4.5	45/65R45	CAT 992K; KOMATSU WA800 - 3/ WA900 - 3
	49-17.00/3.5	24.00-49	CAT 772; CAT 773
49"	49-19.50/4.0	27.00-49	CAT 777; KOMATSU 765-7
	49-22.00/3.5	31/80-49	TEREX TR100; HITACHI EH1700 - 3; KOMATSU HD765 - 7
	51-22.00/3.0		CAT 785
	51-24.00/5.0	33.00-51	CAT 993K; CAT785D; KOMATSU HD1500-7
51"	51-26.00/5.0	36.00-51	CAT 789C
	51-28.00/4.5	50/65R51	CAT993K
	51-40.00/4.5	50/60-51	CAT785C; KOMATSU HD1500 - 7
	57-27.00/6.0	37.00R57	CAT 788D; HITACHI EH5000AC - 3; KOMATSU 730E
	57-28.00/6.0	40.00R57	CAT793; CAT796; KOMATSU 830E
57"	57-32.00/6.0	46/90-57	HITACHI EH4000AC-3
	57-34.00/6.0	50/90-57	
	57-36.00/6.0	50/80-57	KOMATSU 860E; CAT 994
	57-44.00/6.0	55.5/80-57	CAT994K
	57-47.00/6.0	60/80R57	KOMATSU WA1200-5
	63-36.00/5.0	53/80R63	CAT797; HITACHI EH5000AC - 3
	63-38.00/5.0	53/80R63	KOMATSU 930E
63"	63-41.00/5.0	56/80R63	KOMATSU 960E; CAT 797
	63-44.00/5.0	59/80R63	CAT 797F; CAT796F; LIEBHERR T264; LIEBHERR T282C; LIEBHERR T284

Component	Rim Diameter	Weight(KG)
3-Piece Rim Components Side Flange	20	15.3
	24	8.6
	24	16.6
	25	16
	25	24.8
	25	19.1
3-Piece Rim Components Lock Ring	32	23.1
	20	2
	24	2.4
	24	2.4
	25	2.5
	25	2.5
5-Piece Rim Component Side Flange	32	2.6
	25/1.5	10
	25/2.0	12
	25/2.5	20
	25/3.0	25
	25/3.5	30
	29/3.0	26
	29/3.5	35
	33/2.5	26
	33/3.5	39
	33/4.0	54
	33/4.5	63
	35/3.0	35
	35/3.5	42
	35/4.0	58
	39/4.0	65
	39/4.5	74
	45/4.5	85
49/3.5	73	
49/4.0	121	
51/4.5	111	
51/5.0	163	
57/6.0	205	
5-Piece Rim Components Lock Ring	25	5.5
	29	6.4
	33	7.3
	35	7.8
	39	8.8
	45	9.5
5-Piece Rim Components Bead Seal Bands	49	13.5
	51	42.9
	57	48
	63	52.6
	25	26
	25	32
29	36	
33	42	
35	45	
39	50	
45	58	
49	74	
51	137	
57	153	
63	227.7	

Wheel components (semi-produced)







## Information of MULTISTAR wheels

## Information of MULTISTAR wheels

### Glossary and information

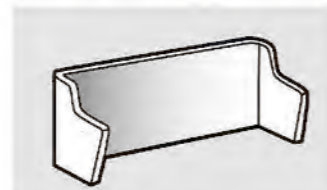
- 8.00x15,5** Rim 8 " in width and 15,5 " in diameter.
- W12x24** Rim without drop centre.
- DW20Ax34** Rim with drop centre a high rim flange (A). The disc is welded into the drop centre.
- DW18Lx38** Rim with drop centre a low (L). The disc is welded into the drop centre.

#### Valve Guard

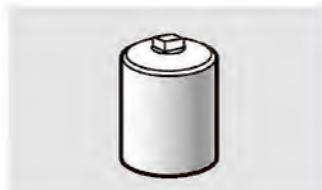
Valve guard is used when there is a risk that the valve will be damaged.



Valve guard, type V1. Normal area of application is on wheels intended for use in agriculture. V1 valve guard fits rims up to 26,5" .



Valve guard, type V2. Fits wheels of 30" in diameter and upwards. Its normal area of application is on rims intended for use in agriculture. This type of valve guard is necessary if a Savsjo dualmounting is being used.



Valve guard, type V3. To be used when there is a greater possibility of impact. This style of valve guard fits all forestry and agricultural wheels. Its normal area of application is on forestry and construction equipment.

#### Reinforcement



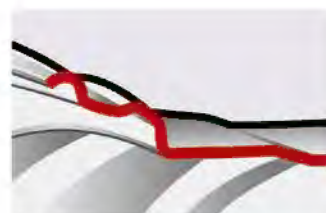
**Round bar reinforcement (R1)**  
This protects the rim edge against impact and damage, and makes it possible for the rim to carry a larger load.



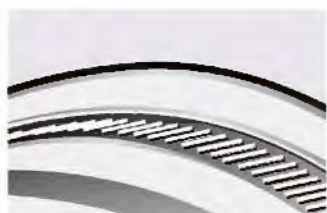
**Box reinforcement (R2)**  
Protects against impact. In addition, the inside of the rim has a design that prevents dirt and mud from collecting and sticking. This reinforcement produces an extremely strong rim – suitable for the toughest jobs.



**Flat bar reinforcement (R3)**  
Protects the edge from impact and damage, this reinforcement can be used in several tough conditions.

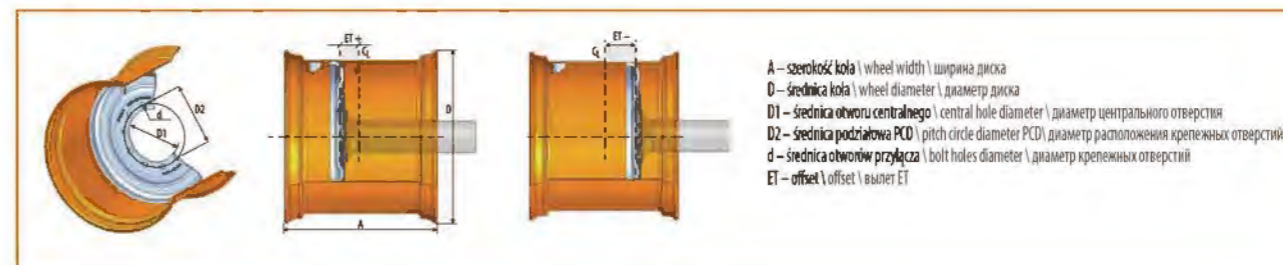


**Hump**  
An extra bend just inside the bead seat. The hump facilitates driving at low air pressure, holding the tyre in place.

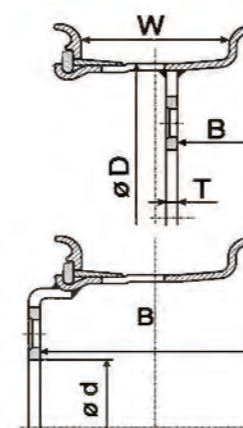


**Knurling**  
The grooved section on the rim where the tyre bead rests on a 5° and 15° rim. The purpose of knurling is to counteract the tendency for the tyre to slip on the rim.

### OFFSET

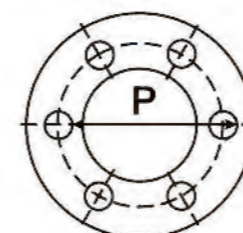


### SPECIAL ORDER FORM



#### WHEEL SPECIFICATIONS

Company: \_\_\_\_\_  
 Wheel size (WxØD): \_\_\_\_\_ with rings  
 \_\_\_\_\_ without rings  
 Wheel Manufacturer: \_\_\_\_\_ Parm\* : \_\_\_\_\_  
 Tire size: \_\_\_\_\_ solid tire  
 \_\_\_\_\_ pneumatic tire  
 Vehicle Brand: \_\_\_\_\_ Model: \_\_\_\_\_  
 Thickness of the disc T: \_\_\_\_\_ mm  
 Centre bore diameter Ø d: \_\_\_\_\_ mm  
 Position of the disc B: \_\_\_\_\_ mm (or Offset: ± \_\_\_\_\_ mm)

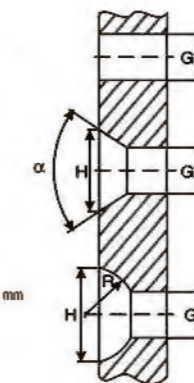


Pitch Circle Diameter:  
 P: \_\_\_\_\_ mm or F: \_\_\_\_\_ mm

Stud holes:  
 Number of stud holes: \_\_\_\_\_  
 Stud hole diameter G: \_\_\_\_\_ mm

With counter sink:  
 Counter sink diameter H: \_\_\_\_\_ mm

Conical α: \_\_\_\_\_ ° Spherical R: \_\_\_\_\_ mm  
 one side  two sides



REMARKS: \_\_\_\_\_  
 \_\_\_\_\_  
 \_\_\_\_\_

Standard	d2	d3	t	According to EUWA
1	18.5	24	14	B14 DS 28/B14 ES 28
2	21.5	27	16	B18 DS 32/B18 ES 32
3	27	32	18	B22 DS 36/B22 ES 36
4	20.5	25	14	
5	32.15	37	22.2	B19 DS 44.4/B19 ES44.4
6	14		14	
7	15.5		14	
8	18.5		14	
9	20		14	
10	21		14	
11	20		12	
12	16	20	12	
26	15	20	13	
31	37	43	25	
33	26	32	18	M22 DS 36/M22 ES 36
34	29	34	22	

Standard	d2	d3	α	According to EUWA
13	14	19.8	60°	
14	16	19.8	60°	
15	16	22	90°	
16	14.2		60°	
17	25.4	31.5	80°	B23 DC 80/B23 EC 80
18	18.5		60°	
19	16.8		60°	
20	28.6	36	90°	
21	21.5	27	90°	
22	12		80°	
23		17	90°	
24	13	16	90°	
25	10.5		60°	
37	26	31.5	80°	
38	16.3		90°	M23 DS 80/M23 ES 80



## Information of MULTISTAR wheels

### SAFETY & MOUNTING RECOMMENDATIONS

It is important to handle wheels with maximum care, and pay special attention to its safe usage, mounting, demounting and service. Users have to follow all conditions and norms according to industry, national and international regulations. As J&G we will try to point out just those which we consider as the most common and important.

Before servicing, disc wheels have to be checked for following possible damages:

1. Cracks on the disc and/or rim
2. Asymmetric shape of disc contact surface
3. Deformed (damage, burr, excessive corrosion etc) stud holes
4. Deformed (damage, burr, excessive corrosion etc) flange
5. Excessive corrosion
6. Excessive wear
7. Damaged rings of multi-piece wheels.

Using wheels/components under these conditions is strictly forbidden. Damaged parts should be replaced.

While mounting the wheel on a hub you have to ensure that all surfaces are clean, free from rust and deposits. Elements of different mounting types should not be confused, since this may result in loss of torque, disc surface cracks, bolts and studs damage, and loss of wheel. Applied torque level should correspond to instructions of vehicle manufacture. Nuts installation has to be done crosswise, with gradual increase of torque level. Tightening of nuts on the wheel has to be checked 100km after first installation and regularly during usage.

Mounting and demounting of tire on the wheels has to be done by qualified personnel in well-equipped service points, according to specifications and procedures stipulated by ETRTO, TRA and other industry, national and international regulations. You have to ensure that all surfaces are clean, free from rust and deposits. It is crucial to match properly wheel and tire sizes according to above mentioned standards and recommendations of the vehicle manufacturer. Mismatch can result in serious damages and injuries. Diameter shown on the tire should exactly match the diameter stamped on the rim/wheel. Tires must be completely deflated before demounting wheel, or components of the wheel from the vehicle. Avoid standing in front of multi-piece wheels during assembly; damaged components might spring off.

Mixing components of various manufactures may result in fatal injuries, therefore only matching parts of one manufacture and one wheel system can be assembled.

Repair of steel wheels is strictly prohibited.

Especially dangerous is:

1. Welding of rims or wheels
2. Repair of damaged stud holes
3. Repair of deformed center hole
4. Straightening of disc contact surface
5. Straightening of rim flanges

### WARRANTY POLICY

J&G warranties that delivered goods are free from defects in materials and workmanship and are produced according to provided technical documentation.

The buyer should examine goods immediately upon receipt and advise Seller, in writing, of any discrepancy in terms of numbers or quality. Failure to advise Seller within 10 days would presume goods to be acceptable.

Normal wear is not covered under warranty. The warranty also does not cover damage resulting from improper handling of products, for example overloading above the capacities specified or violating standards stipulated by ETRTO (European Tyre and Rim Technical Organization) and TRA (Tire & Rim Association) or using tires which do not correspond to both standards.

J&G has no obligation under warranty for goods if they were modified, or processed (including welding of disc to rim, drilling of stud holes, mechanical processing of surface, etc.). Repair of steel wheels and their components is strictly prohibited.

J&G has no obligation under warranty for goods if spare parts produced by other manufacturers are used with them.

The onus for submitting a claim together with corroborative evidence is the sole responsibility of the Buyer. This includes: proving presence of defect itself on exact J&G products, the fact that defect appeared within warranty period of exact products, the fact that notification of defect was sent on time. Under request of J&G, the Buyer should be able to provide proof that products were working according to conditions recommended by ETRTO, TRA and/or J&G.

J&G warranties that proven defects will be corrected either through replacement of goods or through compensation of their EXW price at the moment of initial delivery of goods.

The Buyer is obligated to store in good conditions all claimed wheels and to provide samples of defective wheels or wheels which are deemed to be claimed by the Buyer upon request from J&G.

### Our products range:

Wheel assemblies / Tires / Rims / More

### More optimum solutions:

-Axles:

Low speed braked axles/stub axles  
Low speed unbraked axles/stub axles

-Boggies and Suspensions

-Butyle tubes:

Dia. 10" -24.5" for Truck and Bus tyres  
Dia. 8" -48" for Agricultural tractor and implement tyres  
Dia 20" -35" for OTR tyres

-Valves:

Bus & Heavy-duty truck valves  
Agricultural tractor and implement valves  
Off the Road valves  
Valve accessories

-Rubber Track

for Harvesters  
for Loaders, Trenchers, Skid steers, Excavators etc

-Rubber O-rings

Dia. 24" , 25" , 29" , 33" , 35" , 39" , 45" , 49" , 51" , 57" , 63"

### Our own brands:



### Our other brands:



### Our exclusive partner brands (China):



## Exhibition



- ① Agritechnica 2013 in Germany
- ② Kiemsta 2014 in S. Korea
- ③ EIMA 2014 in Italy
- ④ Bauma 2013 in S. Africa
- ⑤ Mining 2013 in Indonesia
- ⑥ Canada's Farm Progress 2015 in Canada
- ⑦ Agritechnica 2015 in Germany
- ⑧ Lamma 2017 in UK

## Sales Network



- |                        |                 |                                   |
|------------------------|-----------------|-----------------------------------|
| 1. Afghanistan         | 27. Honduras    | 56. Paraguay                      |
| 2. Algeria             | 28. Iceland     | 57. Peru                          |
| 3. Argentina           | 29. India       | 58. Philippines                   |
| 4. Australia           | 30. Indonesia   | 59. Poland                        |
| 5. Belgium             | 31. Iran        | 60. Portugal                      |
| 6. Benin               | 32. Ireland     | 61. Puerto Rico                   |
| 7. Bolivia             | 33. Italy       | 62. Saudi Arabia                  |
| 8. Brazil              | 34. Jamaica     | 63. Singapore                     |
| 9. Brunei              | 35. Japan       | 64. Spain                         |
| 10. Cameroon           | 36. Kazakhstan  | 65. Sri Lanka                     |
| 11. Canada             | 37. Kenya       | 66. South Korea                   |
| 12. Chile              | 38. Kyrgyzstan  | 67. South Africa                  |
| 13. Colombia           | 39. Kuwait      | 68. Sweden                        |
| 14. Costa Rica         | 40. Lebanon     | 69. Tanzania                      |
| 15. Cyprus             | 41. Liberia     | 70. Thailand                      |
| 16. Denmark            | 42. Lithuania   | 71. Trinidad and Tobago           |
| 17. Dominican Republic | 43. Luxembourg  | 72. United Arab Emirates (U.A.E.) |
| 18. Ecuador            | 44. Malaysia    | 73. United States America (USA)   |
| 19. Egypt              | 45. Mauritius   | 74. United Kingdom                |
| 20. Ethiopia           | 46. Mexico      | 75. Uruguay                       |
| 21. France             | 47. Myanmar     | 76. Venezuela                     |
| 22. Finland            | 48. New Zealand | 77. Vietnam                       |
| 23. Germany            | 49. Netherlands | 78. Yemen                         |
| 24. Greece             | 50. Nicaragua   |                                   |
| 25. Guatemala          | 51. Nigeria     |                                   |
| 26. Haiti              | 52. Norway      |                                   |
|                        | 53. North Korea |                                   |
|                        | 54. Pakistan    |                                   |
|                        | 55. Panama      |                                   |

